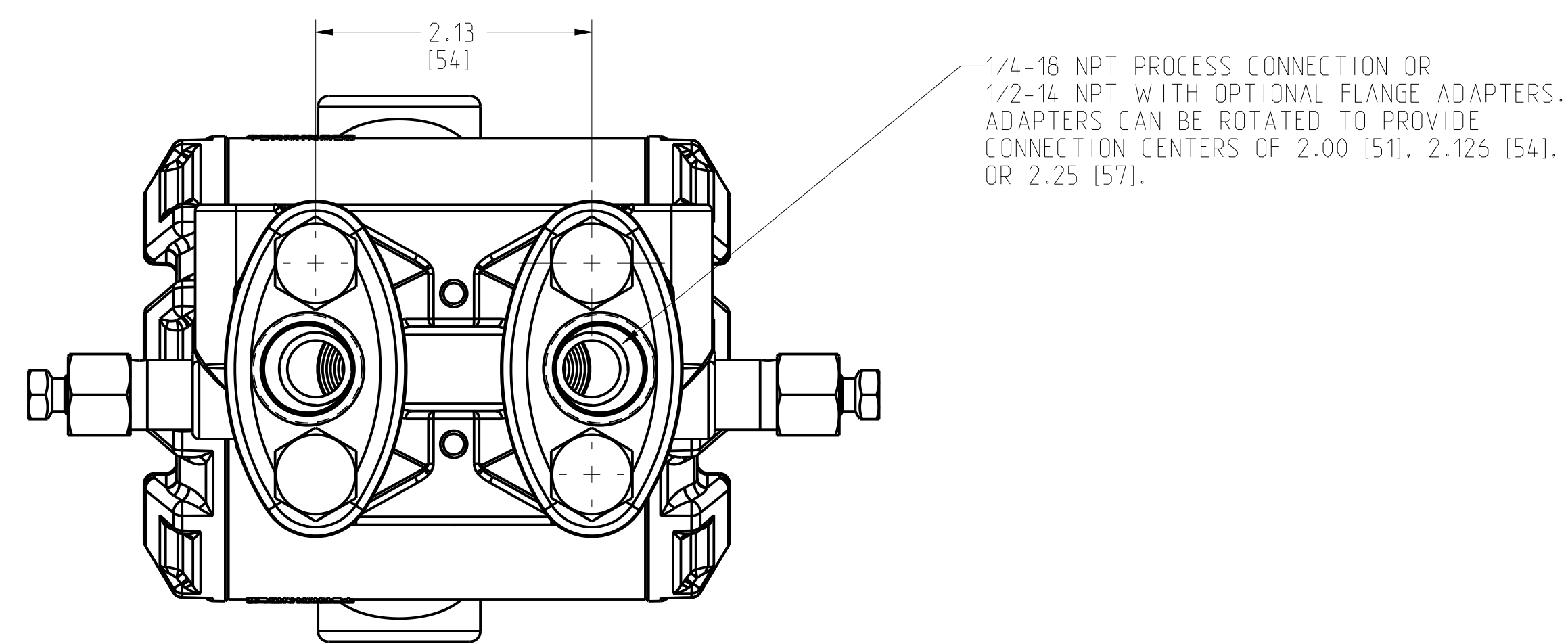
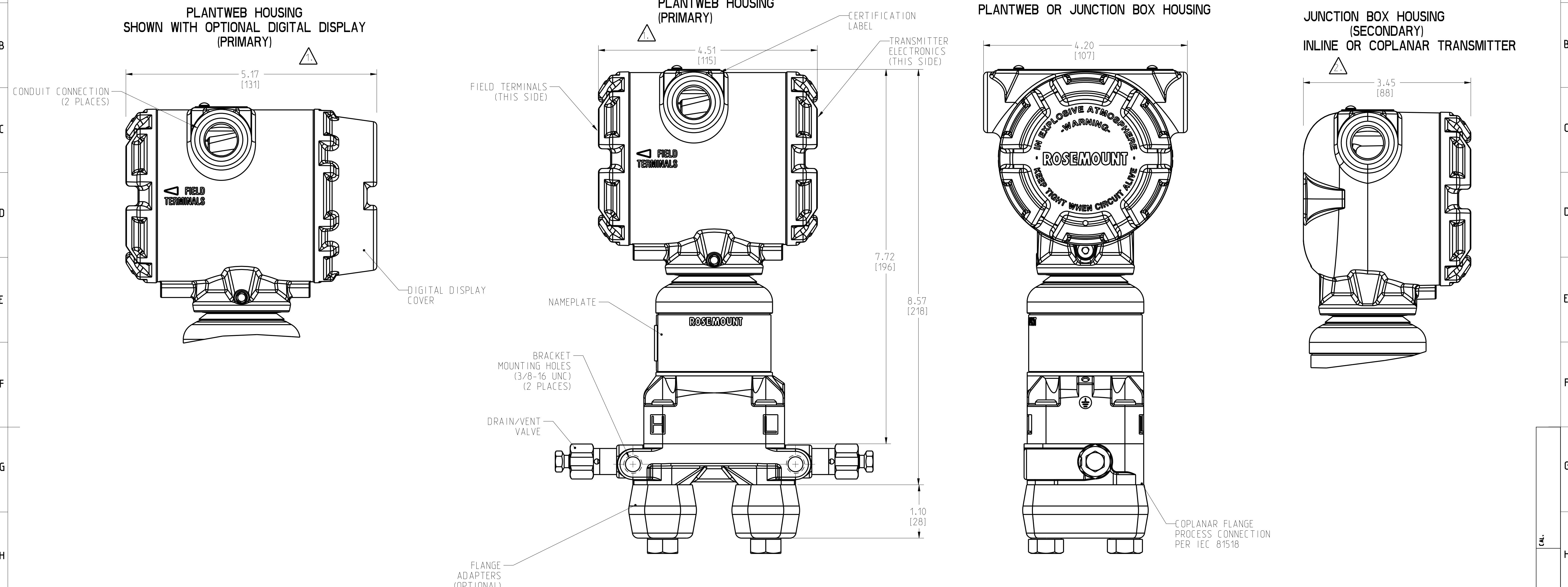


ROSEMOUNT 3051SAM SCALABLE PRESSURE TRANSMITTER COPLANAR FLANGE PROCESS CONNECTION

REVISION TABLE			
REVISION	ECD NO.	APP'D	DATE
AA	RTC1056505	PF	3/8/13
DESCRIPTION			
PRODUCE PRO-E FOR 3051SAM ERS			



SEE DRAWINGS 03151-6000 AND 03151-6001 FOR MOUNTING CONFIGURATIONS AND DIMENSIONS. SEE MANIFOLD DRAWINGS FOR MOUNTING DIMENSIONS AND CONFIGURATIONS WITH COPLANAR AND INLINE MANIFOLDS.

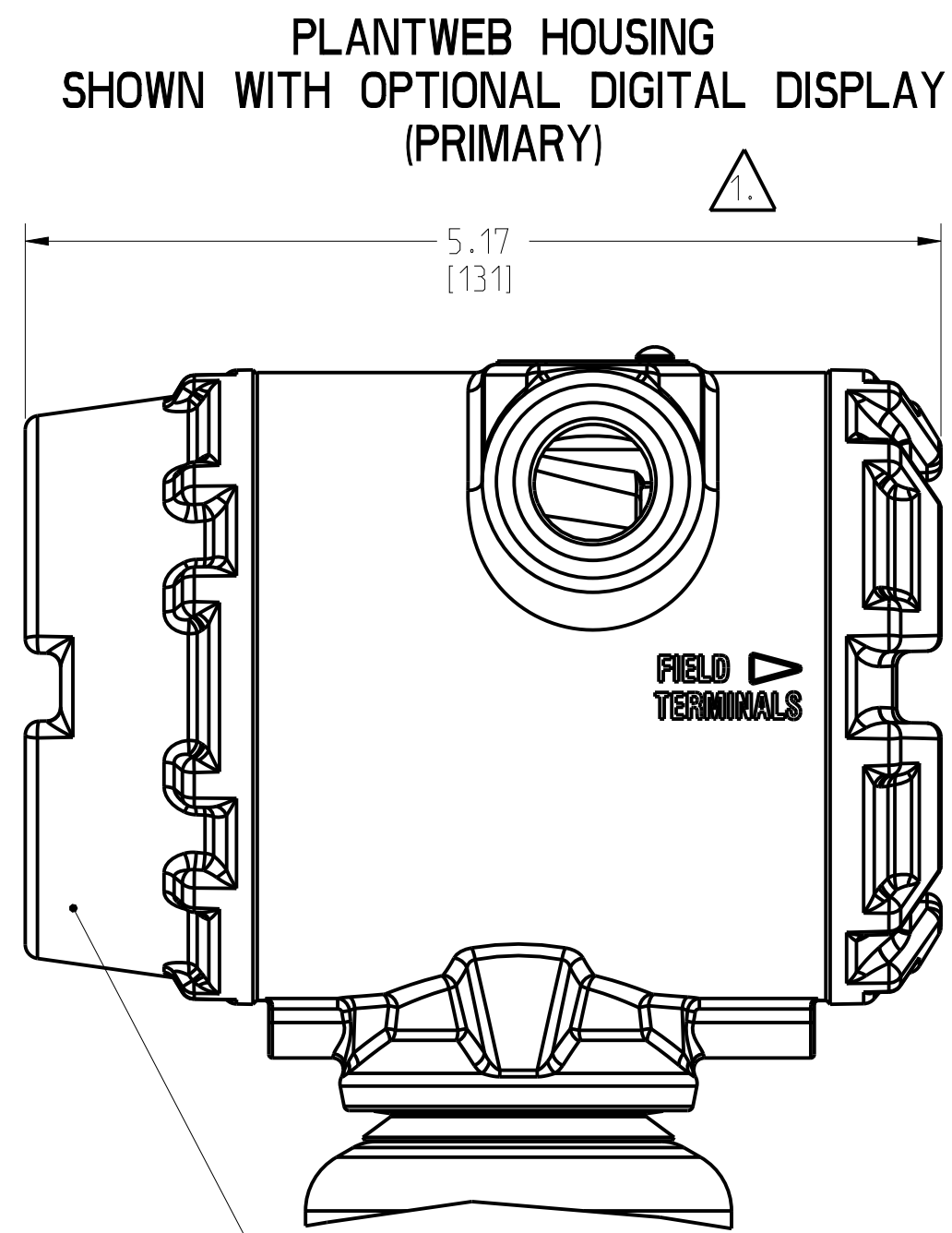
- 1. THE 3051SAM ERS PRIMARY TRANSMITTER WILL HAVE PLANTWEB HOUSING UNLESS REMOTE DISPLAY IS INCLUDED. WHEN A REMOTE DISPLAY IS INCLUDED THE PRIMARY WILL HAVE A JUNCTION BOX HOUSING.
- 2. THE 3051SAM ERS SECONDARY TRANSMITTER WILL ALWAYS HAVE A JUNCTION BOX HOUSING.
- 3. THE 3051SAM REMOTE DISPLAY (WHEN APPLICABLE) WILL ALWAYS HAVE PLANTWEB HOUSING. SEE PAGE 7.

NOTES:
 1. ROSEMOUNT INC. CERTIFIES THIS DRAWING IN ACCORDANCE WITH ROSEMOUNT ENGINEERING SPECIFICATIONS AND ACCURATELY REPRESENTS THE EQUIPMENT FURNISHED.
 2. .75 (19) IS REQUIRED FOR CLEARANCE TO REMOVE COVERS (EACH SIDE)

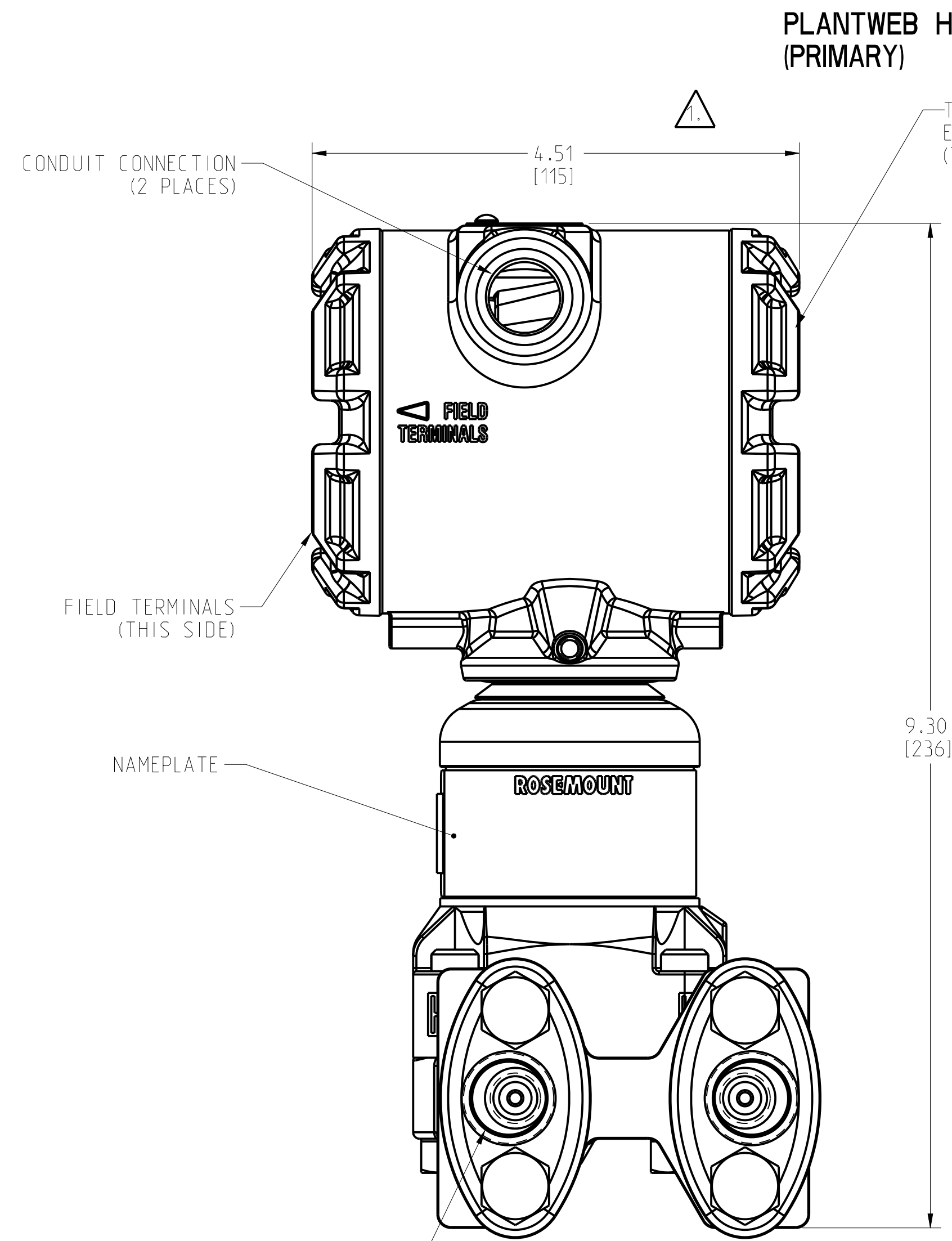
UNLESS OTHERWISE SPECIFIED CONNECTIONS AND DIMENSIONS INFORMATION IS CONTAINED HEREIN AND MUST BE HANDLED ACCORDING EMERSON	CUSTOMER	3RD ANGLE	SIZE	SCALE	REV
	CUSTOMER DWG NO.		D	1/2	AA
	P.O. No.				
	S.O. No.				
PROJECT NAME	DR. JLA 3/8/13	DRAWING NO.	03151-7001		
	APP'D PF 3/8/13				
DO NOT SCALE PRINT CAD MAINTAINED. (PRO/E) PRODUCT CODE		DOC TYPE D		SHEET 1 OF 7	

TAG NO. 03151-7001
 DRAWING NO.

ROSEMOUNT 3051SAM SCALABLE PRESSURE TRANSMITTER TRADITIONAL FLANGE PROCESS CONNECTION



DIGITAL DISPLAY COVER



CONDUIT CONNECTION (2 PLACES)

FIELD TERMINALS (THIS SIDE)

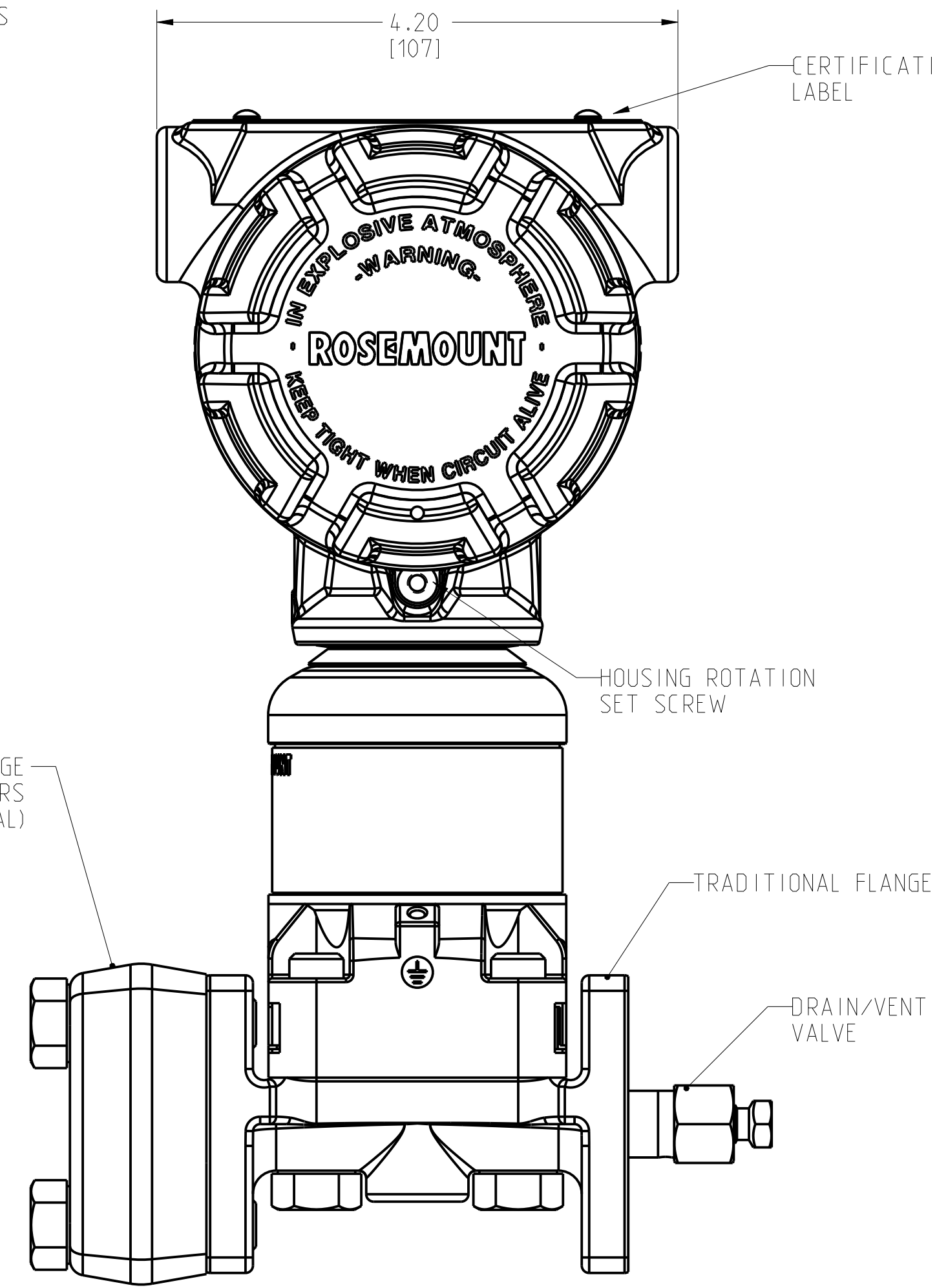
NAMEPLATE

PLANTWEB HOUSING (PRIMARY)

TRANSMITTER ELECTRONICS (THIS SIDE)

9.30 [236]

FLANGE ADAPTERS (OPTIONAL)



CERTIFICATION LABEL

HOUSING ROTATION SET SCREW

TRADITIONAL FLANGE

DRAIN/VENT VALVE

JUNCTION BOX HOUSING (SECONDARY)
INLINE OR COPLANAR TRANSMITTER

3.45 [88]

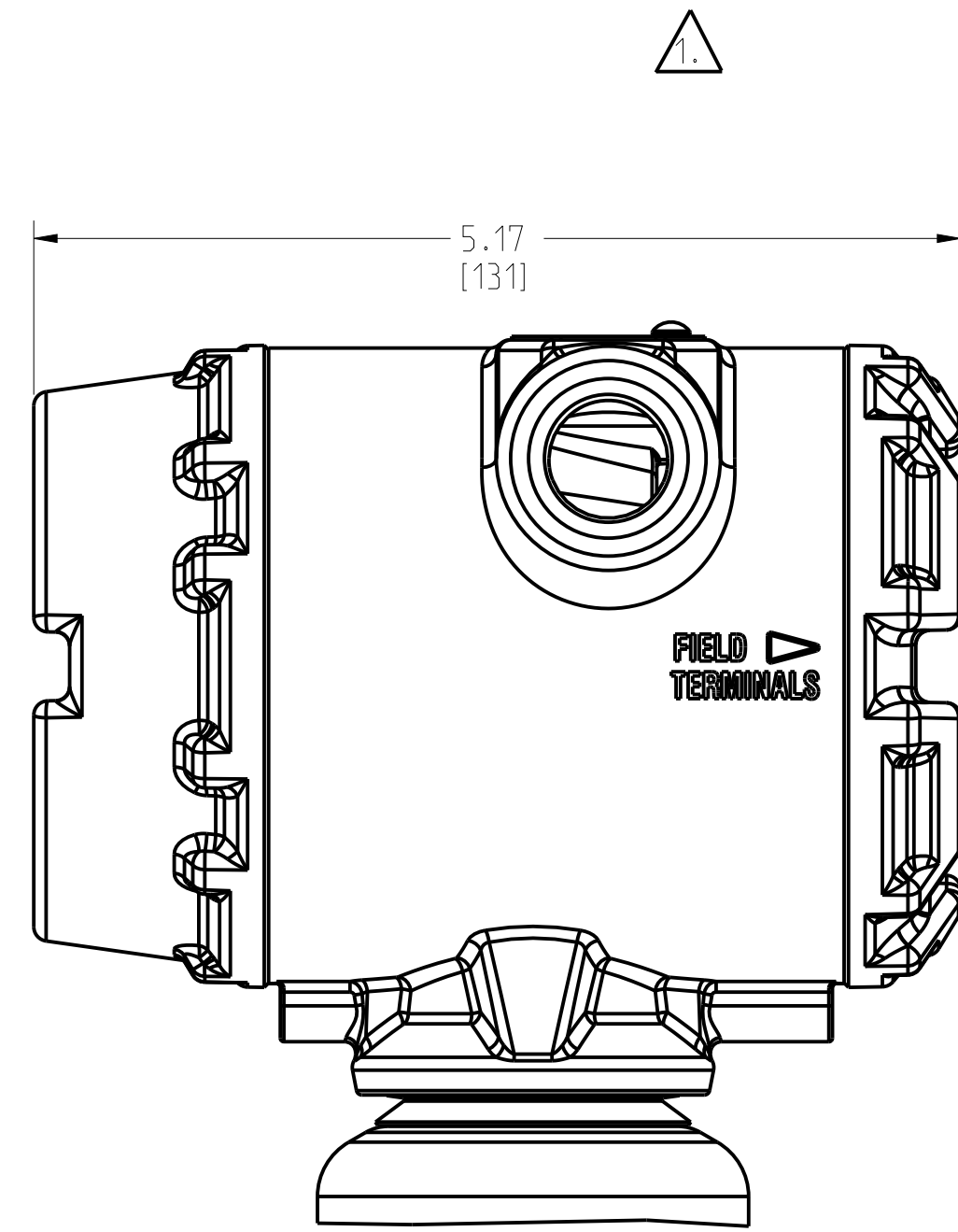
1/4-18 NPT PROCESS CONNECTION OR 1/2-14 NPT WITH OPTIONAL FLANGE ADAPTERS. ADAPTERS CAN BE ROTATED TO PROVIDE CONNECTION CENTERS OF 2.00 [51], 2.126 [54], OR 2.25 [57].

<small>UNLESS OTHERWISE SPECIFIED CONNECTIONS AND PRESSURE RATING INFORMATION IS CONTAINED HEREIN AND MUST BE HANDLED ACCORDINGLY. EMERSON</small>	CUSTOMER	3RD ANGLE	SIZE	SCALE	REV
	CUSTOMER DWG NO.		D	1/2	AA
	P.O. No.	EMERSON Process Management ROSEMOUNT®			
	S.O. No.	TITLE 3051SAM ERS PRESSURE TRANSMITTER			
PROJECT NAME	DR. JLA 3/8/13	DRAWING NO.		03151-7001	
	APP'D PF 3/8/13				
DO NOT SCALE PRINT CAD MAINTAINED. (PRO/E) PRODUCT CODE			DOC TYPE D		SHEET 2 OF 7

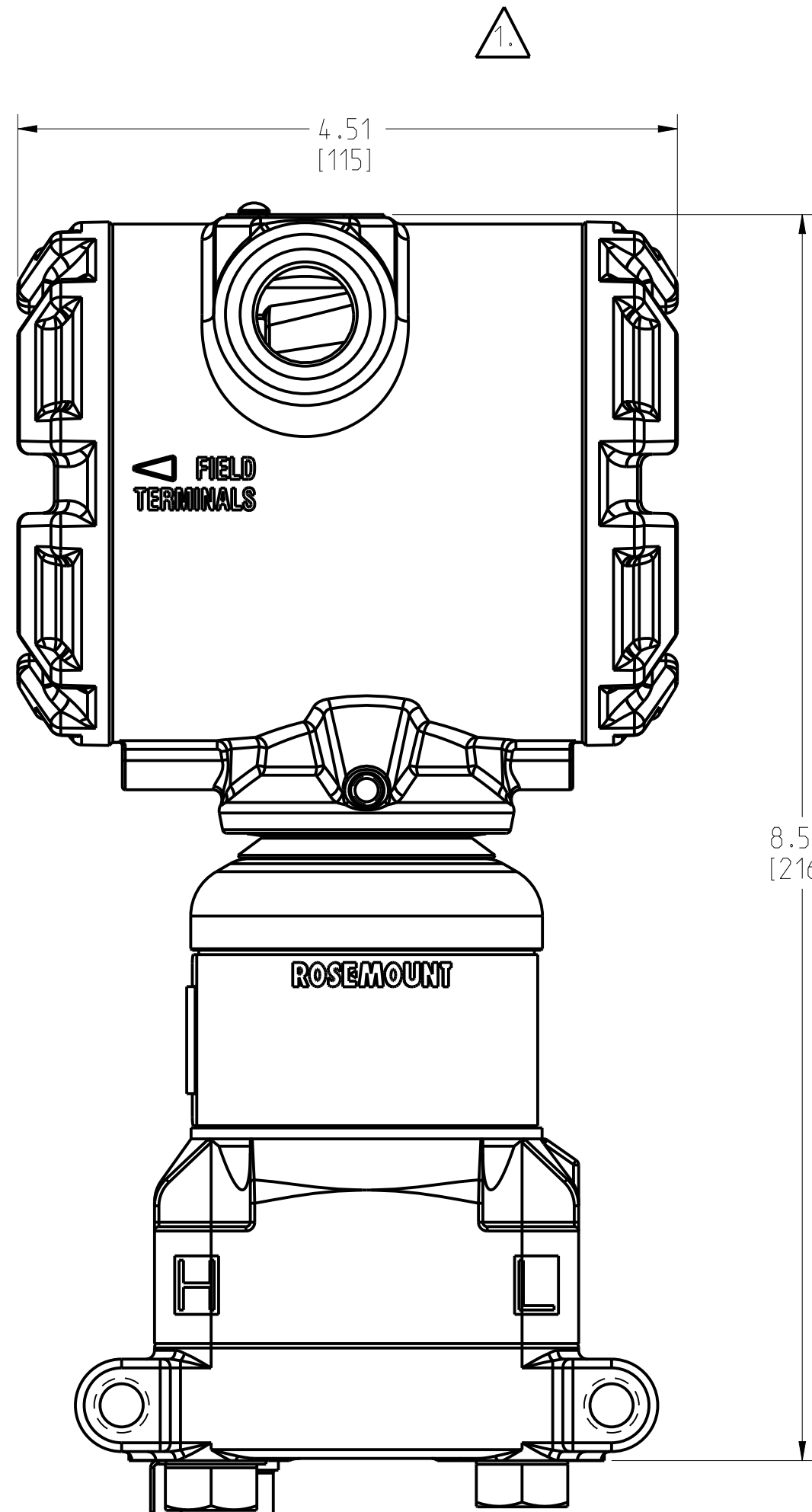
DRAWING NO. 03151-7001 TAG NO. CAL.

ROSEMOUNT 3051SAM PRESSURE TRANSMITTER COPLANAR FLANGE
 PROCESS CONNECTION WITH CAPILLARY AND DIRECT MOUNT SEALS

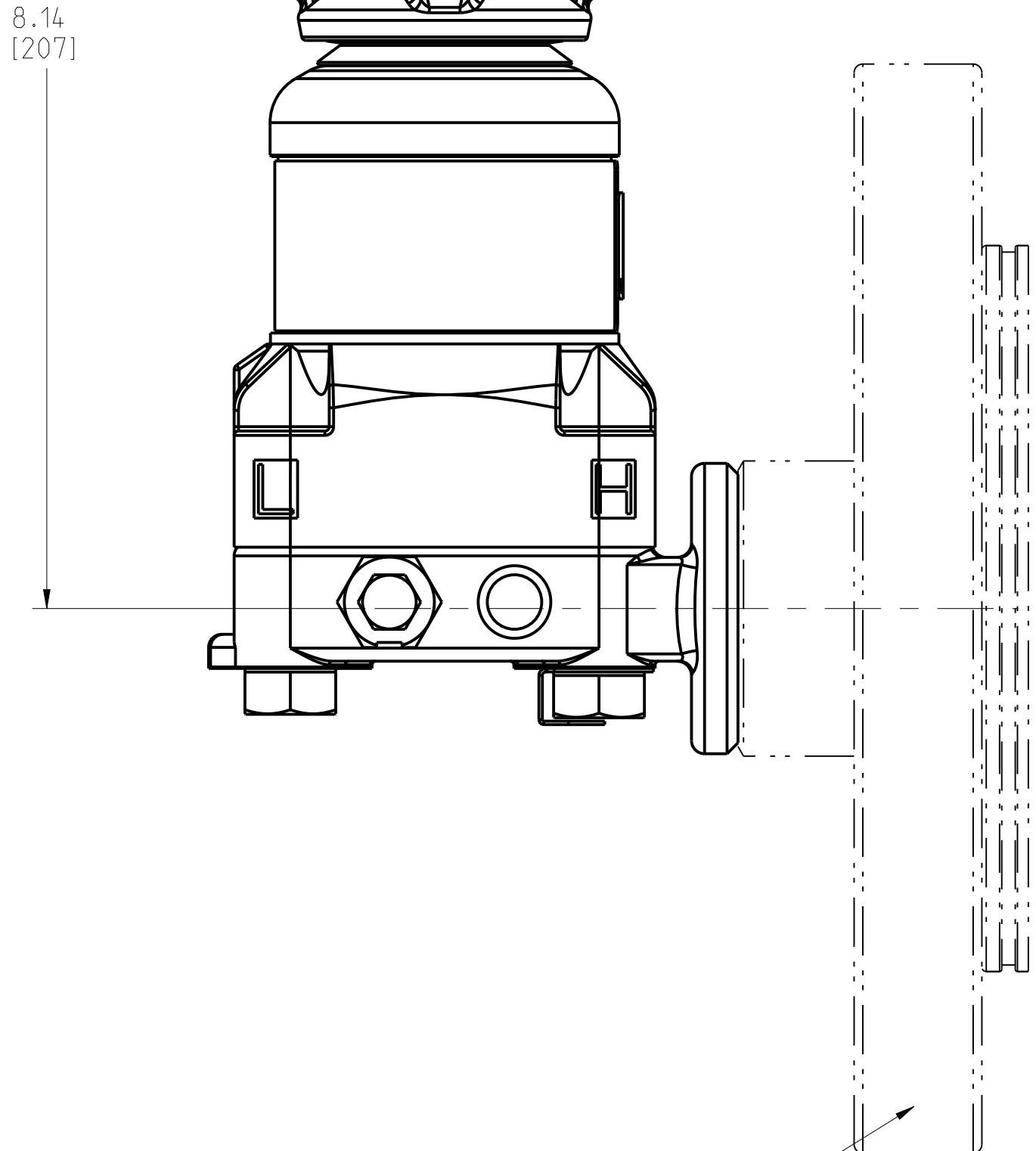
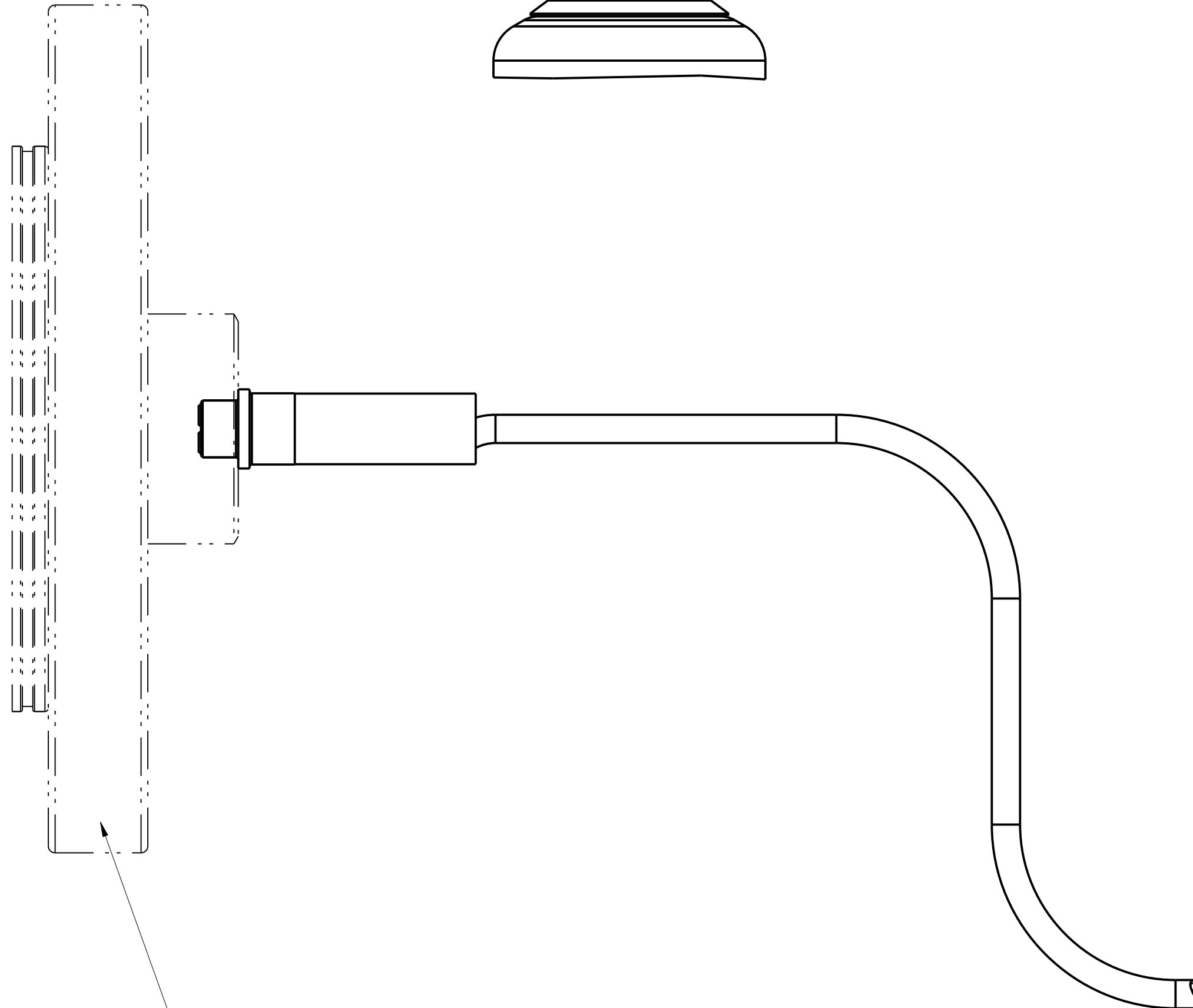
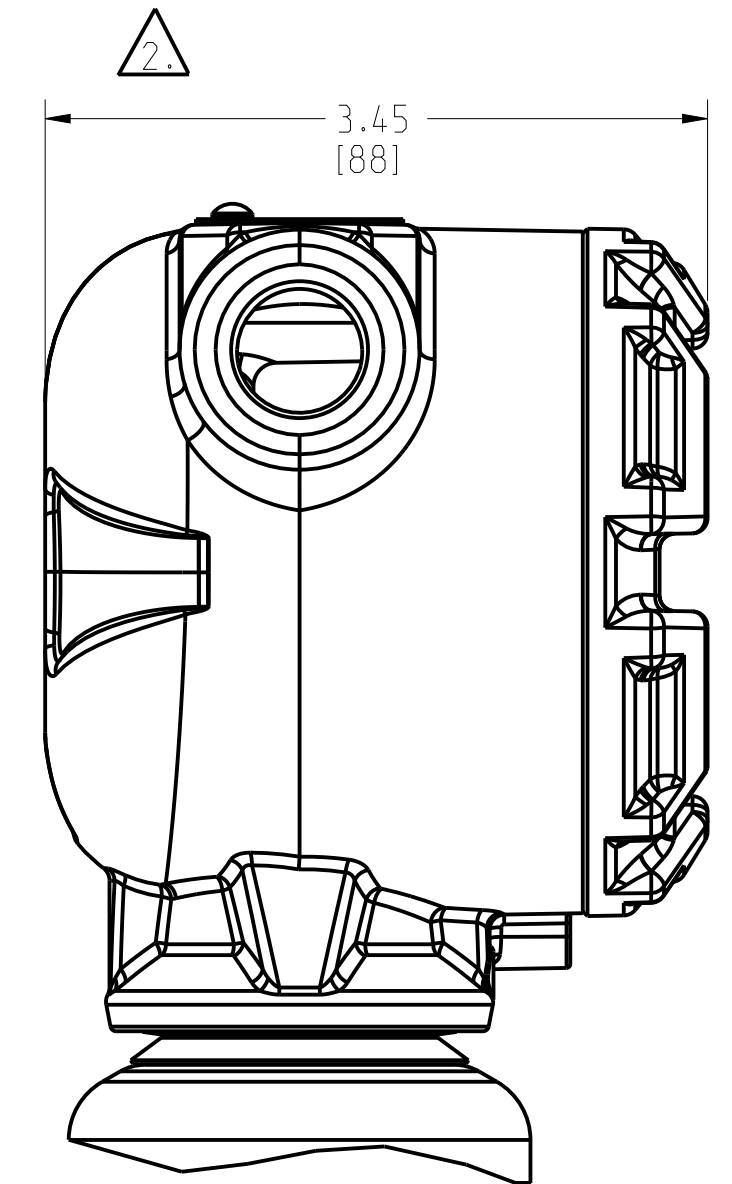
PLANTWEB HOUSING
 SHOWN WITH OPTIONAL DIGITAL DISPLAY
 (PRIMARY)



PLANTWEB HOUSING
 (PRIMARY)



JUNCTION BOX HOUSING
 (SECONDARY)
 INLINE OR COPLANAR TRANSMITTER



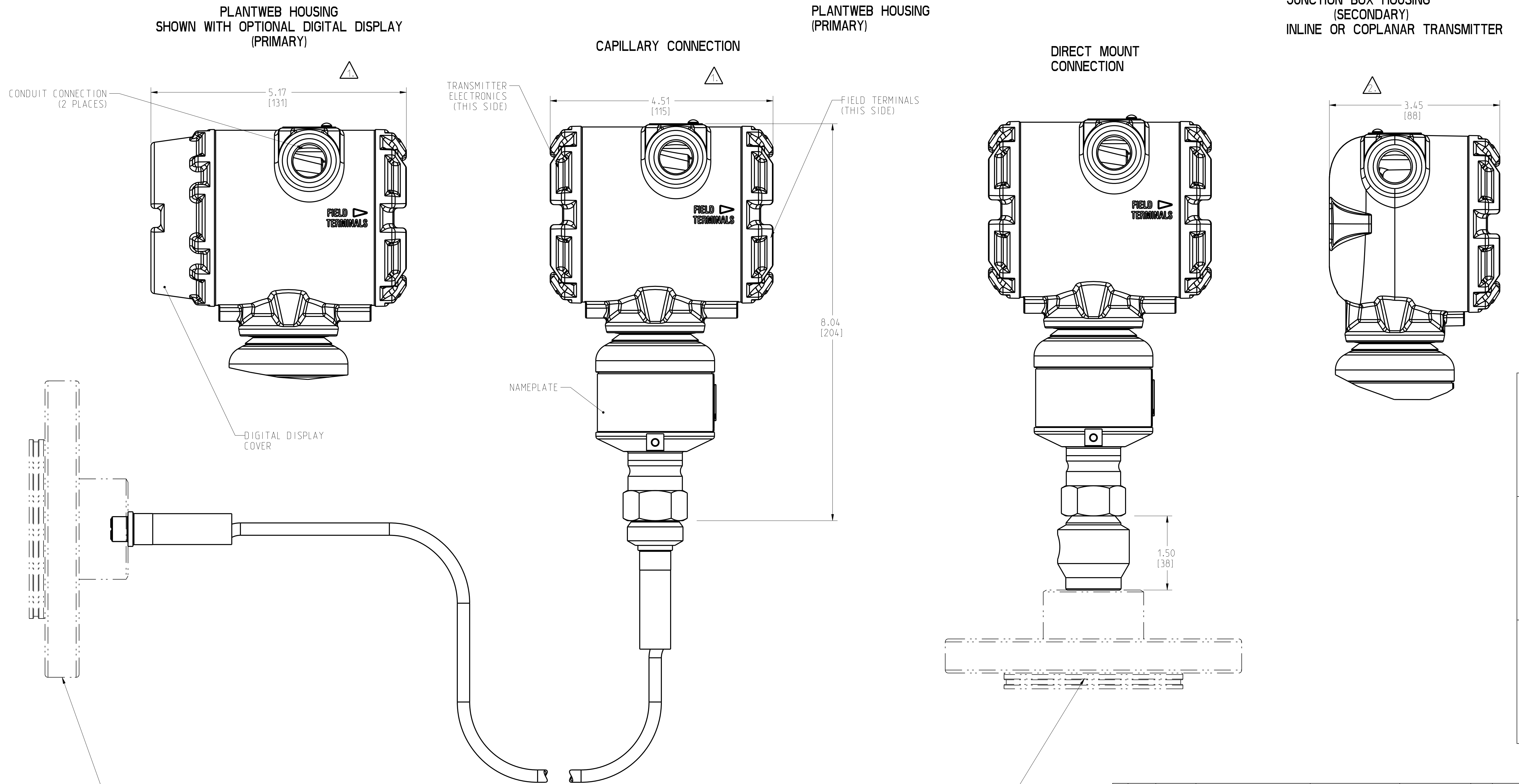
SEE 01199-9500 SEAL TYPE 1 DRAWING FOR THE SPECIFIC DIMENSIONS ON THE AVAILABLE SEALS. ALL SEALS AVAILABLE ON THE LOW SIDE.

SEE 01199-9500 SEAL TYPE 1 DRAWING FOR THE SPECIFIC DIMENSIONS ON THE AVAILABLE SEALS. ALL SEALS AVAILABLE ON THE LOW SIDE.

UNLESS OTHERWISE SPECIFIED CONVERSION AND DIMENSIONAL INFORMATION IS CONTAINED HEREIN AND MUST BE HANDLED ACCORDINGLY. EMERSON INFORMATION WITHIN THIS DOCUMENT IS INTENDED FOR ENGINEERING USE. REFERENCE TO THIS DOCUMENT SHALL BE MADE TO THE APPROPRIATE EMERSON ENGINEERING INFORMATION.	CUSTOMER	3RD ANGLE	SIZE	SCALE	REV
	CUSTOMER DWG NO.		D	1/2	AA
	P.O. No.	EMERSON Process Management ROSEMOUNT®			
	S.O. No.	TITLE 3051SAM ERS PRESSURE TRANSMITTER			
PROJECT NAME	DR. JLA	3/8/13	DRAWING NO.		
	APP'D PF	3/8/13	03151-7001		
DO NOT SCALE PRINT CAD MAINTAINED. (PRO/E) PRODUCT CODE			DOC TYPE D		SHEET 3 OF 7

DRAWING NO. 03151-7001
 TAG NO. CAL.

ROSEMOUNT 3051SAM PRESSURE TRANSMITTER IN-LINE
 PROCESS CONNECTION WITH CAPILLARY AND DIRECT MOUNT SEALS



SEE 01199-9500 SEAL TYPE 1 DRAWING FOR THE SPECIFIC DIMENSIONS ON THE AVAILABLE SEALS. ALL SEALS AVAILABLE ON THE LOW SIDE.

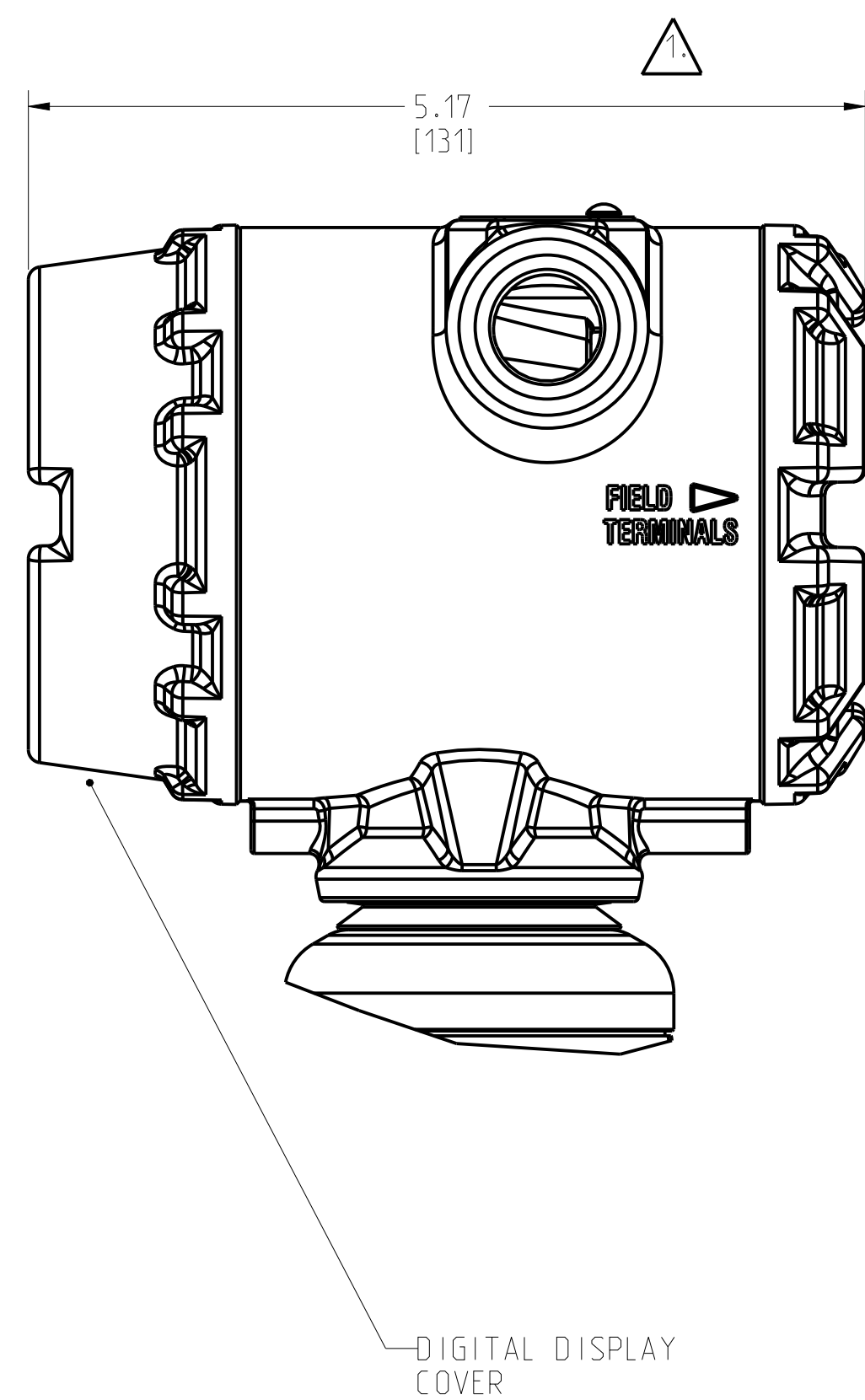
SEE 01199-9500 SEAL TYPE 1 DRAWING FOR THE SPECIFIC DIMENSIONS ON THE AVAILABLE SEALS. ALL SEALS AVAILABLE ON THE LOW SIDE.

UNLESS OTHERWISE SPECIFIED CONVERSIONS AND DIMENSIONS INFORMATION IS CONTAINED HEREIN AND MUST BE HANDLED ACCORDINGLY. EMERSON INFORMATION WITHIN THIS DOCUMENT IS UNCLASSIFIED UNLESS INDICATED OTHERWISE ENGINEERING USE: REFERENCE PARTS: NOT INTENDED FOR REPRODUCTION OR DISTRIBUTION FOR ENGINEERING INFORMATION	CUSTOMER	3RD ANGLE	SIZE	SCALE	REV
	CUSTOMER DWG NO.		D	1/2	AA
	P.O. No.	EMERSON Process Management ROSEMOUNT®			
	S.O. No.	TITLE 3051SAM ERS PRESSURE TRANSMITTER			
PROJECT NAME	DR. JLA 3/8/13	DRAWING NO.		03151-7001	
APP'D PF 3/8/13			DOC TYPE D		SHEET 4 OF 7
DO NOT SCALE PRINT CAD MAINTAINED. (PRO/E) PRODUCT CODE					

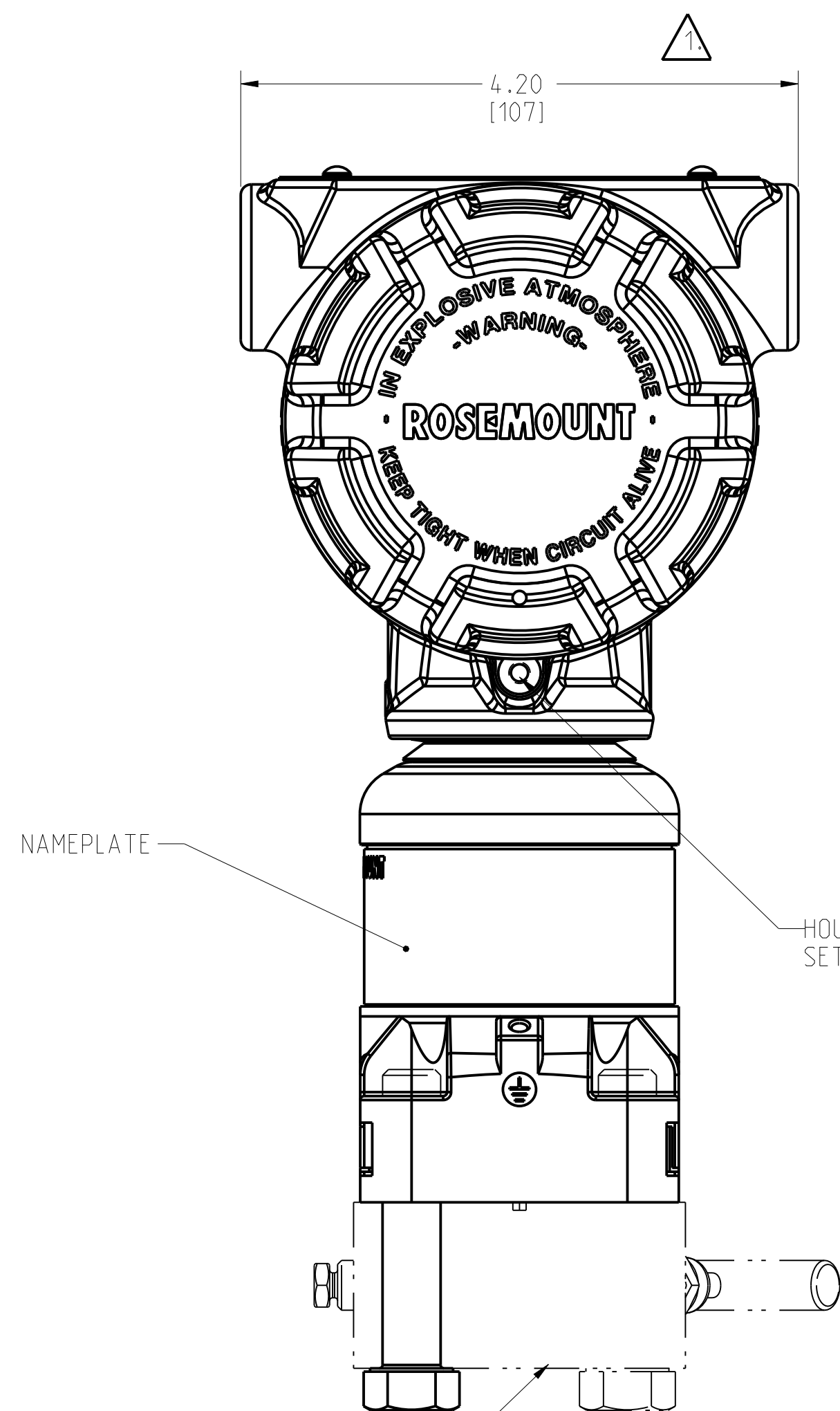
TAG NO. 03151-7001
 DRAWING NO.

ROSEMOUNT 3051SAM PRESSURE TRANSMITTER COPLANAR FLANGE
 PROCESS CONNECTION WITH CAPILLARY AND DIRECT MOUNT SEALS

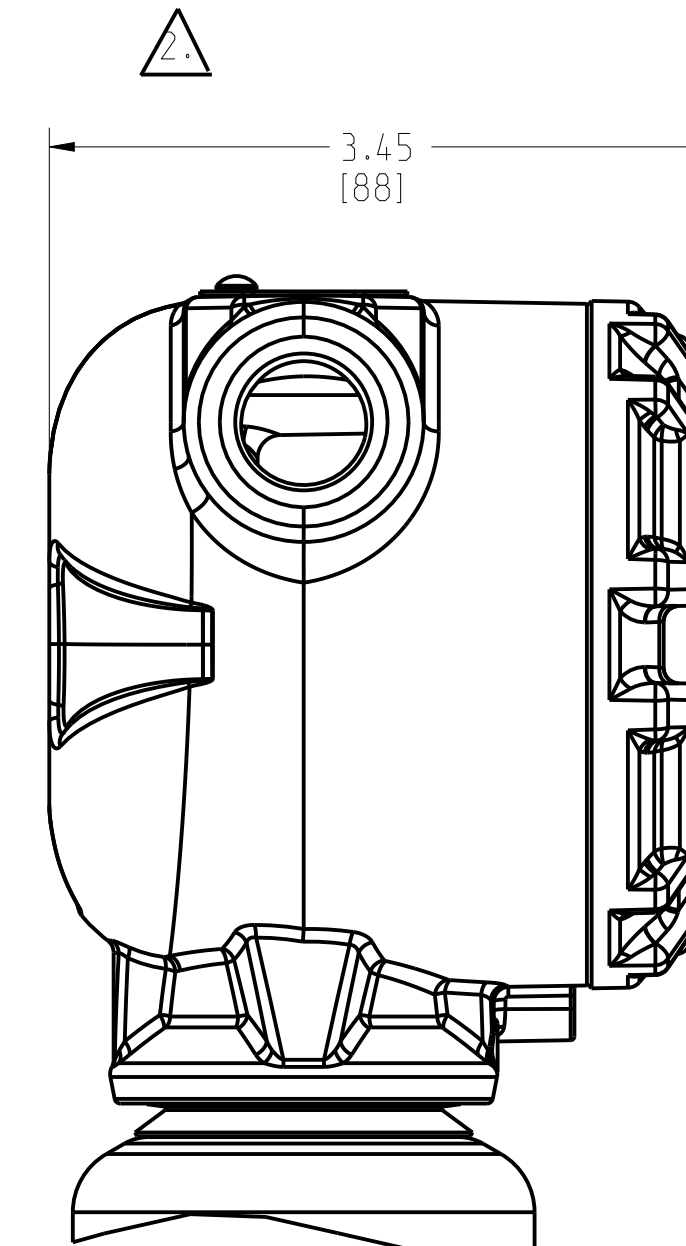
PLANTWEB HOUSING
 SHOWN WITH OPTIONAL DIGITAL DISPLAY
 (PRIMARY)



PLANTWEB HOUSING
 (PRIMARY)



JUNCTION BOX HOUSING
 (SECONDARY)
 INLINE OR COPLANAR TRANSMITTER



CONDUIT CONNECTION
 (2 PLACES)

CERTIFICATION
 LABEL

TRANSMITTER
 ELECTRONICS
 (THIS SIDE)

FIELD TERMINALS
 (THIS SIDE)

HOUSING ROTATION
 SET SCREW

DIGITAL DISPLAY
 COVER

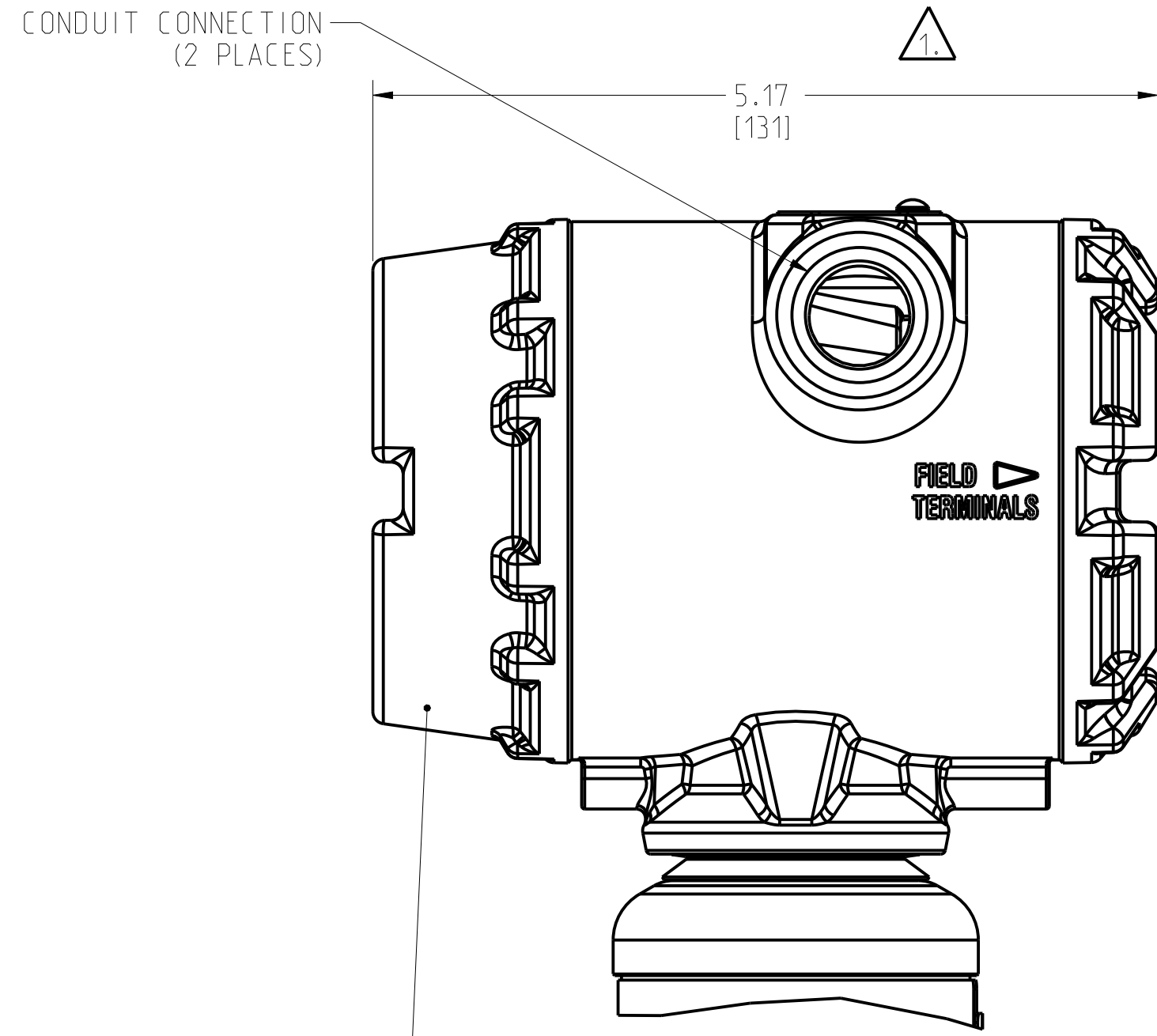
AVAILABLE WITH 305 MANIFOLDS. SEE 2 VALVE
 MANIFOLD TYPE 1 DRAWINGS FOR DIMENSIONS

UNLESS OTHERWISE SPECIFIED CONVERSIONS AND DIMENSIONS INFORMATION IS CONTAINED HEREIN AND MUST BE HANDLED ACCORDINGLY. EMERSON INFORMATION WITHIN THIS DOCUMENT IS UNCLASSIFIED DATE 11/19/09 BY 60322 ENGINEERING USE. REFERENCE TO THIS DOCUMENT IS UNCLASSIFIED DATE 11/19/09 BY 60322	CUSTOMER	3RD ANGLE	SIZE	SCALE	REV
	CUSTOMER DWG NO.		D	1/2	AA
	P.O. No.	EMERSON Process Management ROSEMOUNT®			
	S.O. No.	TITLE 3051SAM ERS PRESSURE TRANSMITTER			
PROJECT NAME	DR. JLA	3/8/13	DRAWING NO.		
	APP'D PF	3/8/13	03151-7001		
DO NOT SCALE PRINT		CAD MAINTAINED. (PRO/E)	PRODUCT CODE	DOC TYPE D SHEET 5 OF 7	

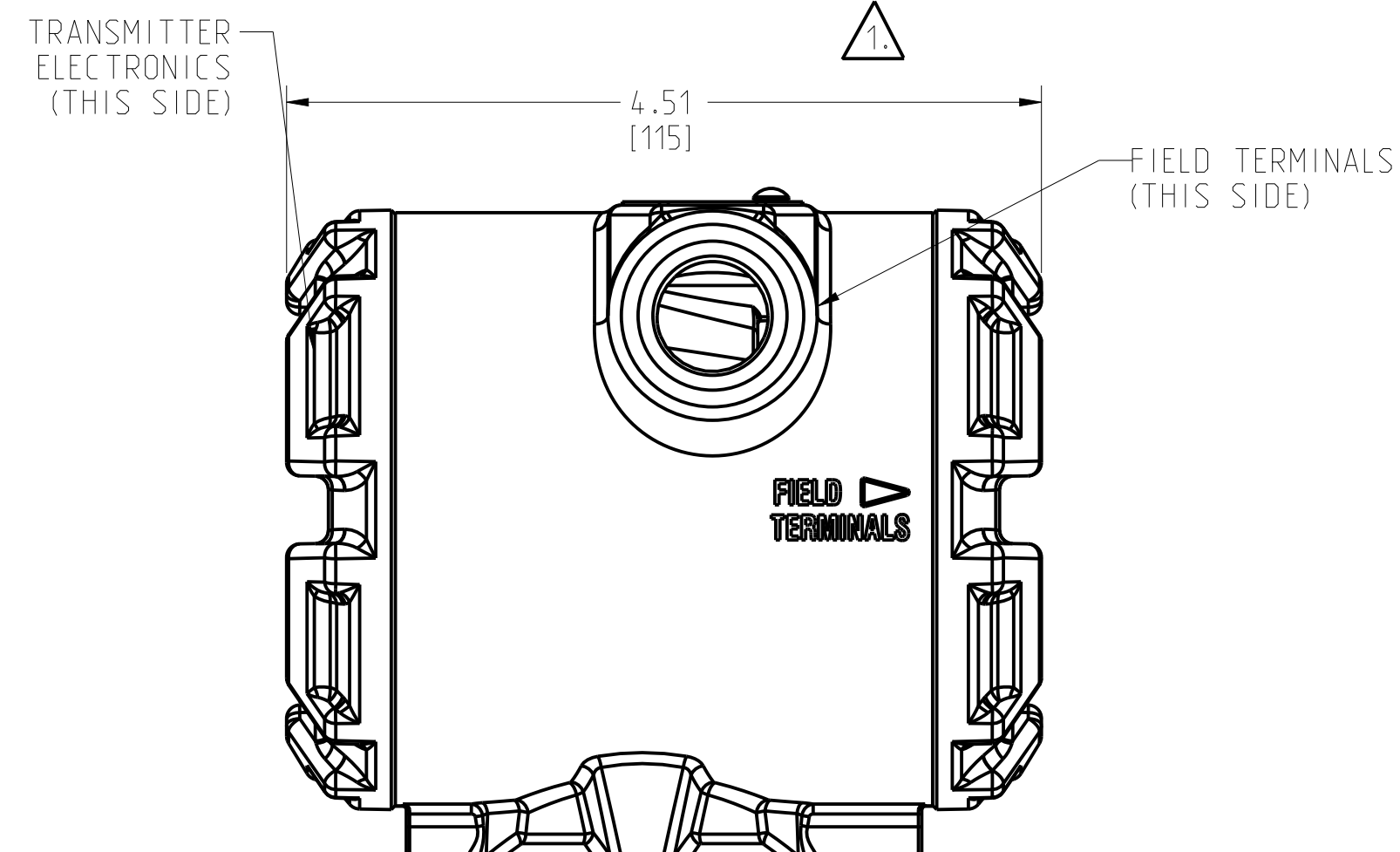
DRAWING NO. 03151-7001
 TAG NO. CAL.

ROSEMOUNT 3051SAM IN-LINE PRESSURE TRANSMITTER IN-LINE MANIFOLD

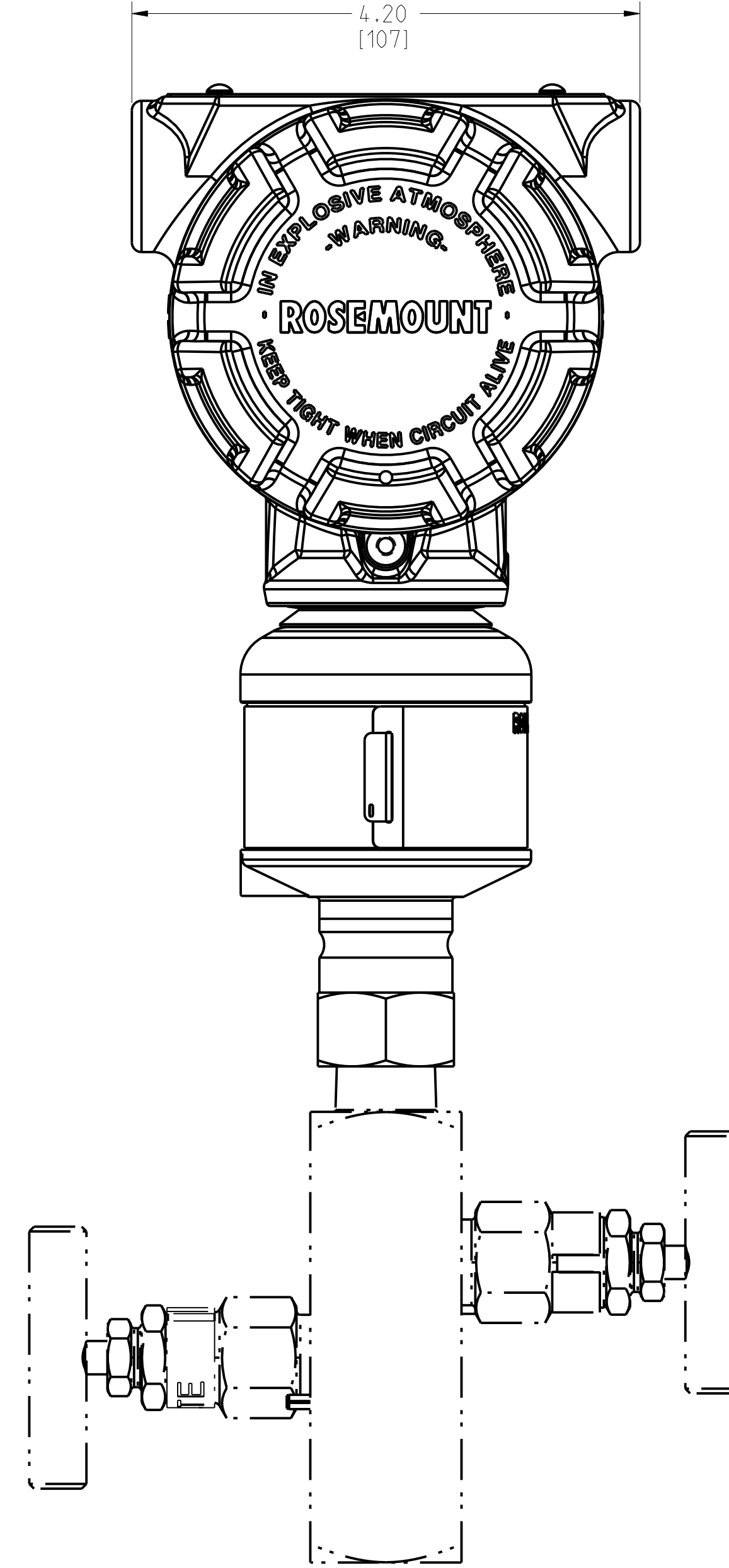
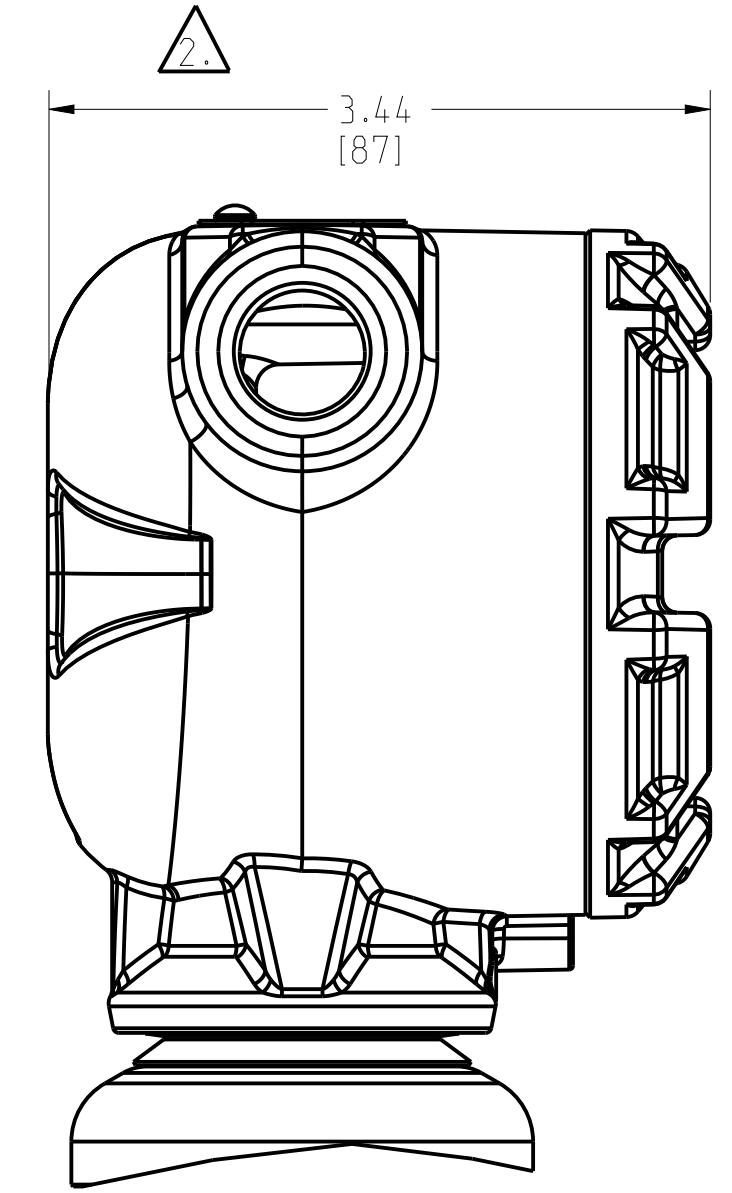
PLANTWEB HOUSING
SHOWN WITH OPTIONAL DIGITAL DISPLAY
(PRIMARY)



PLANTWEB HOUSING
(PRIMARY)



JUNCTION BOX HOUSING
(SECONDARY)
INLINE OR COPLANAR TRANSMITTER



DIGITAL DISPLAY
COVER

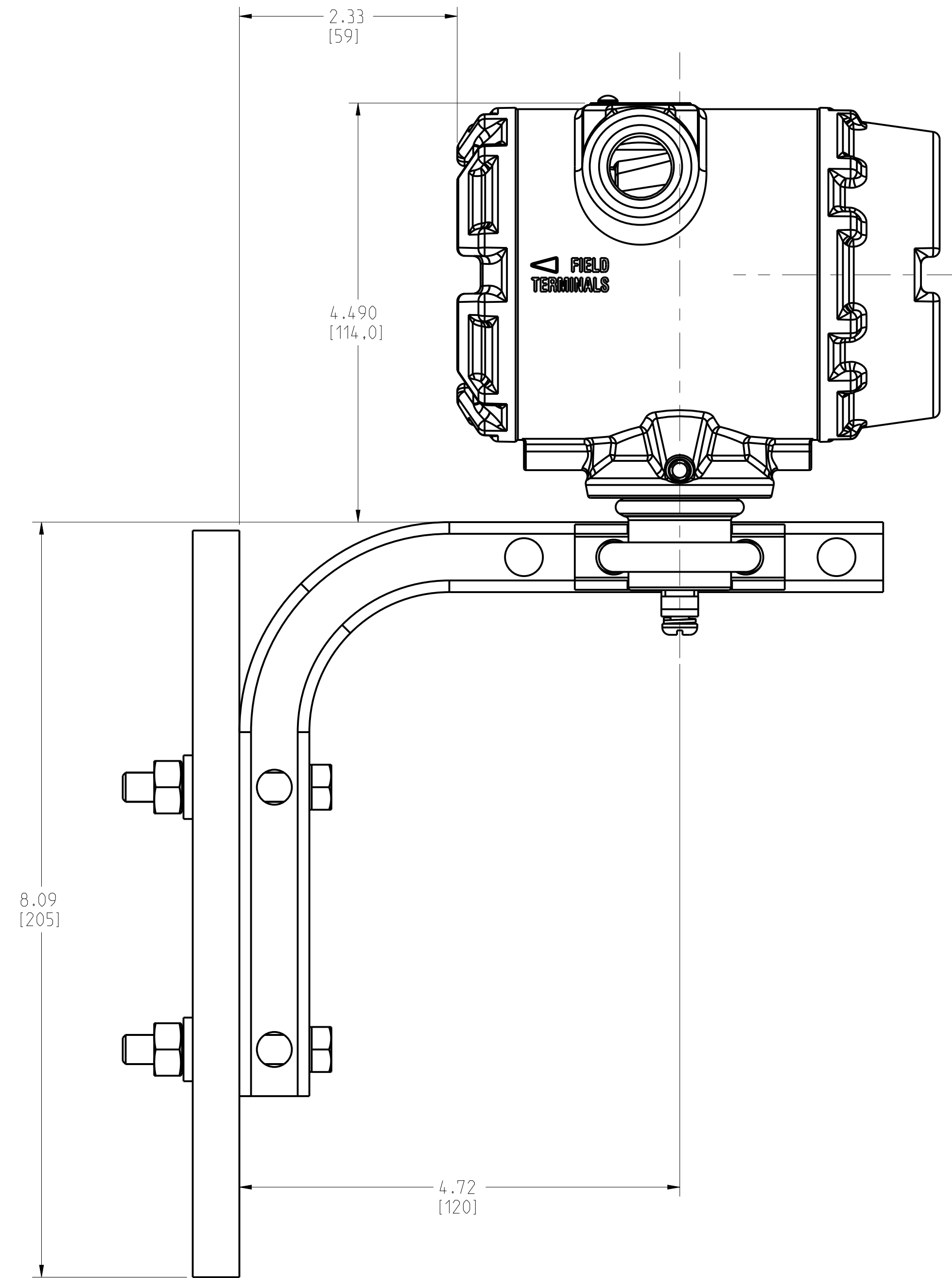
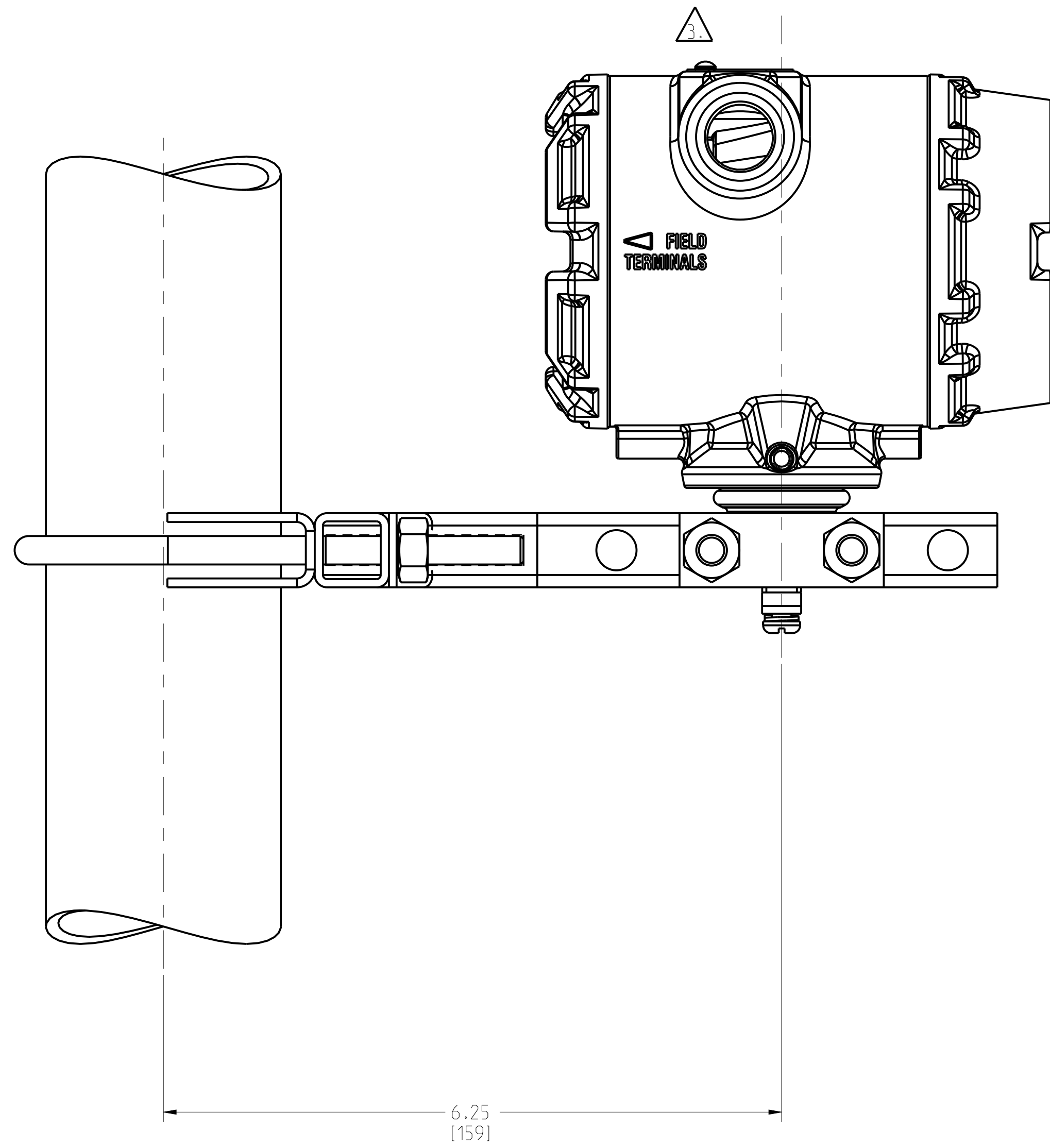
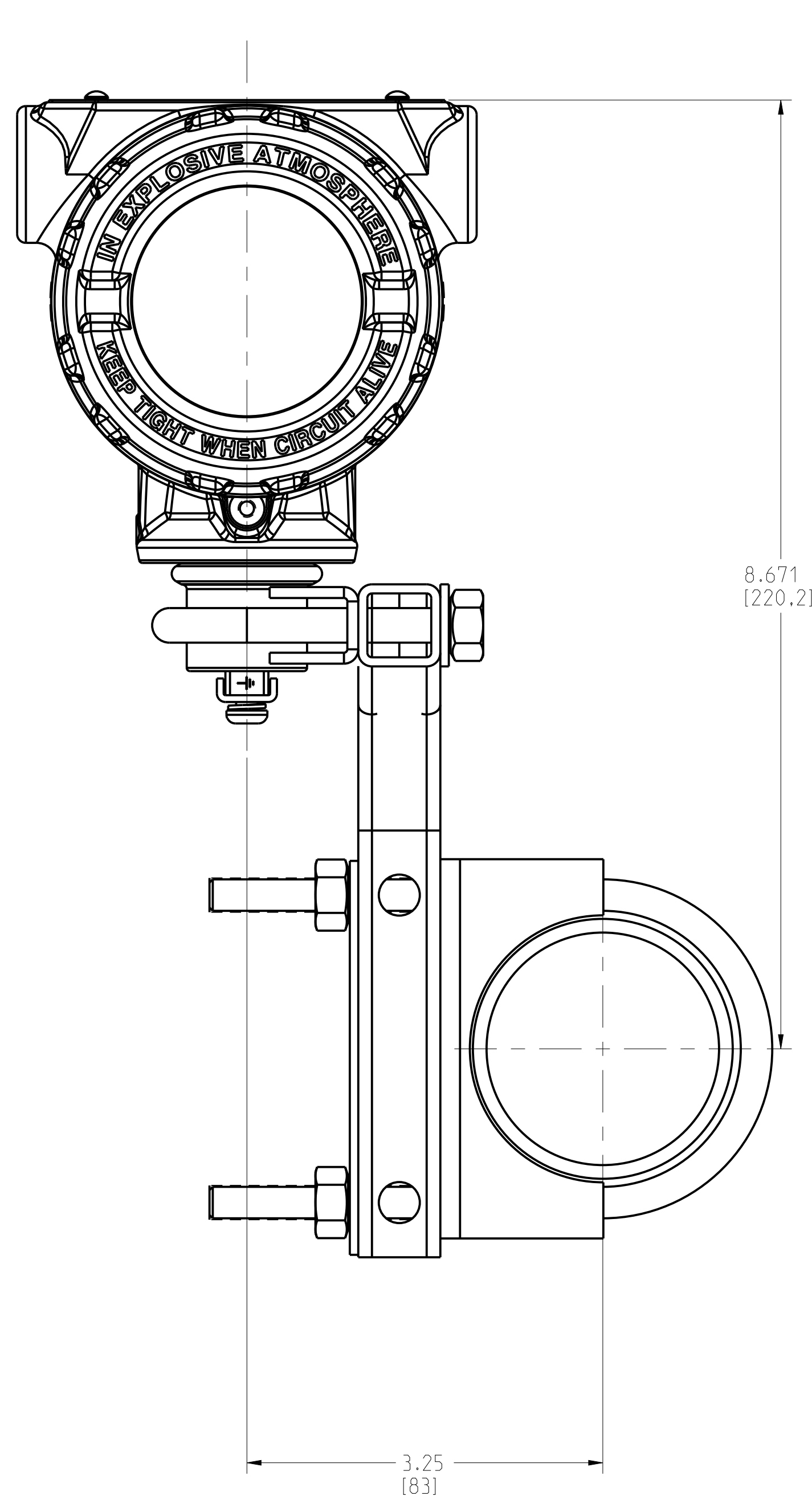
NAMEPLATE

AVAILABLE WITH 306 MANIFOLDS. SEE
MANIFOLD TYPE 1 DRAWINGS FOR DIMENSIONS

<small>UNLESS OTHERWISE SPECIFIED CONNECTIONS AND PRESSURE RATING INFORMATION IS CONTAINED HEREIN AND MUST BE HANDLED ACCORDINGLY. EMERSON</small>	CUSTOMER	3RD ANGLE	SIZE	SCALE	REV
	CUSTOMER DWG NO.		D	1/2	AA
	P.O. No.	EMERSON Process Management			
	S.O. No.	ROSEMOUNT®			
PROJECT NAME	DR. JLA 3/8/13	TITLE 3051SAM ERS PRESSURE TRANSMITTER			
	APP'D PF 3/8/13	DRAWING NO. 03151-7001			
DO NOT SCALE PRINT		CAD MAINTAINED. (PRO/E)		PRODUCT CODE	DOC TYPE D SHEET 6 OF 7

DRAWING NO. 03151-7001 TAG NO. CAL.

REMOTE DISPLAY MOUNTING CONFIGURATION (PRIMARY)



<small>UNLESS OTHERWISE SPECIFIED CONNECTIONS AND DIMENSIONS INFORMATION IS CONTAINED HEREIN AND MUST BE HANDLED ACCORDINGLY. EMERSON</small>	CUSTOMER	3RD ANGLE	SIZE	SCALE	REV
	CUSTOMER DWG NO.		D	1/2	AA
	P.O. No.	EMERSON Process Management ROSEMOUNT®			
	S.O. No.	TITLE 3051SAM ERS PRESSURE TRANSMITTER			
PROJECT NAME	DR. JLA	3/8/13	DRAWING NO.		
	APP'D PF	3/8/13	03151-7001		
DO NOT SCALE PRINT	CAD MAINTAINED. (PRO/E)	PRODUCT CODE	DOC TYPE	D	SHEET 7 OF 7

DRAWING NO. 03151-7001 TAG NO. CAL.