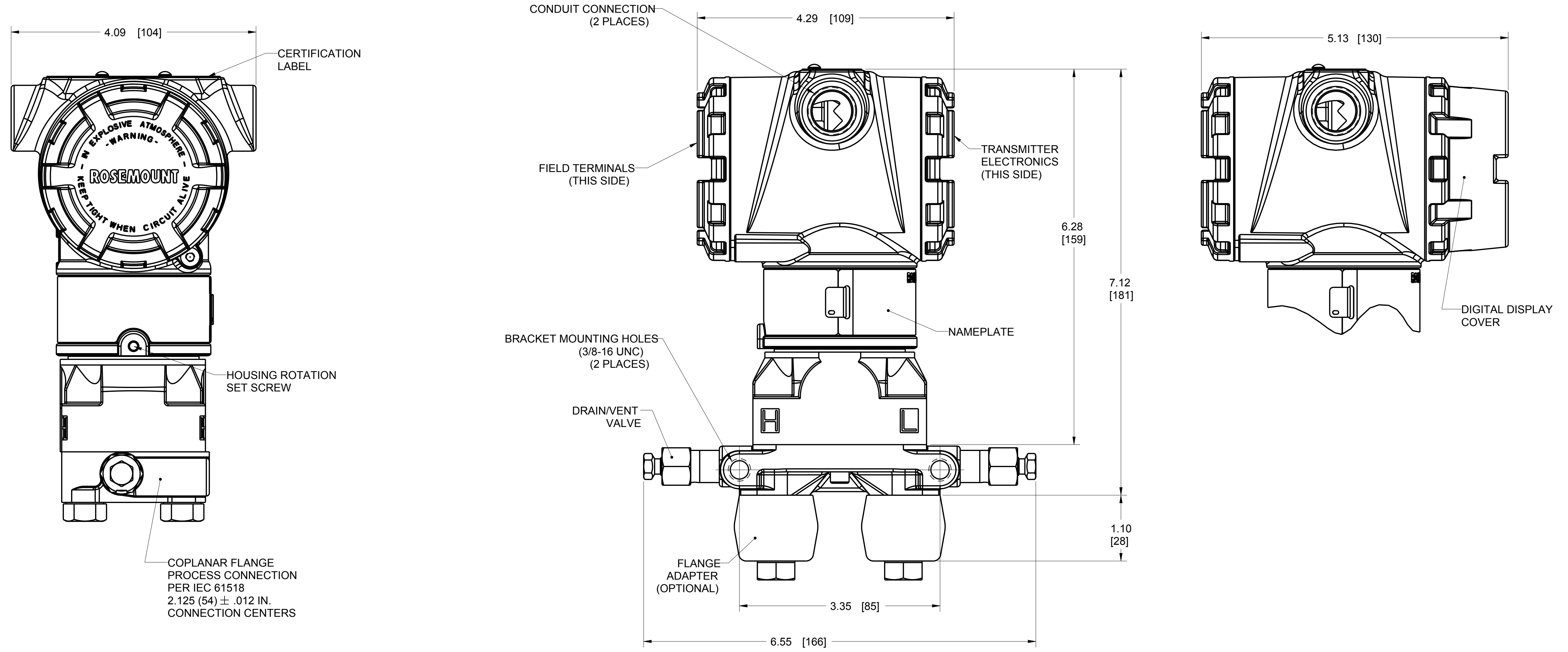


ROSEMOUNT 3051C COPLANAR PRESSURE TRANSMITTER COPLANAR FLANGE PROCESS CONNECTION

REVISION TABLE			
REVISION	ECO NO.	APP'D	DATE
AN	RTC1060606	TW	7/23/14
DESCRIPTION			
UPDATED NOTES FOR FIELDBUS			

OUTPUT CODE (A) AND (F) (SEE NOTE 4) ALUMINUM/SST HOUSING

SHOWN WITH OPTIONAL DIGITAL DISPLAY



COPLANAR FLANGE
PROCESS CONNECTION
PER IEC 61518
2.125 (54) ± .012 IN.
CONNECTION CENTERS

1/4-18 NPT PROCESS CONNECTION OR
1/2-14 NPT WITH OPTIONAL FLANGE
ADAPTERS. ADAPTERS CAN BE ROTATED
TO GIVE CONNECTION CENTERS OF
2.00 (51), 2.125 (54), OR 2.25 (57)

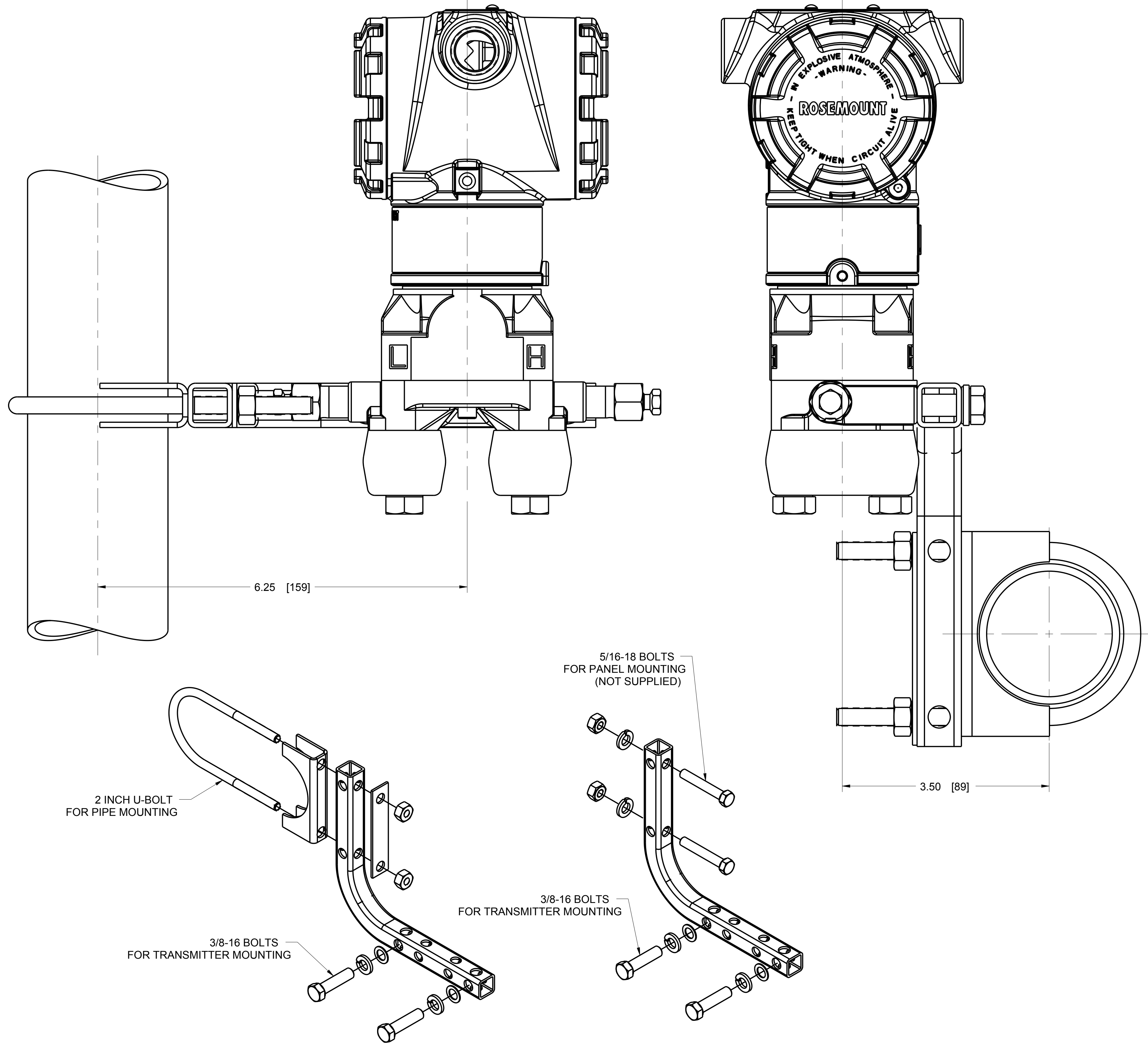
- NOTES:
- ROSEMOUNT INC. CERTIFIES THIS DRAWING IS IN ACCORDANCE WITH ROSEMOUNT ENGINEERING SPECIFICATIONS AND ACCURATELY REPRESENTS THE EQUIPMENT FURNISHED.
 - .75 [19] CLEARANCE REQUIRED TO REMOVE COVERS (EACH SIDE).
 - FOR OUTPUT CODE (F): HOUSING TYPE AND DIMENSIONS APPLY TO DEVICE REVISION 7 TRANSMITTERS ONLY.
 - FOR OUTPUT CODE (F): HOUSING TYPE AND DIMENSIONS APPLY TO DEVICE REVISION 8 TRANSMITTERS ONLY.

UNLESS OTHERWISE SPECIFIED DIMENSIONS AND TOLERANCES GOVERN AND TAKE PRECEDENCE OVER ALL OTHERS CONTAINED HEREIN AND MUST BE HANDLED ACCORDINGLY. EMERSON	CUSTOMER	3RD ANGLE			SIZE	SCALE	REV
	CUSTOMER DWG NO.	EMERSON Process Management			D	1/1	AN
	P.O. No.	TITLE			ROSEMOUNT 3051C COPLANAR PRESSURE TRANSMITTER		
	S.O. No.	DRAWING NO.			03031-1011		
PROJECT NAME	DR.	JLA	7/23/14	DRAWING NO.			
	APP'D	T.WALLACE	7/23/14	03031-1011			
DO NOT SCALE PRINT	CAD MAINTAINED, (PRO/E)	PRODUCT CODE	DOC TYPE		SHEET 1 OF 15		

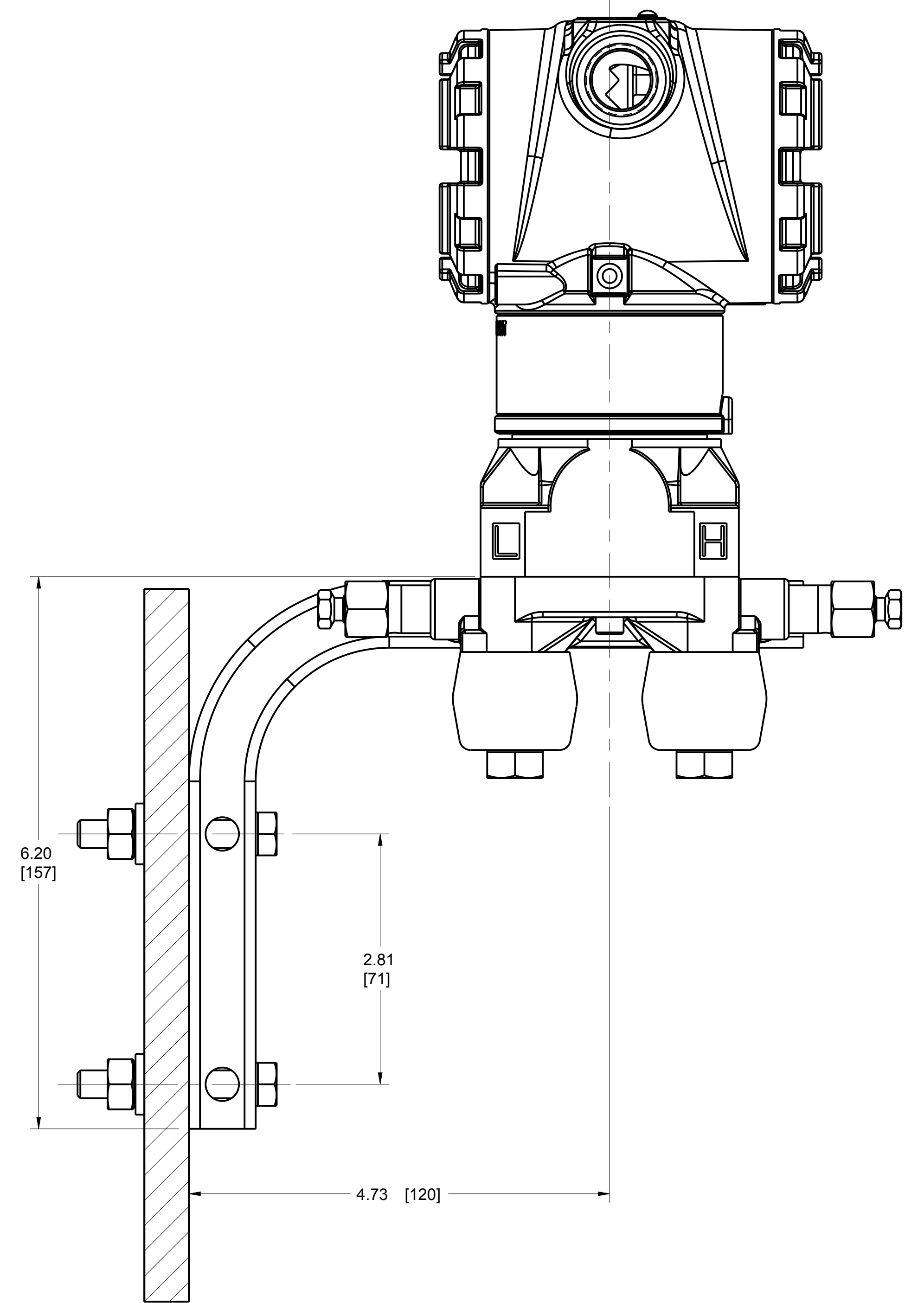
DRAWING NO. 03031-1011 TAG NO. GAL

ROSEMOUNT 3051C COPLANAR PRESSURE TRANSMITTER COPLANAR FLANGE MOUNTING CONFIGURATIONS

PIPE MOUNTING



PANEL MOUNTING



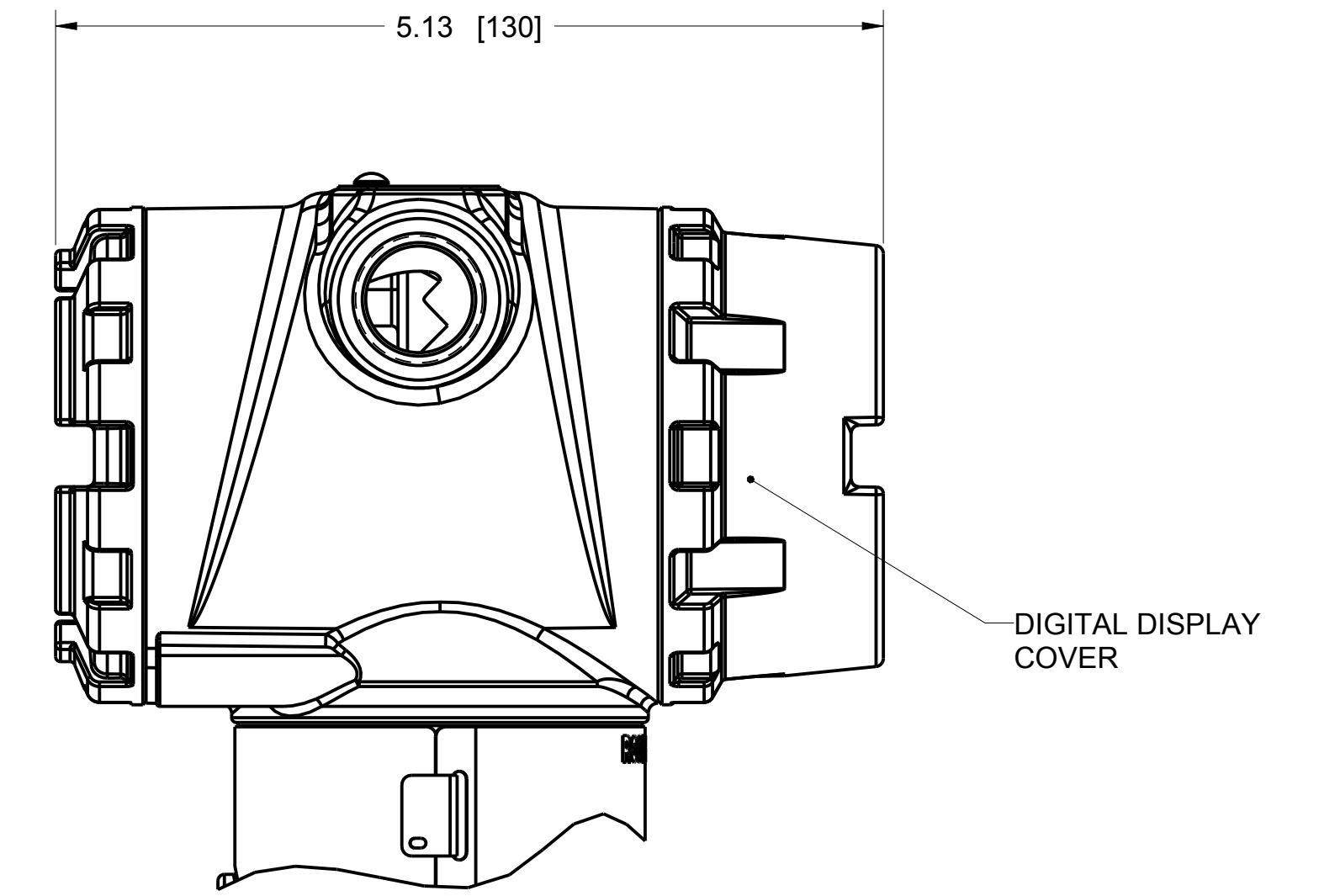
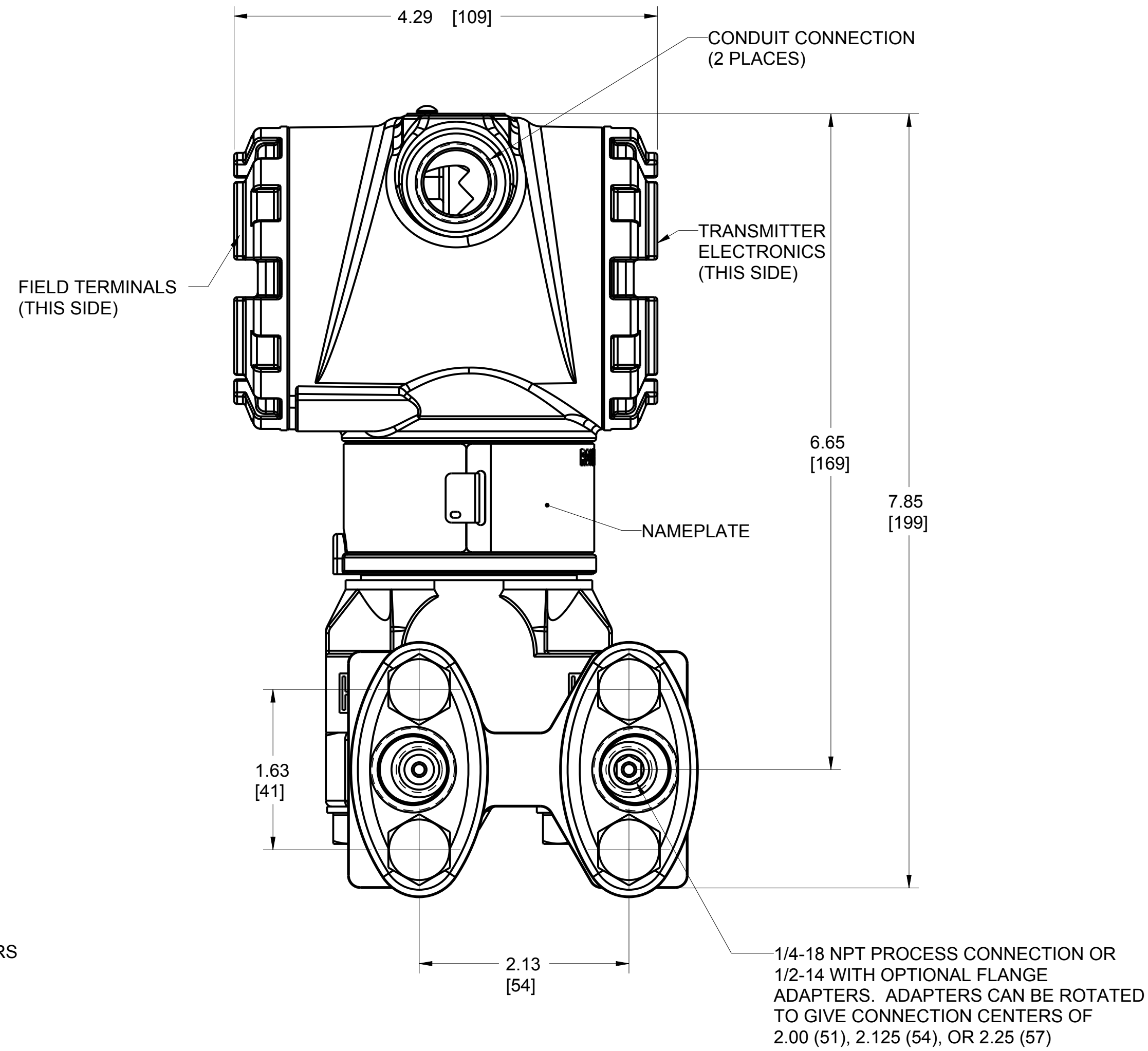
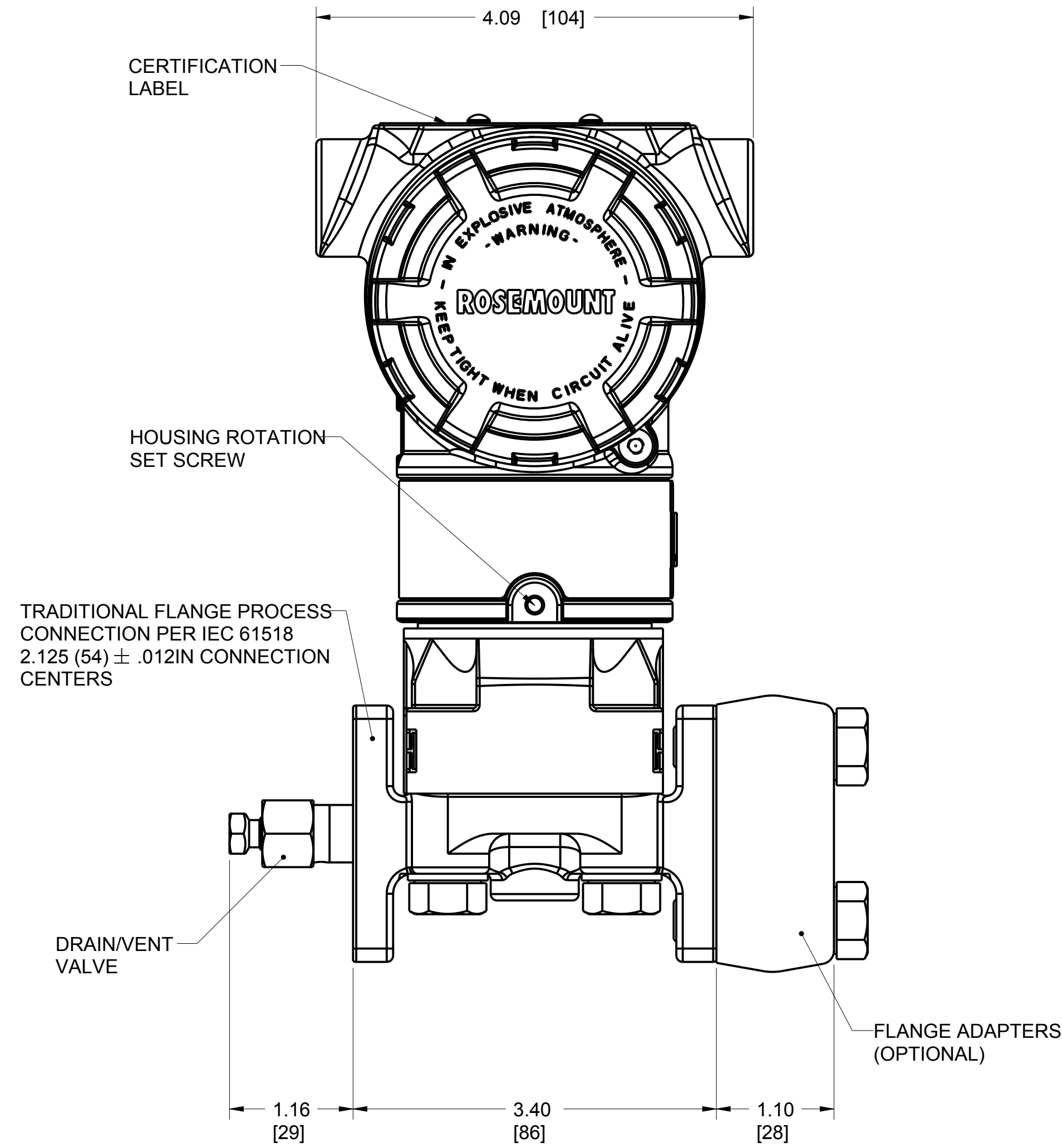
<small>UNLESS OTHERWISE SPECIFIED DIMENSIONS AND TOLERANCES INFORMATION IS CONTAINED HEREIN AND MUST BE HANDLED ACCORDINGLY. EMERSON</small>	CUSTOMER	<small>3RD ANGLE</small> <small>SIZE D 1/1</small> <small>SCALE AN</small>		
	CUSTOMER DWG NO.	EMERSON ROSEMOUNT <small>Process Management</small>		
	P.O. No.	TITLE ROSEMOUNT 3051C COPLANAR PRESSURE TRANSMITTER		
	S.O. No.	<small>DR. JLA 7/23/14 DRAWING NO. 03031-1011</small>		
PROJECT NAME	APPD T.WALLACE 7/23/14	<small>DO NOT SCALE PRINT CAD MAINTAINED, (PRO/E) PRODUCT CODE - DOC TYPE - SHEET 2 OF 15</small>		

DRAWING NO. 03031-1011 TAG NO. CAL.

ROSEMOUNT 3051C COPLANAR PRESSURE TRANSMITTER TRADITIONAL FLANGE PROCESS CONNECTION

OUTPUT CODE (A) AND (F) (SEE NOTE 4) ALUMINUM/SST HOUSING

SHOWN WITH OPTIONAL DIGITAL DISPLAY

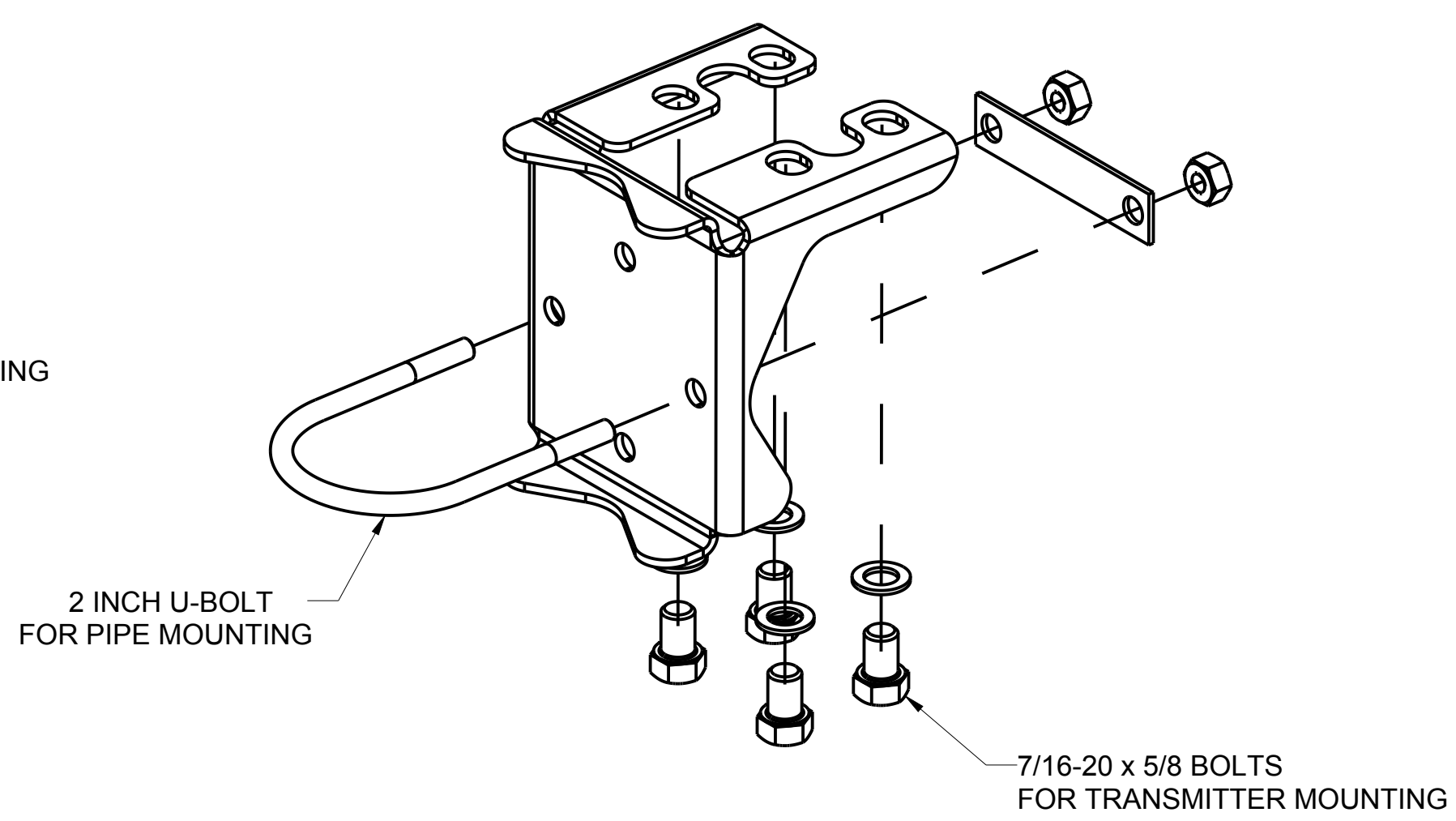
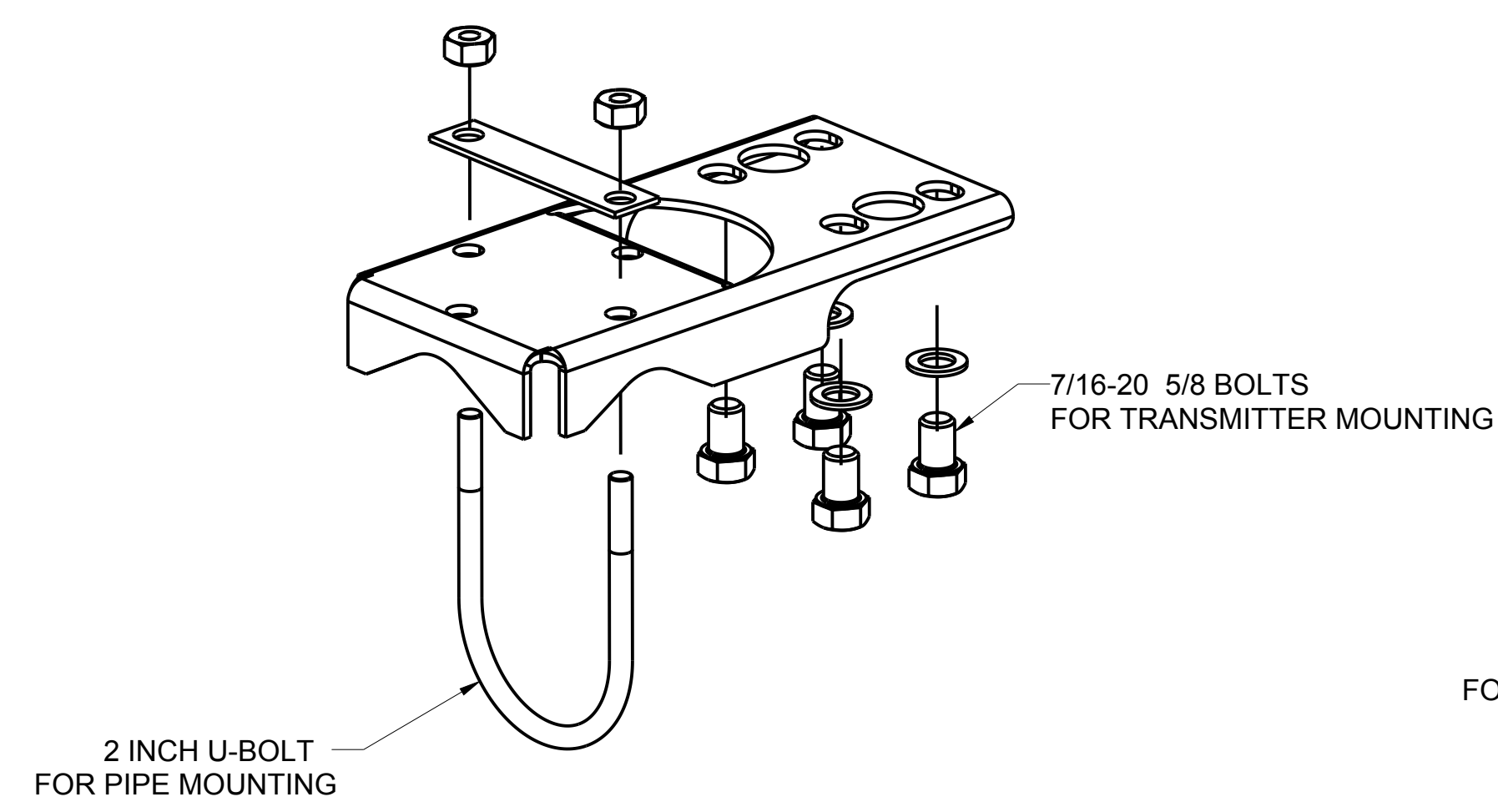
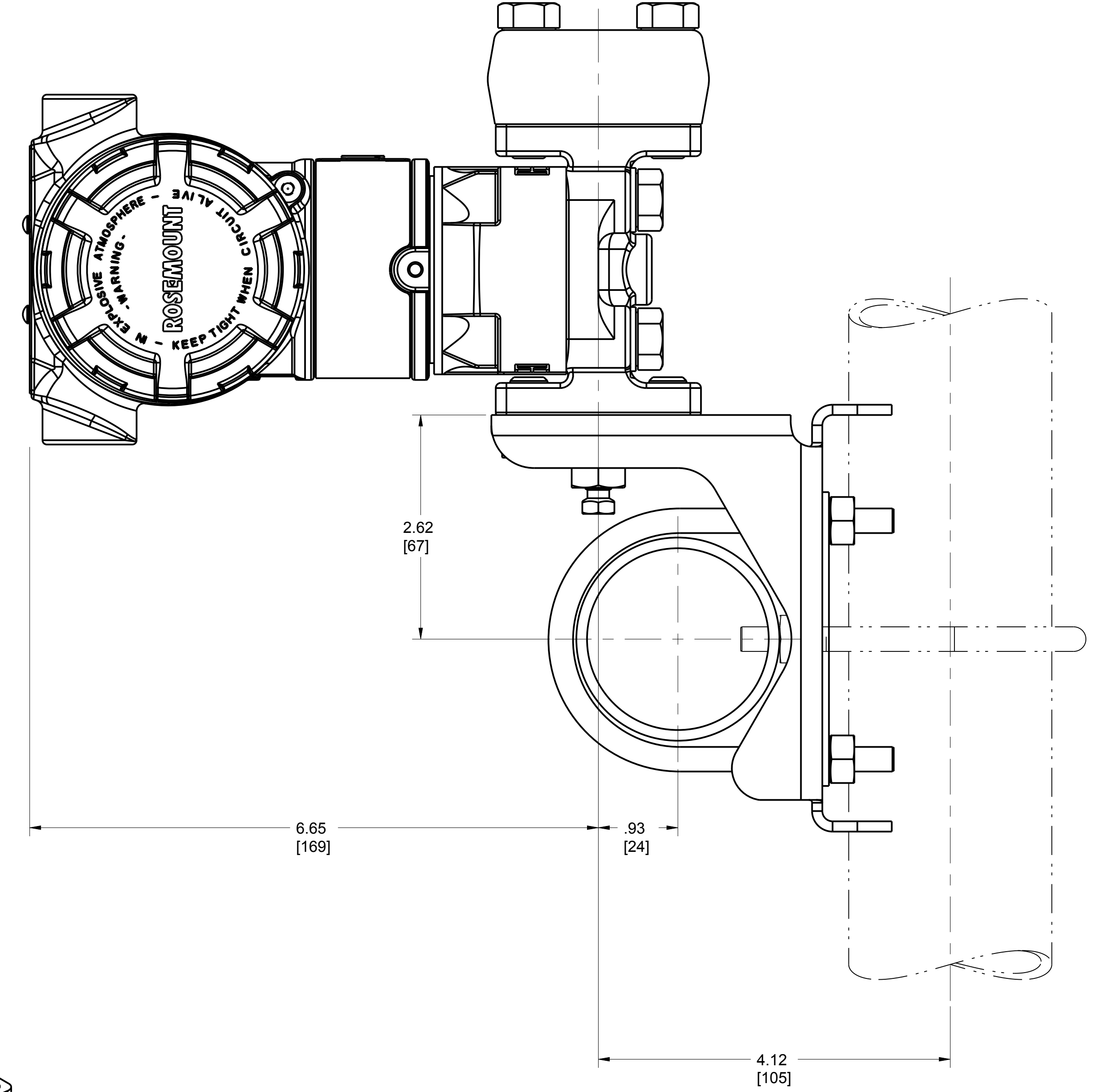
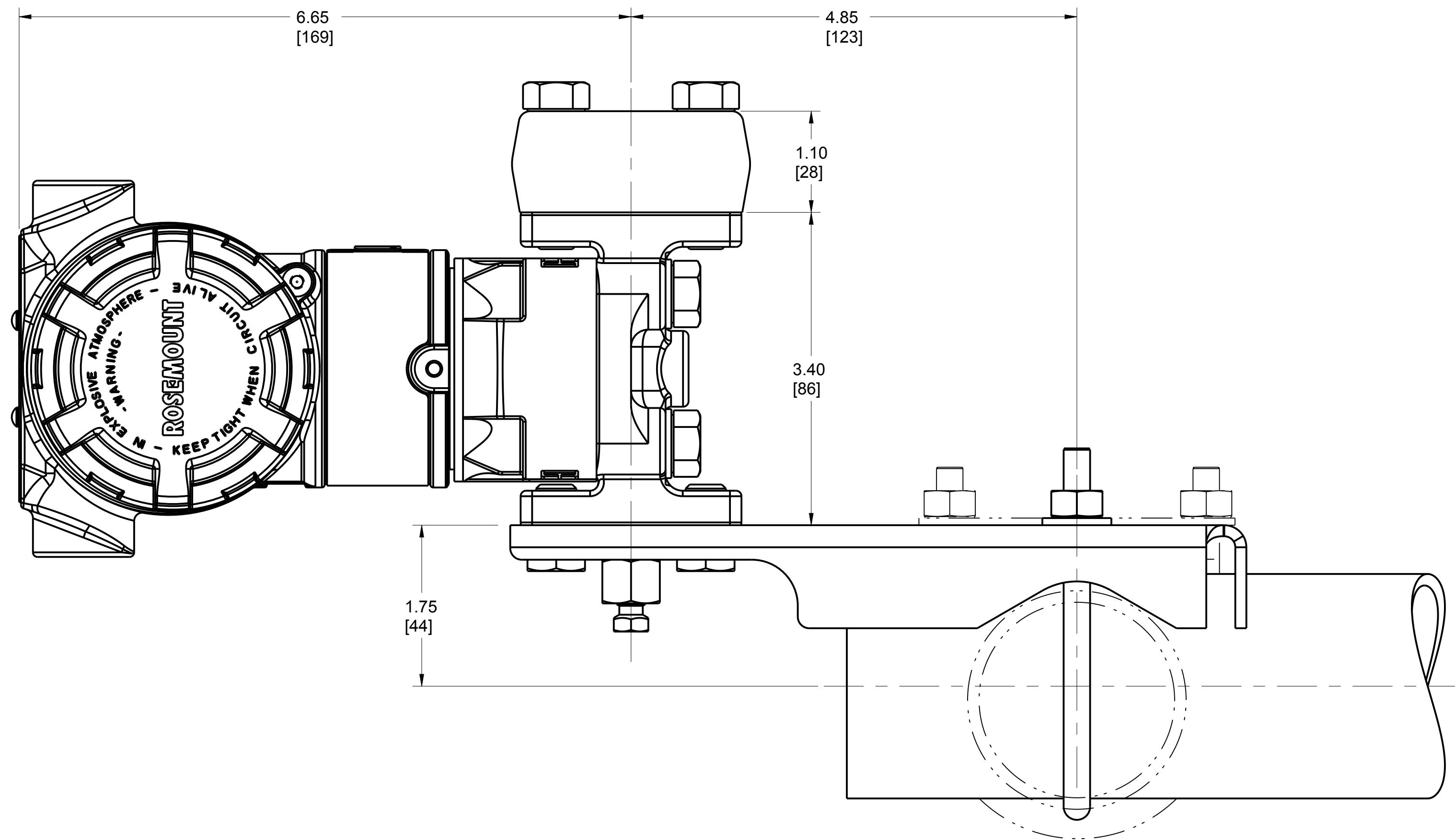


<small>UNLESS OTHERWISE SPECIFIED DIMENSIONS AND TOLERANCES CONFORM TO THE FIRST PART OF ASME Y14.5M-2009 UNLESS OTHERWISE SPECIFIED EMERSON INFORMATION WITHIN THIS DRAWING IS UNCLASSIFIED UNLESS INDICATED OTHERWISE NOTICE: NOT INTENDED FOR ENGINEERING USE. REFERENCE THIS DRAWING TO THE EMERSON WEBSITE FOR LATEST REVISIONS AND FOR ENGINEERING INFORMATION.</small>	CUSTOMER	3RD ANGLE	SIZE D	SCALE 1/1	REV AN
	CUSTOMER DWG NO.			TITLE ROSEMOUNT 3051C COPLANAR PRESSURE TRANSMITTER	
	P.O. No.			DRAWING NO. 03031-1011	
	S.O. No.	DR. JLA 7/23/14	APPD T.WALLACE 7/23/14		
PROJECT NAME	DO NOT SCALE PRINT CAD MAINTAINED (PROE) PRODUCT CODE - DOC TYPE - SHEET 3 OF 15				

TAG NO. 03031-1011
 DRAWING NO.

ROSEMOUNT 3051C COPLANAR PRESSURE TRANSMITTER TRADITIONAL FLANGE MOUNTING CONFIGURATIONS

PIPE MOUNTING

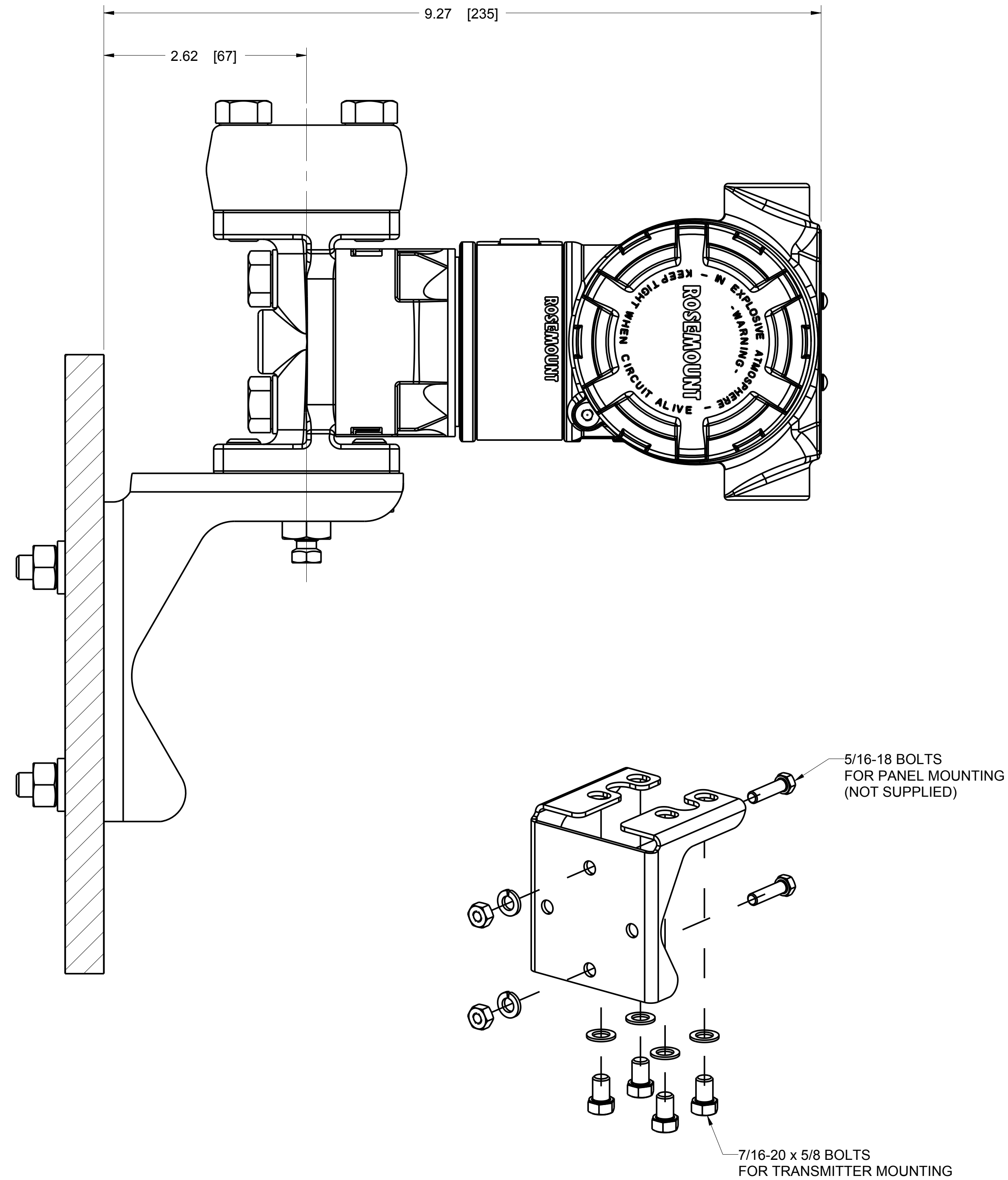


<small>UNLESS OTHERWISE SPECIFIED DIMENSIONS AND TOLERANCES CONFORM TO THE FIRST PART OF ASME Y14.5M-2009 UNLESS OTHERWISE SPECIFIED INFORMATION IS CONTAINED HEREIN AND MUST BE HANDLED ACCORDINGLY. EMERSON</small>	CUSTOMER	3RD ANGLE	SIZE	SCALE	REV
	CUSTOMER DWG NO.		D	1/1	AN
	P.O. No.	***	EMERSON Process Management ROSEMOUNT®		
	S.O. No.	***	TITLE ROSEMOUNT 3051C COPLANAR PRESSURE TRANSMITTER		
PROJECT NAME	DR. JLA 7/23/14	DRAWING NO.		03031-1011	
	APPD T.WALLACE 7/23/14				
DO NOT SCALE PRINT	CAD MAINTAINED, (PRO/E)	PRODUCT CODE	DOC TYPE	SHEET 4 OF 15	

TAG NO. 03031-1011
 DRAWING NO.

ROSEMOUNT 3051C COPLANAR PRESSURE TRANSMITTER TRADITIONAL FLANGE MOUNTING CONFIGURATIONS

PANEL MOUNTING

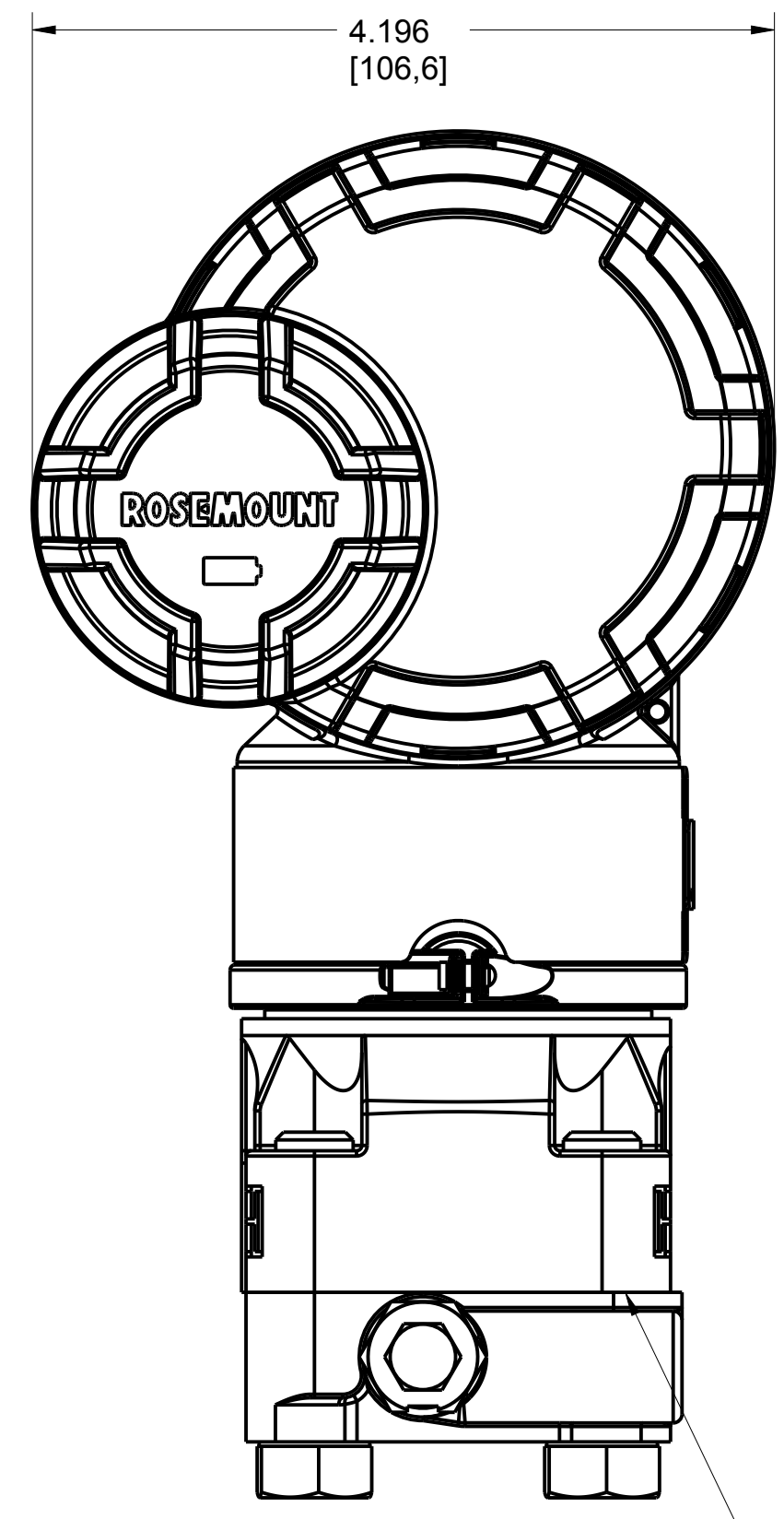


<small>UNLESS OTHERWISE SPECIFIED DIMENSIONS AND TOLERANCES CONFORM TO THE FIRST PART OF ASME Y14.5M-2009 UNLESS OTHERWISE SPECIFIED INFORMATION IS CONTAINED HEREIN AND MUST BE HANDLED ACCORDINGLY. EMERSON</small>	<small>INFORMATION WITHIN THIS DRAWING IS UNCLASSIFIED EXCEPT WHERE SHOWN OTHERWISE. IT IS THE USER'S RESPONSIBILITY TO OBTAIN NECESSARY ENGINEERING REFERENCES AND INFORMATION FOR ENGINEERING INFORMATION.</small>		<small>3RD ANGLE</small>	<small>SIZE</small> D	<small>SCALE</small> 1/1	<small>REV</small> AN
	<small>CUSTOMER</small> CUSTOMER DWG NO.					
	<small>P.O. No.</small> ***					
	<small>S.O. No.</small> ***		<small>TITLE</small> ROSEMOUNT 3051C COPLANAR PRESSURE TRANSMITTER			
<small>PROJECT NAME</small> ***		<small>DR.</small> JLA	<small>7/23/14</small>	<small>DRAWING NO.</small> 03031-1011		
<small>APPD</small> T.WALLACE		<small>7/23/14</small>	<small>DOC TYPE</small> - SHEET 5 OF 15			

TAG NO. 03031-1011
 DRAWING NO.

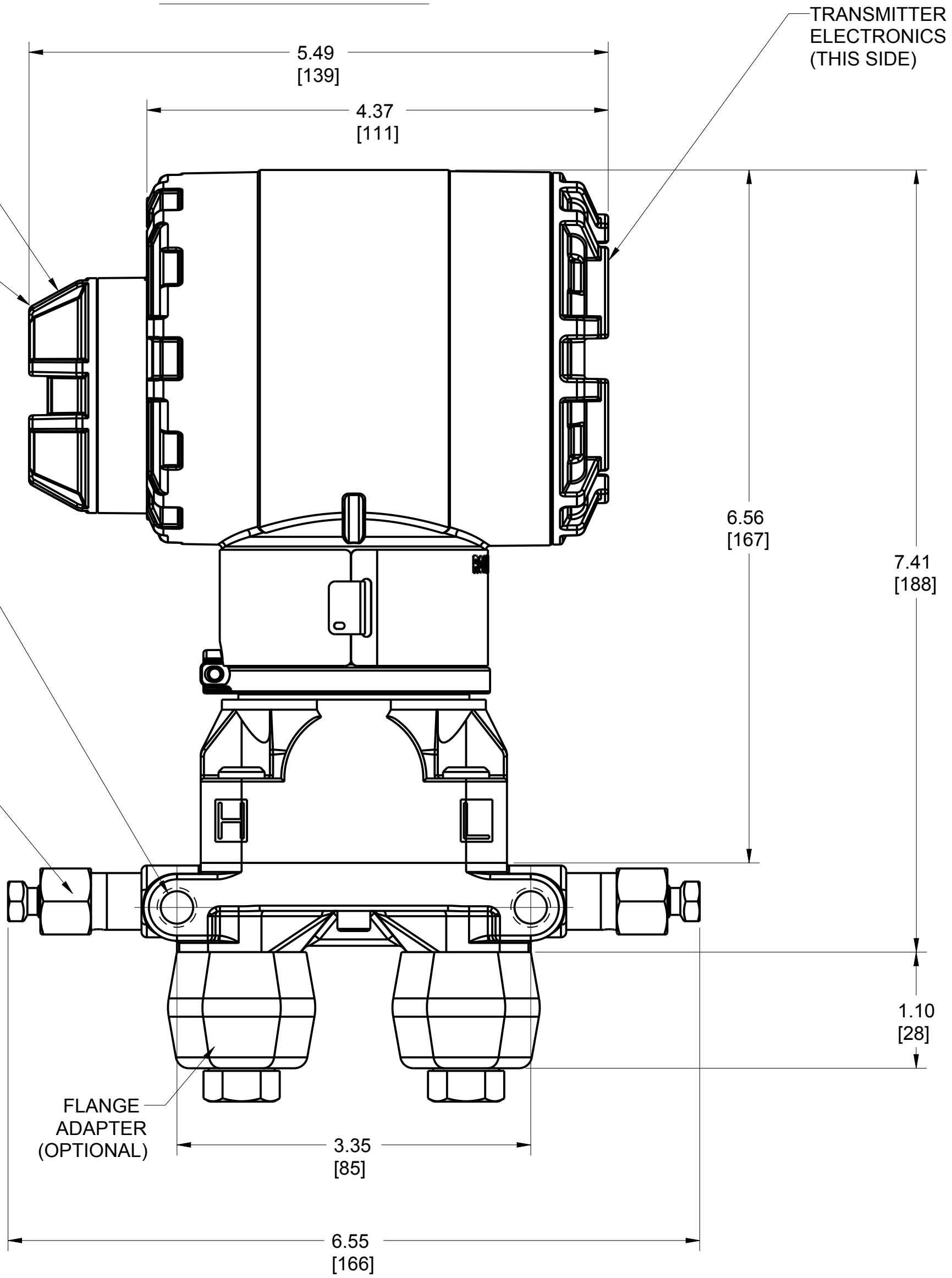
ROSEMOUNT 3051C WIRELESS COPLANAR PRESSURE TRANSMITTER

COPLANAR FLANGE PROCESS CONNECTION



COPLANAR FLANGE
PROCESS CONNECTION
PER IEC 61518
2.125 (54)
CONNECTION CENTERS

OUTPUT CODE X POLYMER HOUSING



FIELD TERMINALS
(THIS SIDE)

POWER MODULE

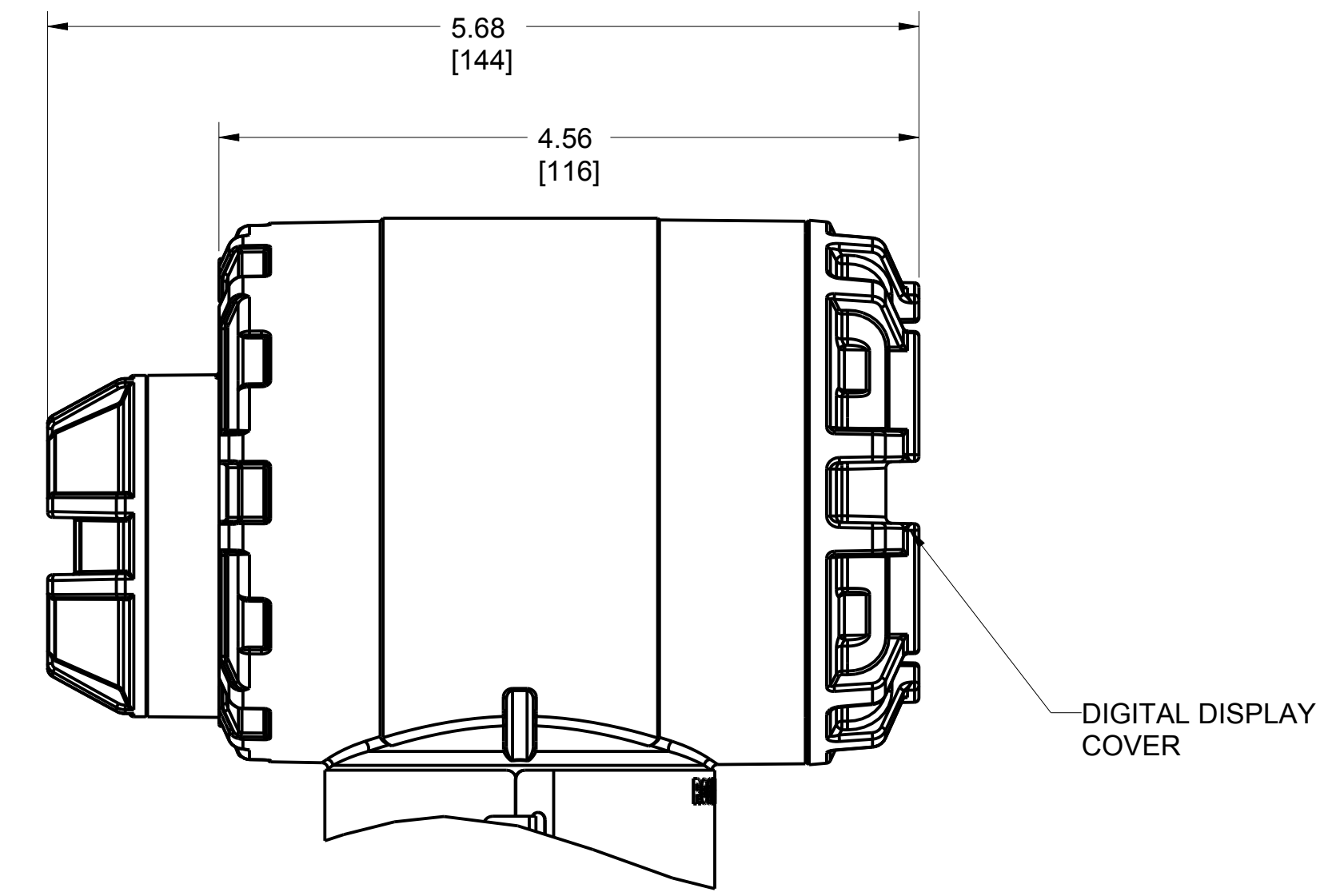
BRACKET MOUNTING HOLES
(3/8-16 UNC)
(2 PLACES)

DRAIN/VENT
VALVE

FLANGE
ADAPTER
(OPTIONAL)

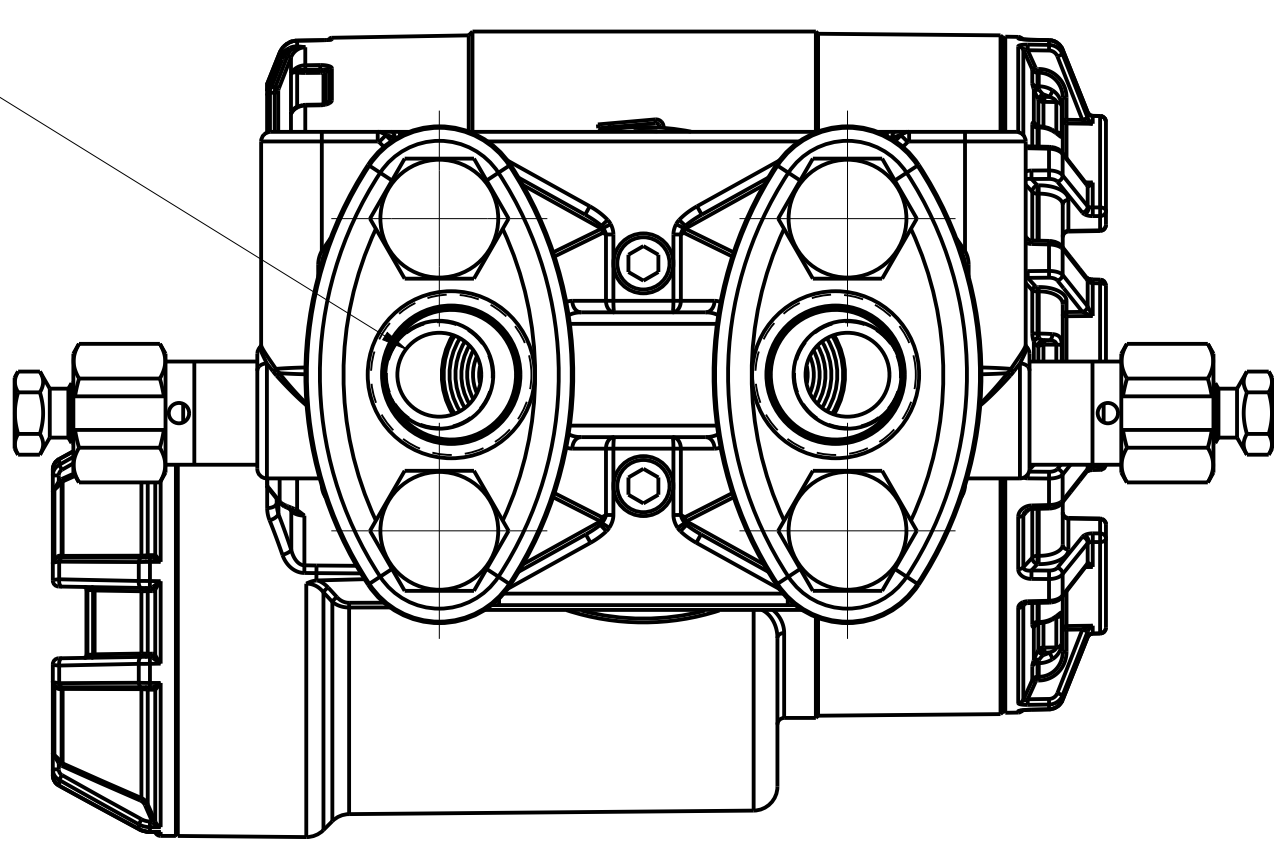
TRANSMITTER
ELECTRONICS
(THIS SIDE)

SHOWN WITH OPTIONAL DIGITAL DISPLAY



DIGITAL DISPLAY
COVER

1/4-18 NPT PROCESS CONNECTION OR
1/2-14 NPT WITH OPTIONAL FLANGE
ADAPTERS. ADAPTERS CAN BE ROTATED
TO GIVE CONNECTIONS OF
2.00 (51), 2.125 (54), OR 2.25 (57)



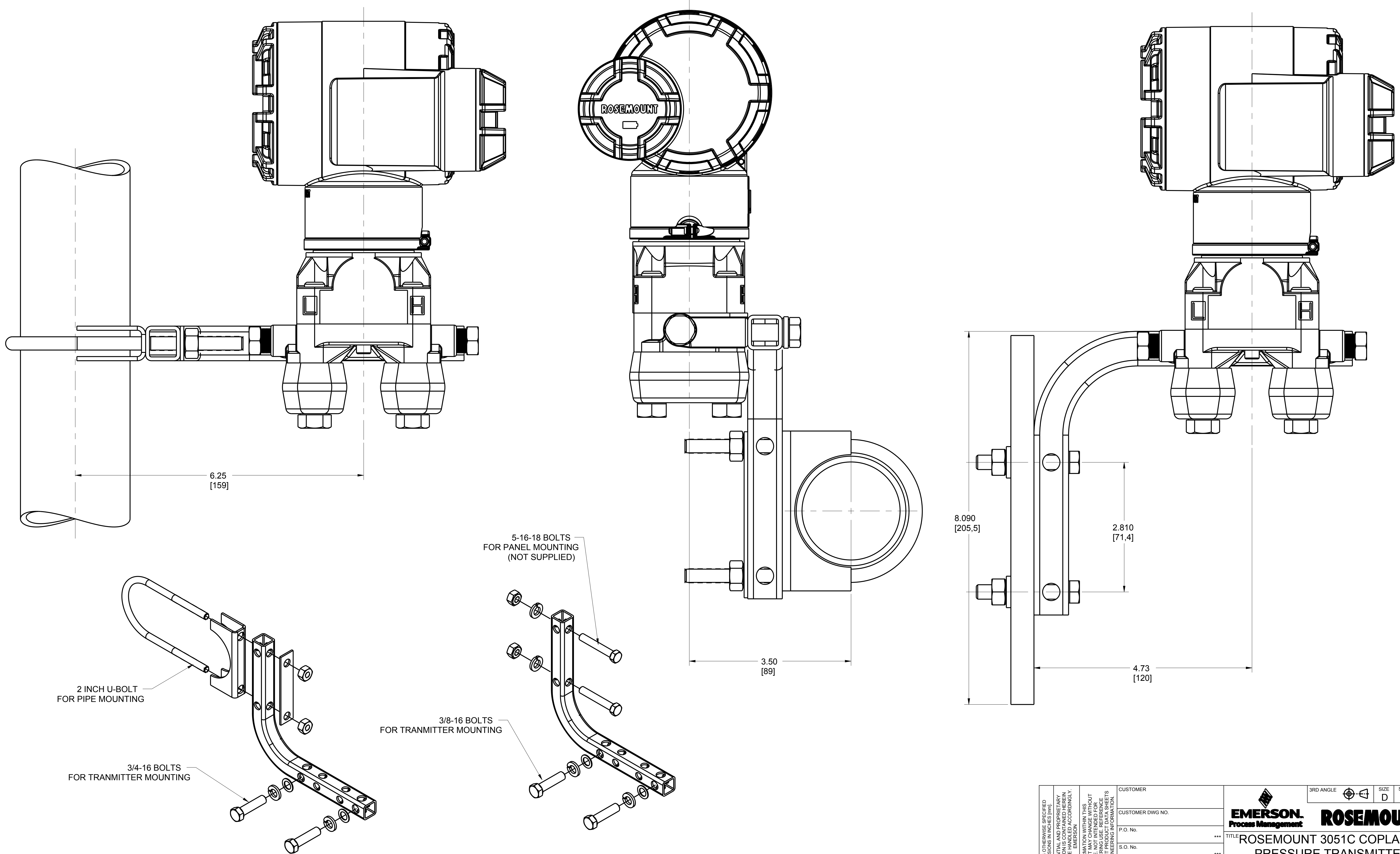
<small>UNLESS OTHERWISE SPECIFIED DIMENSIONS AND TOLERANCES CONFORM TO THE FIRST PRIORITY INFORMATION IS CONTAINED HEREIN AND MUST BE HANDLED ACCORDINGLY. EMERSON</small>	CUSTOMER	<small>3RD ANGLE</small> <small>SIZE D 1/1</small> <small>SCALE AN</small>			
	CUSTOMER DWG NO.				
	P.O. No.	***	<small>TITLE</small> ROSEMOUNT 3051C COPLANAR PRESSURE TRANSMITTER		
	S.O. No.	***	<small>PROJECT NAME</small> DR. JLA 7/23/14 DRAWING NO. 03031-1011 APPD T.WALLACE 7/23/14		
<small>DO NOT SCALE PRINT</small>		<small>CAD MAINTAINED, (PROE)</small>	<small>PRODUCT CODE</small>	<small>DOC TYPE</small>	<small>SHEET 6 OF 15</small>

DRAWING NO. 03031-1011
 TAG NO. CAL

ROSEMOUNT 3051C WIRELESS COPLANAR PRESSURE TRANSMITTER
 COPLANAR FLANGE MOUNTING CONFIGURATIONS

PIPE MOUNTING

PANEL MOUNTING



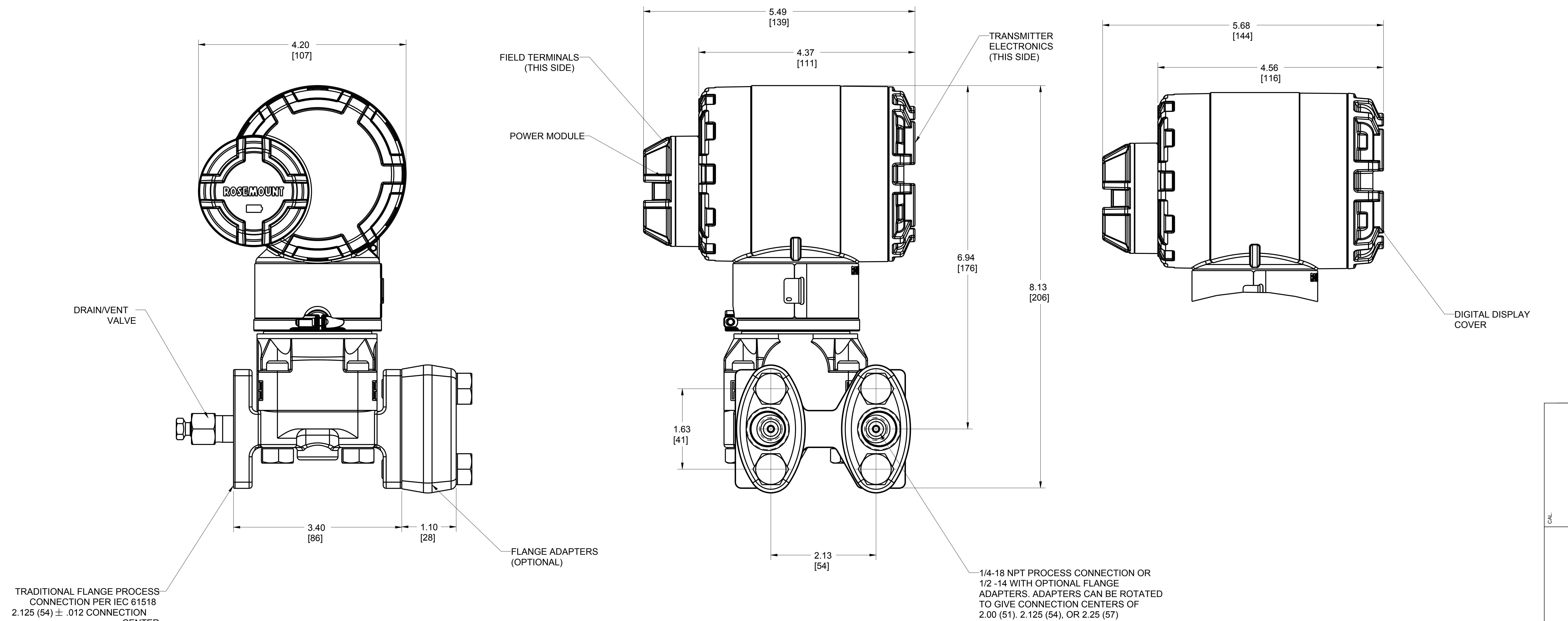
UNLESS OTHERWISE SPECIFIED DIMENSIONS AND DECIMALS INFORMATION IS CONTAINED HEREIN AND MUST BE HANDLED ACCORDINGLY. EMERSON INFORMATION WITHIN THIS DOCUMENT IS UNCLASSIFIED NOTICE NOT INTENDED FOR ENGINEERING USE. REFERENCE TO THIS DOCUMENT IS NOT AUTHORIZED FOR ENGINEERING INFORMATION.	CUSTOMER	3RD ANGLE	SIZE D	SCALE 1/1	REV AN	
	CUSTOMER DWG NO.	EMERSON Process Management ROSEMOUNT®				
	P.O. No.					
	S.O. No.	TITLE ROSEMOUNT 3051C COPLANAR PRESSURE TRANSMITTER				
	PROJECT NAME	DR. JLA 7/23/14	DRAWING NO.	03031-1011		
	APPD T.WALLACE 7/23/14					
	DO NOT SCALE PRINT	CAD MAINTAINED, (PROE)	PRODUCT CODE	DOC TYPE	SHEET 7 OF 15	

TAG NO. 03031-1011
 DRAWING NO.

ROSEMOUNT 3051C WIRELESS COPLANAR PRESSURE TRANSMITTER TRADITIONAL FLANGE MOUNTING CONFIGURATIONS

OUTPUT CODE X
POLYMER HOUSING

SHOWN WITH OPTIONAL DIGITAL DISPLAY

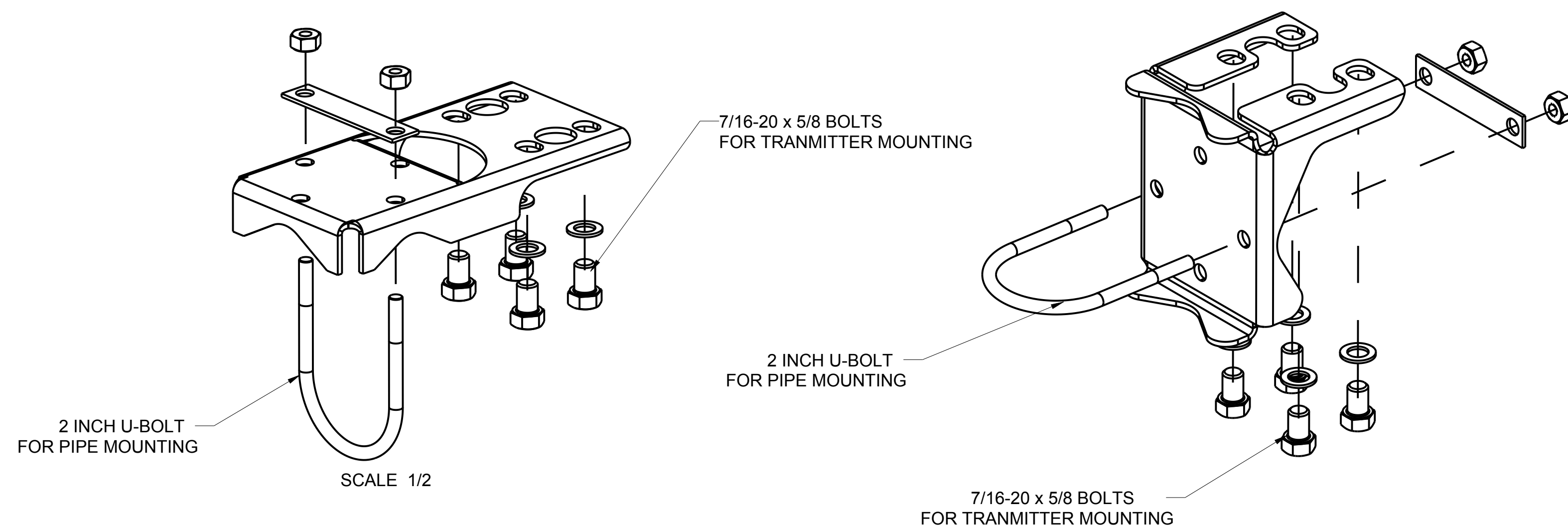
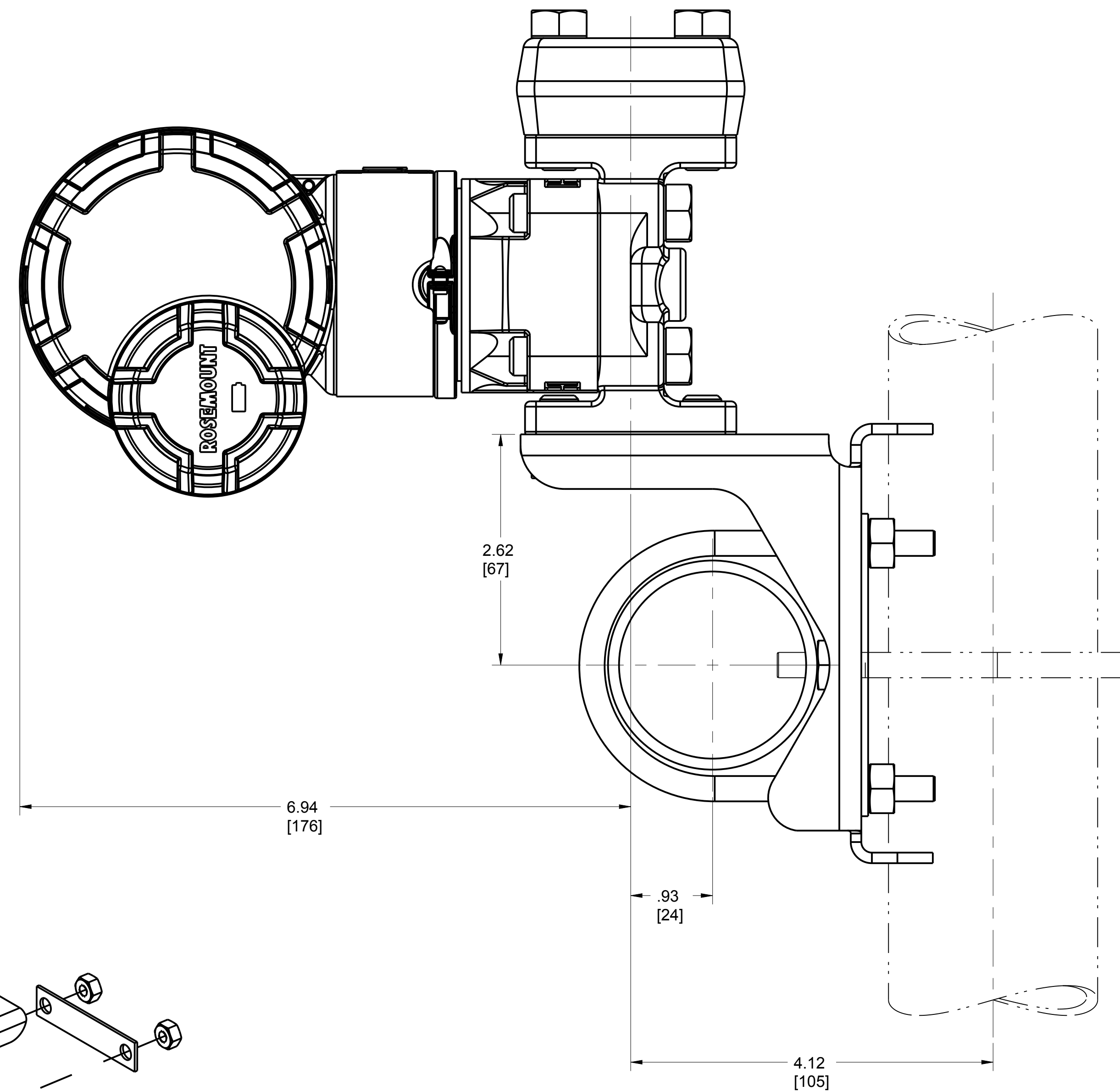
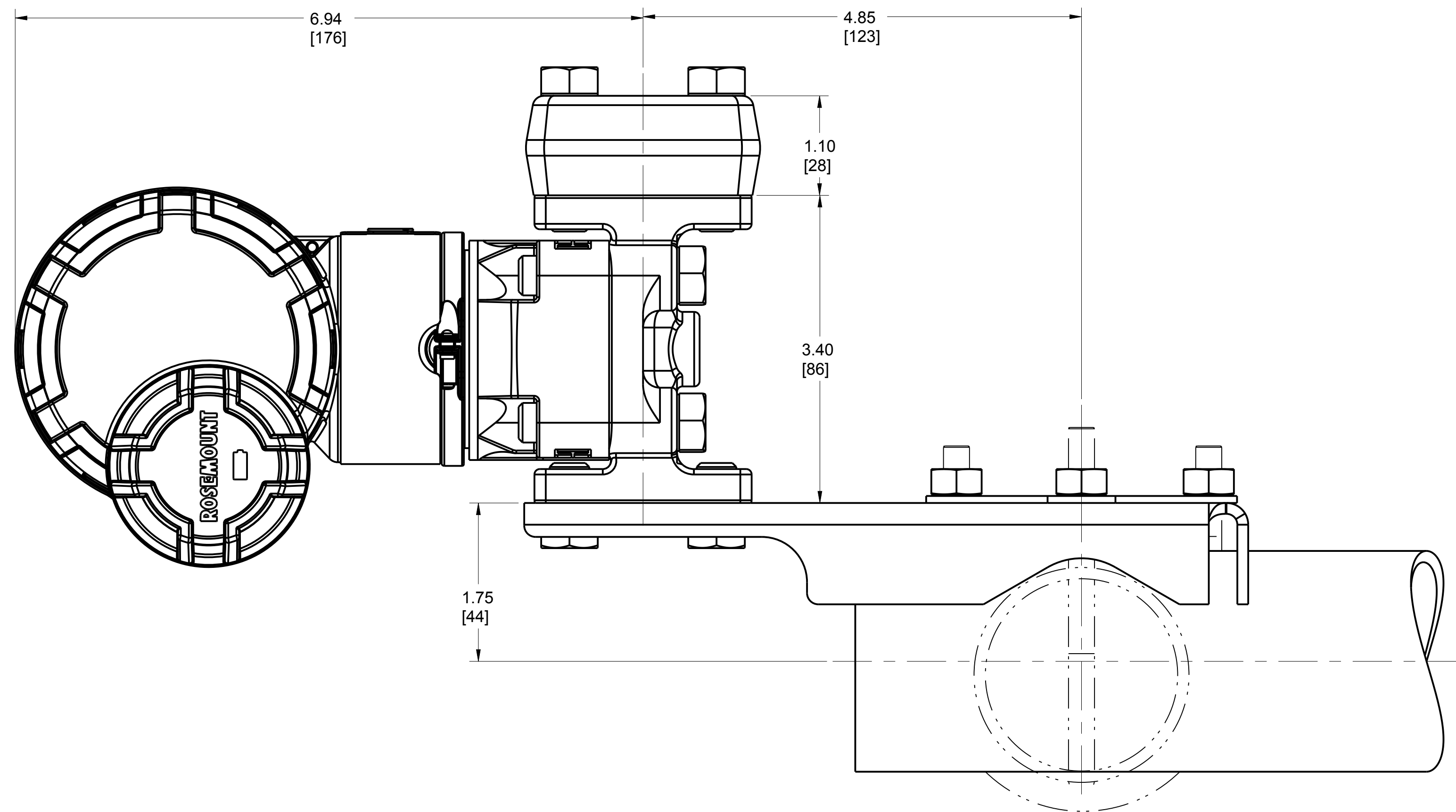


<small>UNLESS OTHERWISE SPECIFIED DIMENSIONS AND TOLERANCES CONFORM TO THE FIRST PART OF ASME Y14.5M-2009 UNLESS OTHERWISE SPECIFIED INFORMATION IS CONTAINED HEREIN AND MUST BE HANDLED ACCORDINGLY. EMERSON</small>	CUSTOMER		3RD ANGLE	SIZE	SCALE	REV
	CUSTOMER DWG NO.			D	133/400AN	
	P.O. No.	***	EMERSON Process Management			
	S.O. No.	***	ROSEMOUNT® TITLE ROSEMOUNT 3051C COPLANAR PRESSURE TRANSMITTER			
PROJECT NAME	DR.	JLA	7/23/14	DRAWING NO.		
	APPD	T.WALLACE	7/23/14	03031-1011		
DO NOT SCALE PRINT	CAD MAINTAINED, (PROE)	PRODUCT CODE	-	DOC TYPE	-	SHEET 8 OF 15

TAG NO. 03031-1011
 DRAWING NO.

ROSEMOUNT 3051C WIRELESS COPLANAR PRESSURE TRANSMITTER
 TRADITIONAL FLANGE MOUNTING CONFIGURATIONS

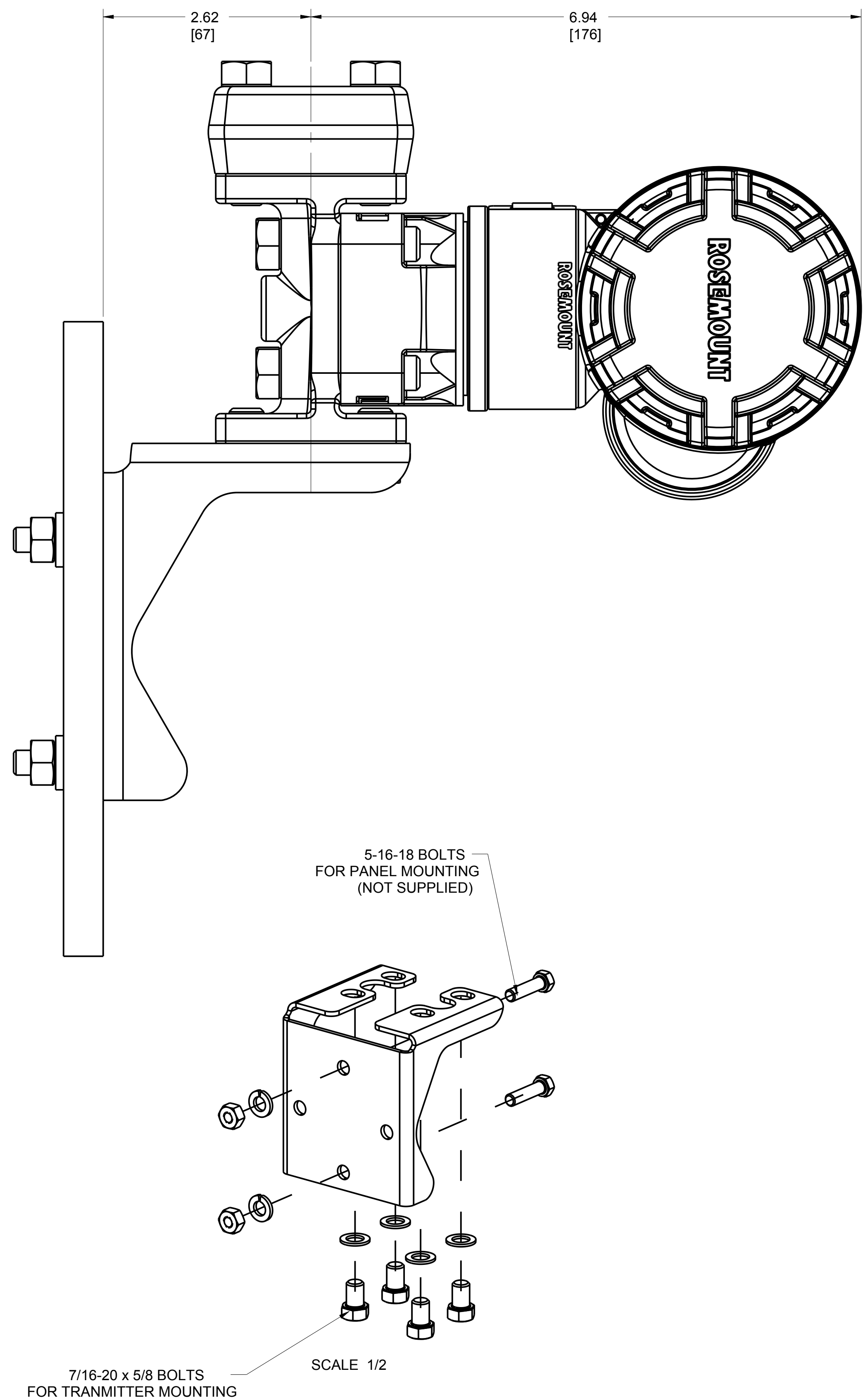
PIPE MOUNTING



<small>UNLESS OTHERWISE SPECIFIED DIMENSIONS AND UNITS SHOWN INFORMATION IS CONTAINED HEREIN AND MUST BE HANDLED ACCORDINGLY. EMERSON</small>	CUSTOMER	3RD ANGLE	SIZE	SCALE	REV
	CUSTOMER DWG NO.		D	133/400AN	
	P.O. No.	***	EMERSON Process Management		
	S.O. No.	***	ROSEMOUNT® ROSEMOUNT 3051C COPLANAR PRESSURE TRANSMITTER		
PROJECT NAME	DR.	JLA	7/23/14	DRAWING NO.	03031-1011
DO NOT SCALE PRINT	APPD	T.WALLACE	7/23/14	DOC TYPE	SHEET 9 OF 15

DRAWING NO. 03031-1011
 TAG NO. CAL.

ROSEMOUNT 3051C WIRELESS COPLANAR PRESSURE TRANSMITTER
TRADITIONAL FLANGE MOUNTING CONFIGURATIONS



<small>UNLESS OTHERWISE SPECIFIED DIMENSIONS AND TOLERANCES CONTAINED HEREIN ARE IN INCHES AND MUST BE HANDLED ACCORDINGLY. EMERSON</small>	CUSTOMER		3RD ANGLE	SIZE	SCALE	REV
	CUSTOMER DWG NO.			D	133/40	DAN
	P.O. No.	***	EMERSON Process Management			
	S.O. No.	***	ROSEMOUNT® TITLE ROSEMOUNT 3051C COPLANAR PRESSURE TRANSMITTER			
PROJECT NAME	DR.	JLA	7/23/14	DRAWING NO.		
***	APPD	T.WALLACE	7/23/14	03031-1011		
DO NOT SCALE PRINT	CAD MAINTAINED, (PRO/E)	PRODUCT CODE	-	DOC TYPE	-	SHEET 10 OF 15

TAG NO. 03031-1011
 DRAWING NO.

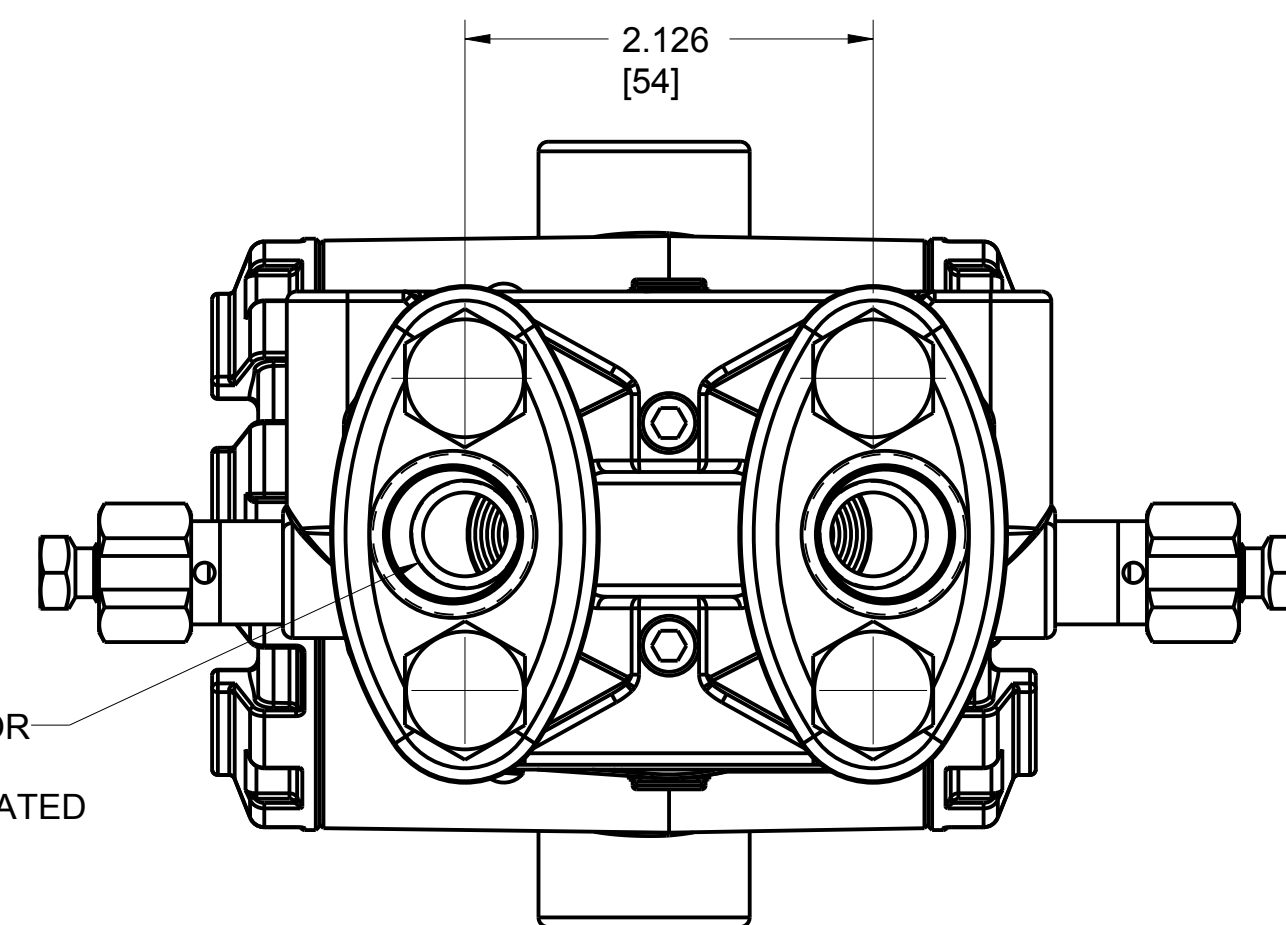
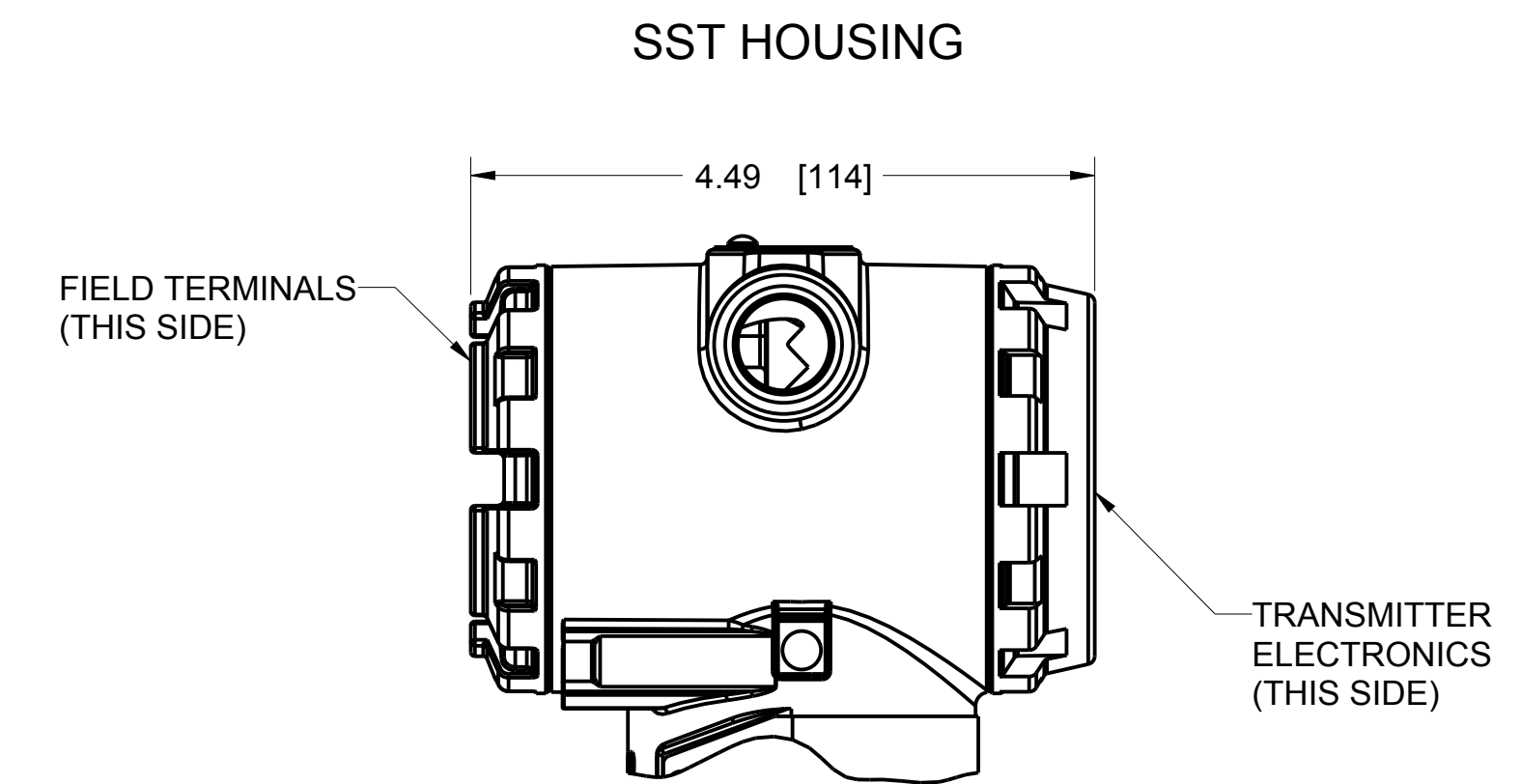
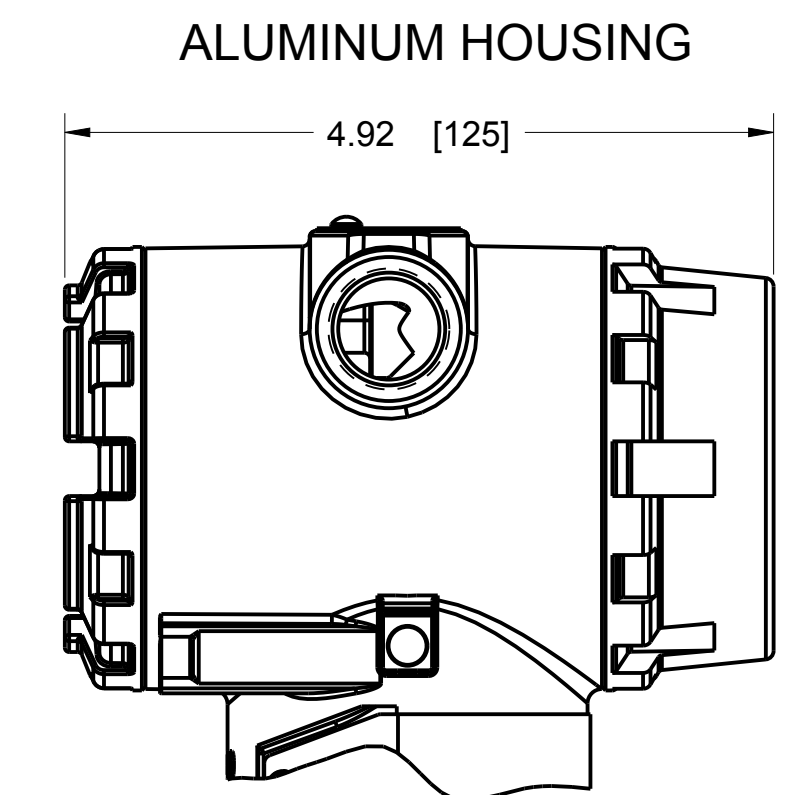
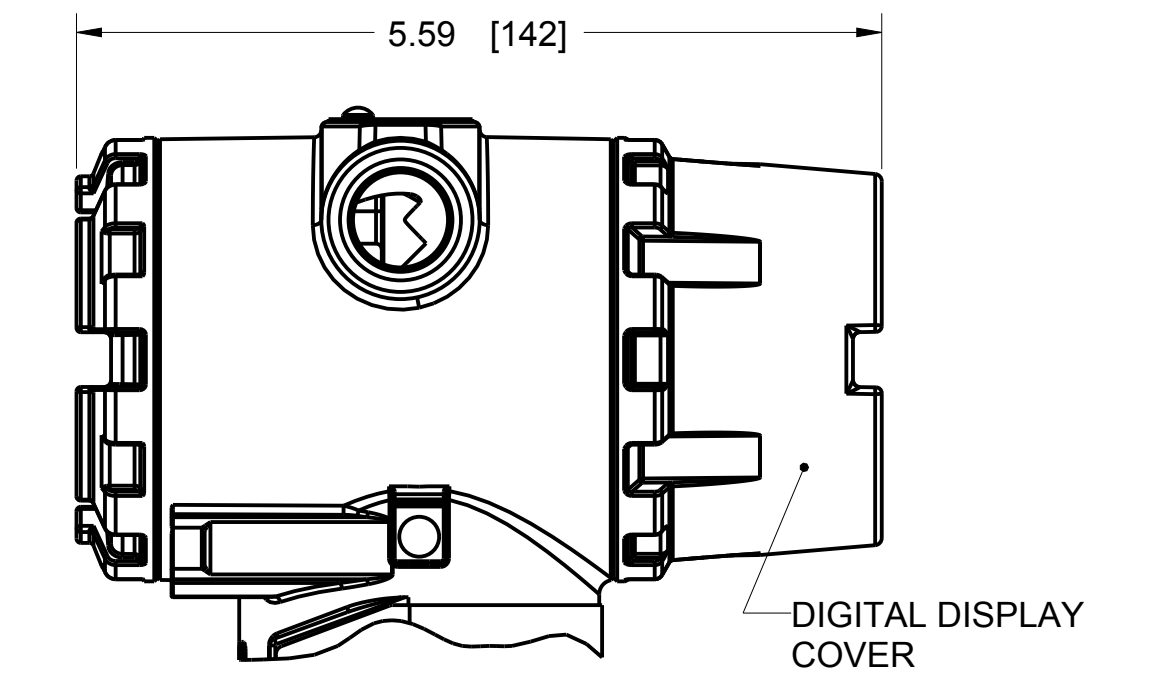
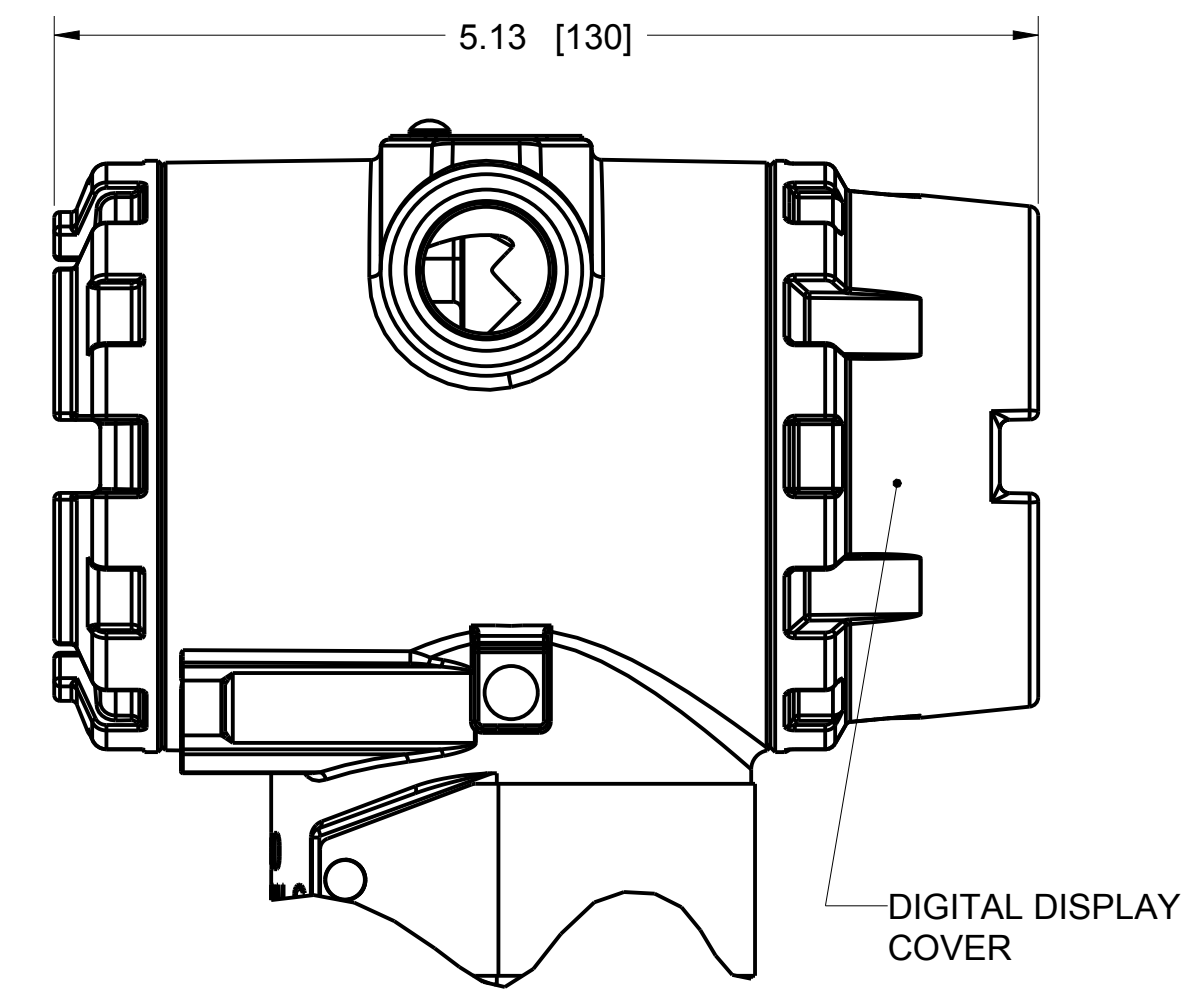
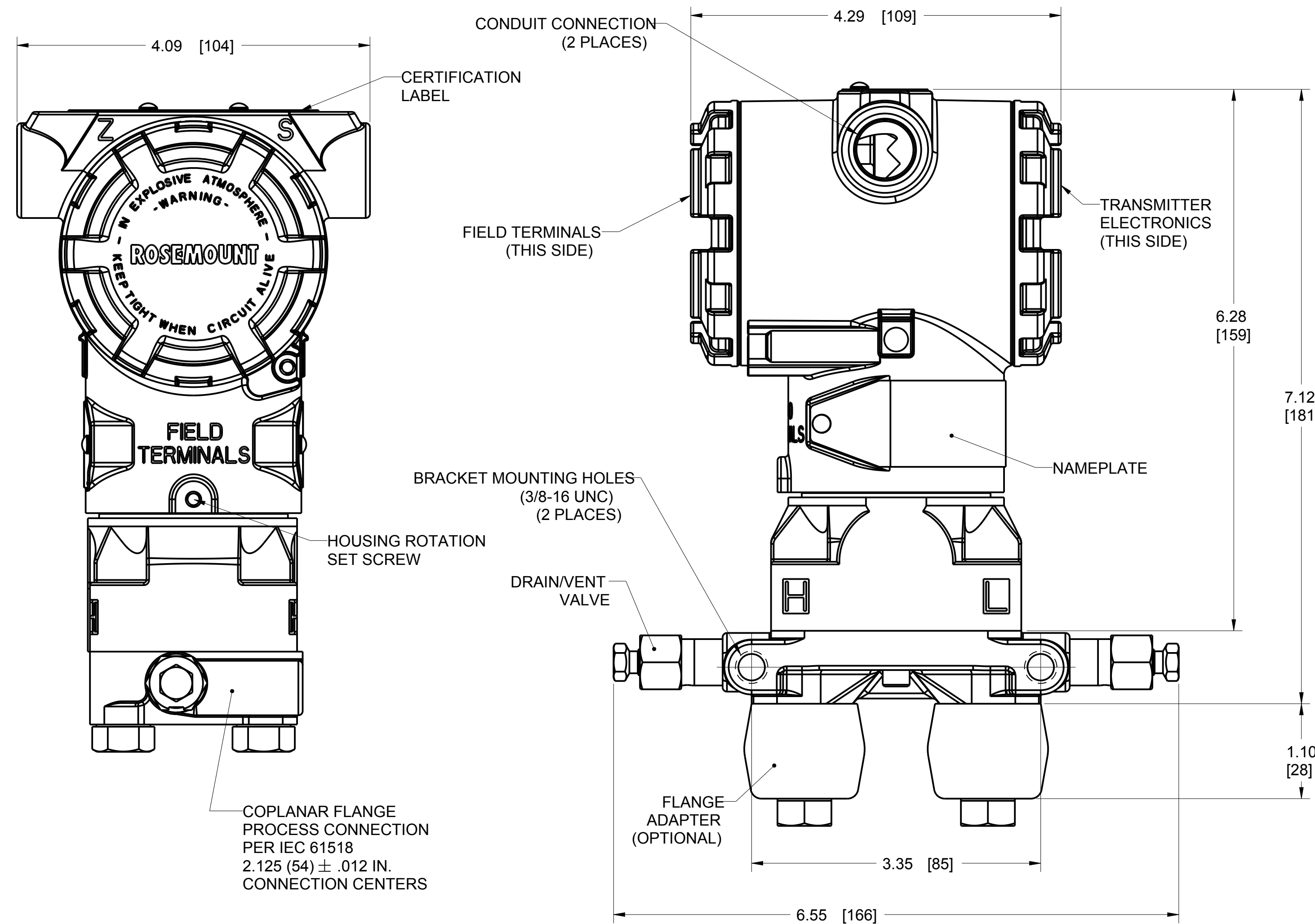
ROSEMOUNT 3051C COPLANAR PRESSURE TRANSMITTER
 COPLANAR FLANGE PROCESS CONNECTION

OUTPUT CODE (M)
 ALUMINUM/SST HOUSING

SHOWN WITH OPTIONAL DIGITAL DISPLAY

OUTPUT CODE (W) AND (F) (SEE NOTE 3)

ALUMINUM/SST HOUSING
 SHOWN WITH OPTIONAL DIGITAL DISPLAY



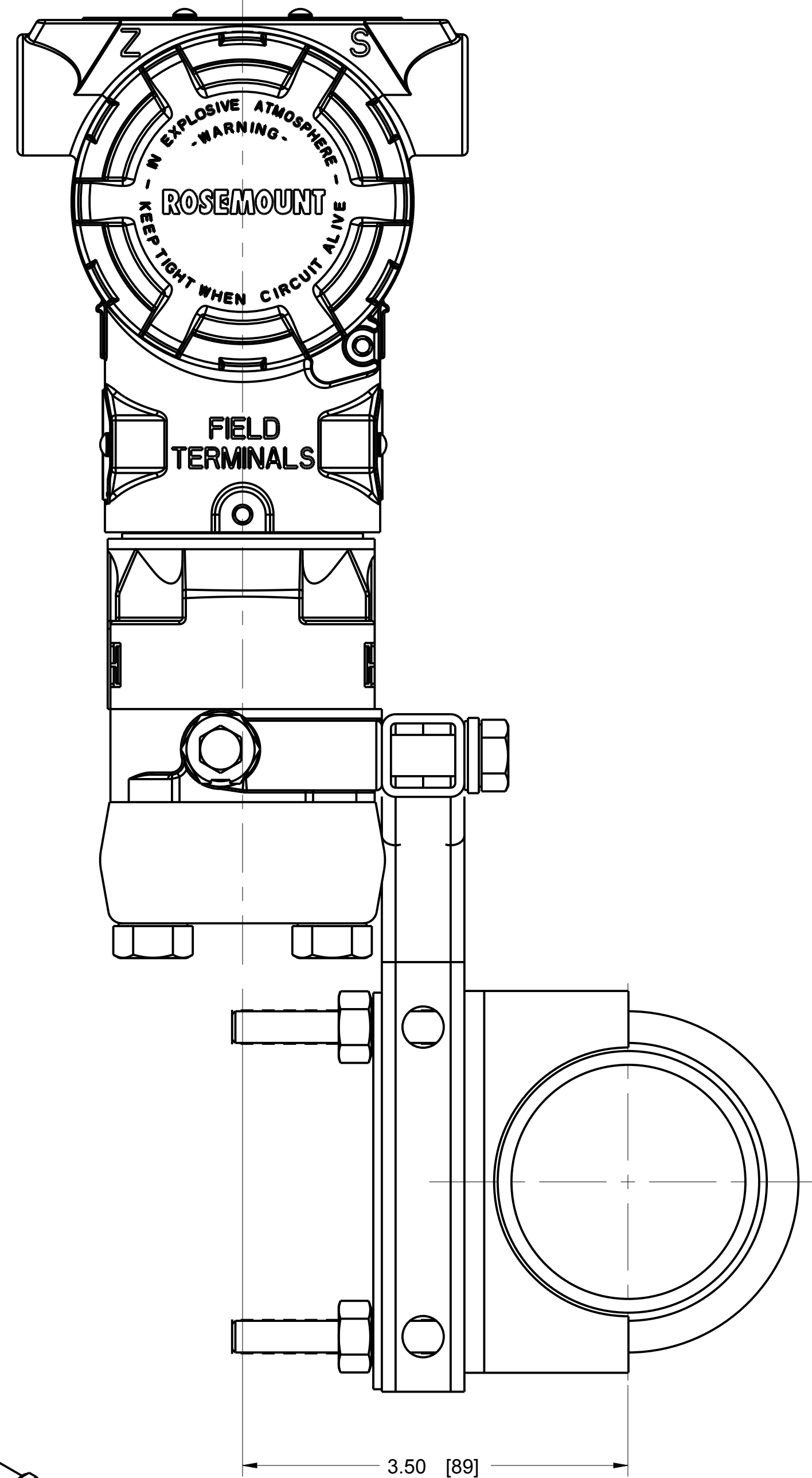
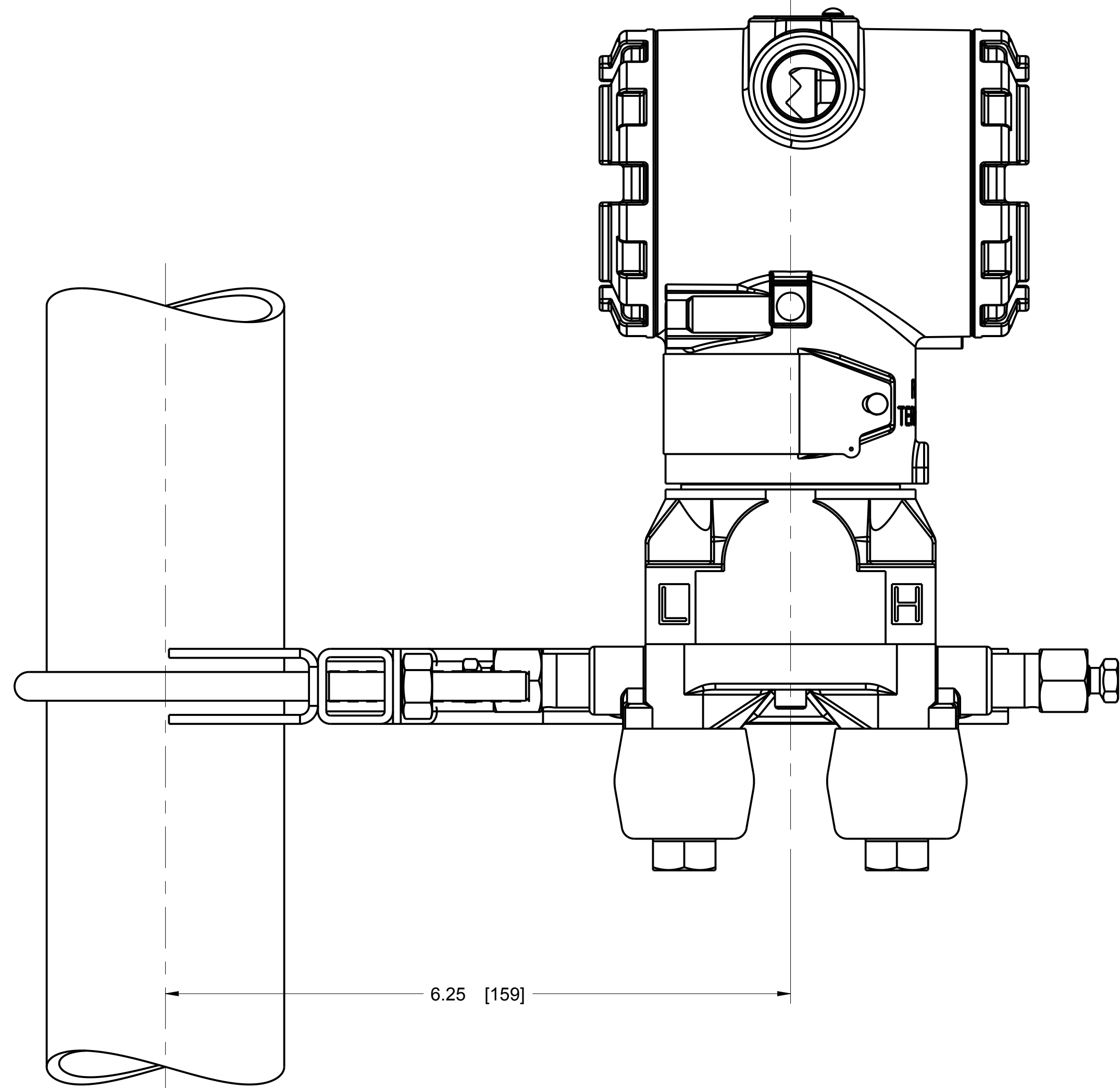
1/4-18 NPT PROCESS CONNECTION OR 1/2-14 NPT WITH OPTIONAL FLANGE ADAPTERS. ADAPTERS CAN BE ROTATED TO GIVE CONNECTION CENTERS OF 2.00 (51), 2.125 (54), OR 2.25 (57)

<small>UNLESS OTHERWISE SPECIFIED DIMENSIONS AND UNITS ARE IN INCHES AND POUNDS PER SQUARE INCH. INFORMATION IS CONTAINED HEREIN AND MUST BE HANDLED ACCORDINGLY. EMERSON</small>	CUSTOMER			3RD ANGLE		SIZE D	SCALE 1/1	REV AN	
	CUSTOMER DWG NO.	ROSEMOUNT 3051C COPLANAR PRESSURE TRANSMITTER							
	P.O. No.	***							
	S.O. No.	***							
PROJECT NAME	DR. JLA 7/23/14	DRAWING NO.	03031-1011						
	APPD T.WALLACE 7/23/14								
DO NOT SCALE PRINT	CAD MAINTAINED, (PRO/E)	PRODUCT CODE	DOC TYPE	SHEET 11 OF 15					

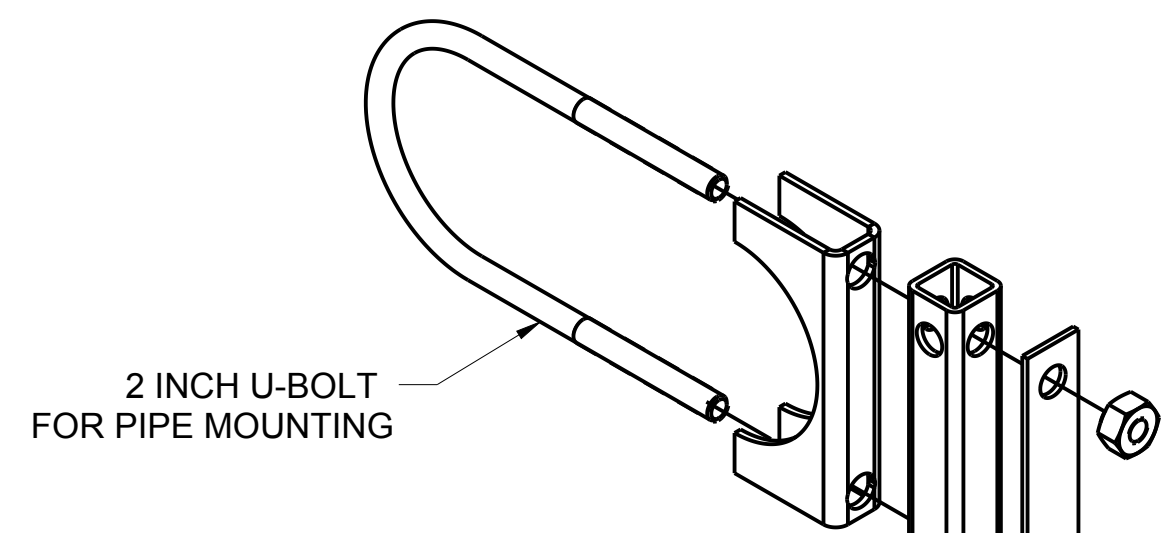
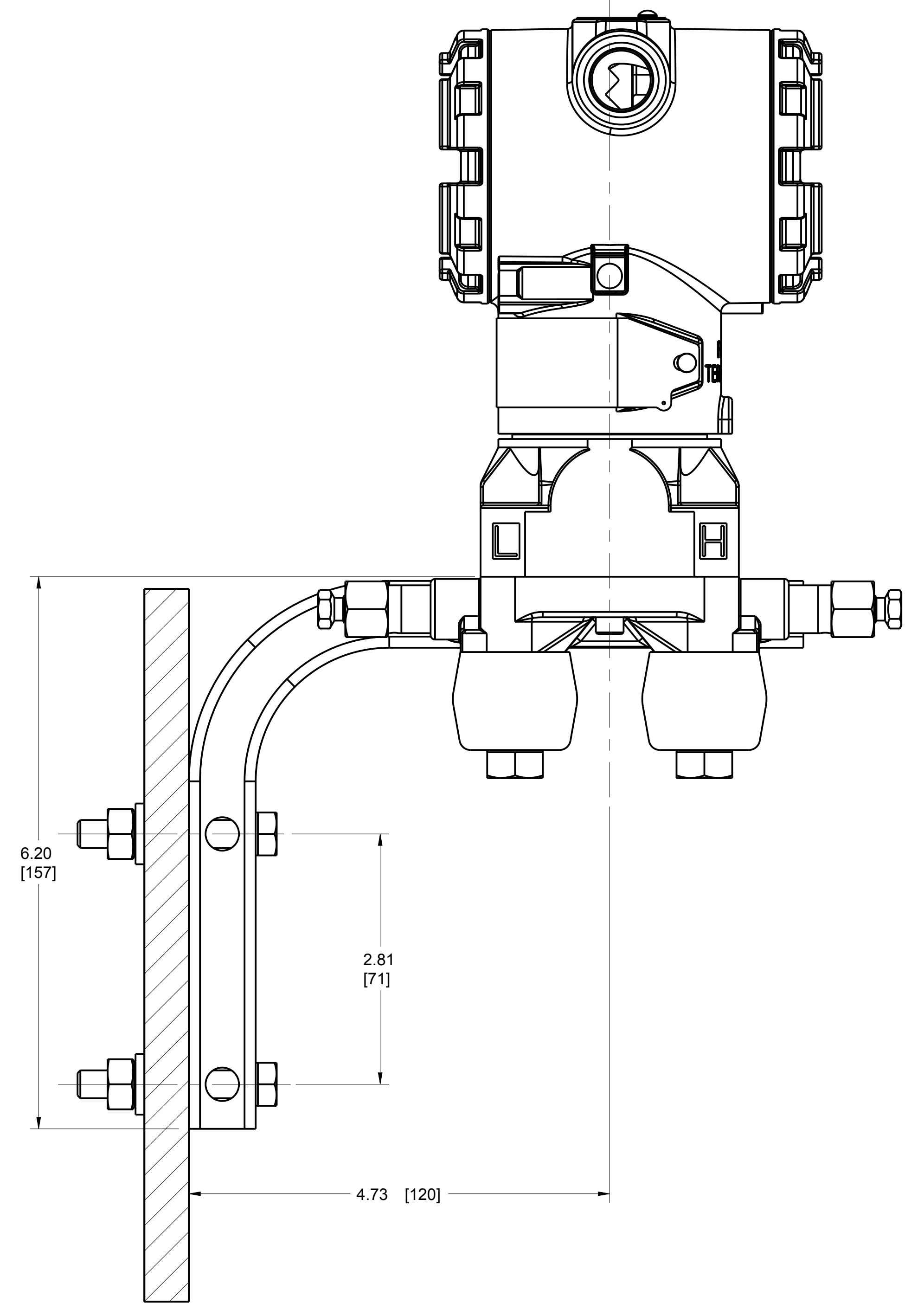
CAL. TAG NO. 03031-1011 DRAWING NO.

ROSEMOUNT 3051C COPLANAR PRESSURE TRANSMITTER COPLANAR FLANGE MOUNTING CONFIGURATIONS

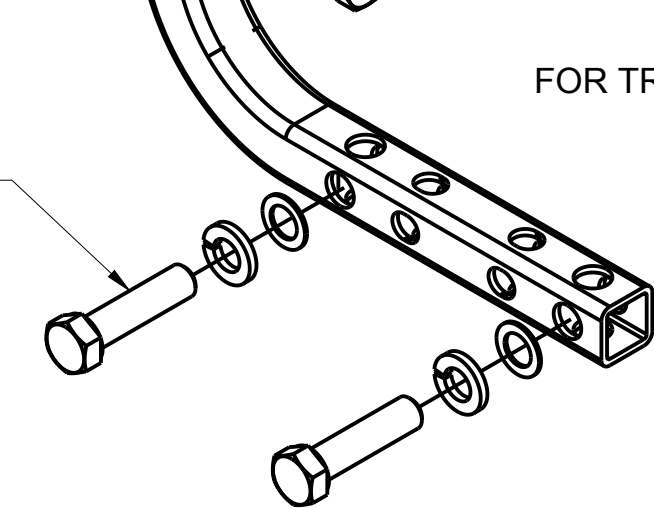
PIPE MOUNTING



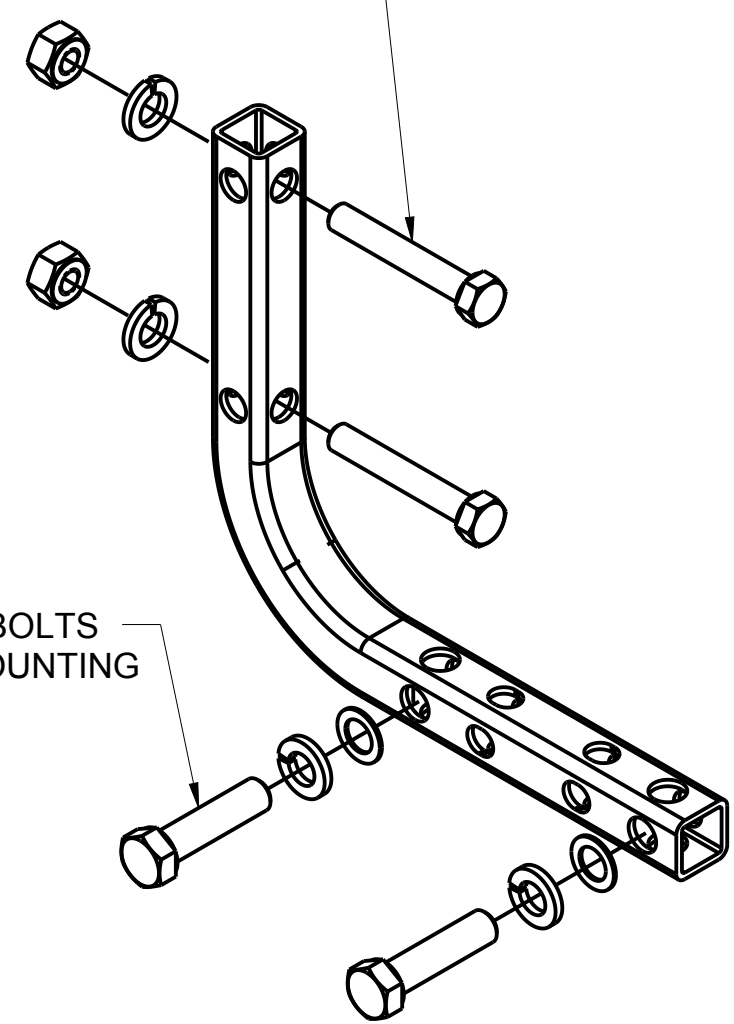
PANEL MOUNTING



3/8-16 BOLTS FOR TRANSMITTER MOUNTING



5/16-18 BOLTS FOR PANEL MOUNTING (NOT SUPPLIED)



3/8-16 BOLTS FOR TRANSMITTER MOUNTING

<small>UNLESS OTHERWISE SPECIFIED DIMENSIONS AND TOLERANCES INFORMATION IS CONTAINED HEREIN AND MUST BE HANDLED ACCORDINGLY. EMERSON</small>	CUSTOMER	<small>3RD ANGLE</small> <small>SIZE D 1/1</small> <small>SCALE AN</small>		
	CUSTOMER DWG NO.	EMERSON ROSEMOUNT <small>Process Management</small>		
	P.O. No.	TITLE ROSEMOUNT 3051C COPLANAR PRESSURE TRANSMITTER		
	S.O. No.	<small>DRAWING NO.</small> 03031-1011		
PROJECT NAME	DR. JLA 7/23/14	<small>APPD</small> T.WALLACE 7/23/14		
DO NOT SCALE PRINT	CAD MAINTAINED, (PRO/E)	PRODUCT CODE	DOC TYPE	SHEET 12 OF 15

DRAWING NO. 03031-1011
 TAG NO. CAL

ROSEMOUNT 3051C COPLANAR PRESSURE TRANSMITTER TRADITIONAL FLANGE PROCESS CONNECTION

OUTPUT CODE (M) ALUMINUM/SST HOUSING

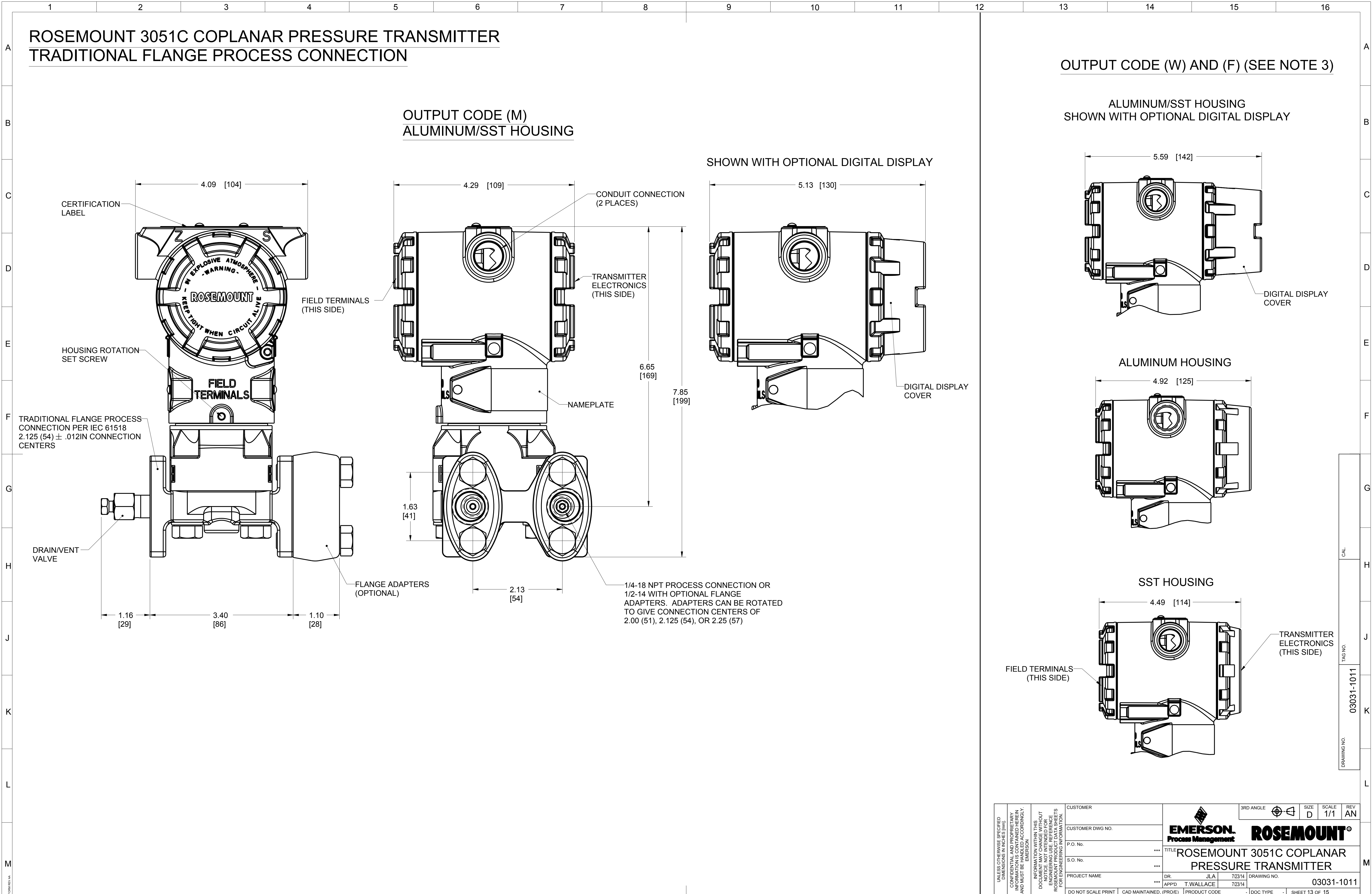
SHOWN WITH OPTIONAL DIGITAL DISPLAY

OUTPUT CODE (W) AND (F) (SEE NOTE 3)

ALUMINUM/SST HOUSING SHOWN WITH OPTIONAL DIGITAL DISPLAY

ALUMINUM HOUSING

SST HOUSING

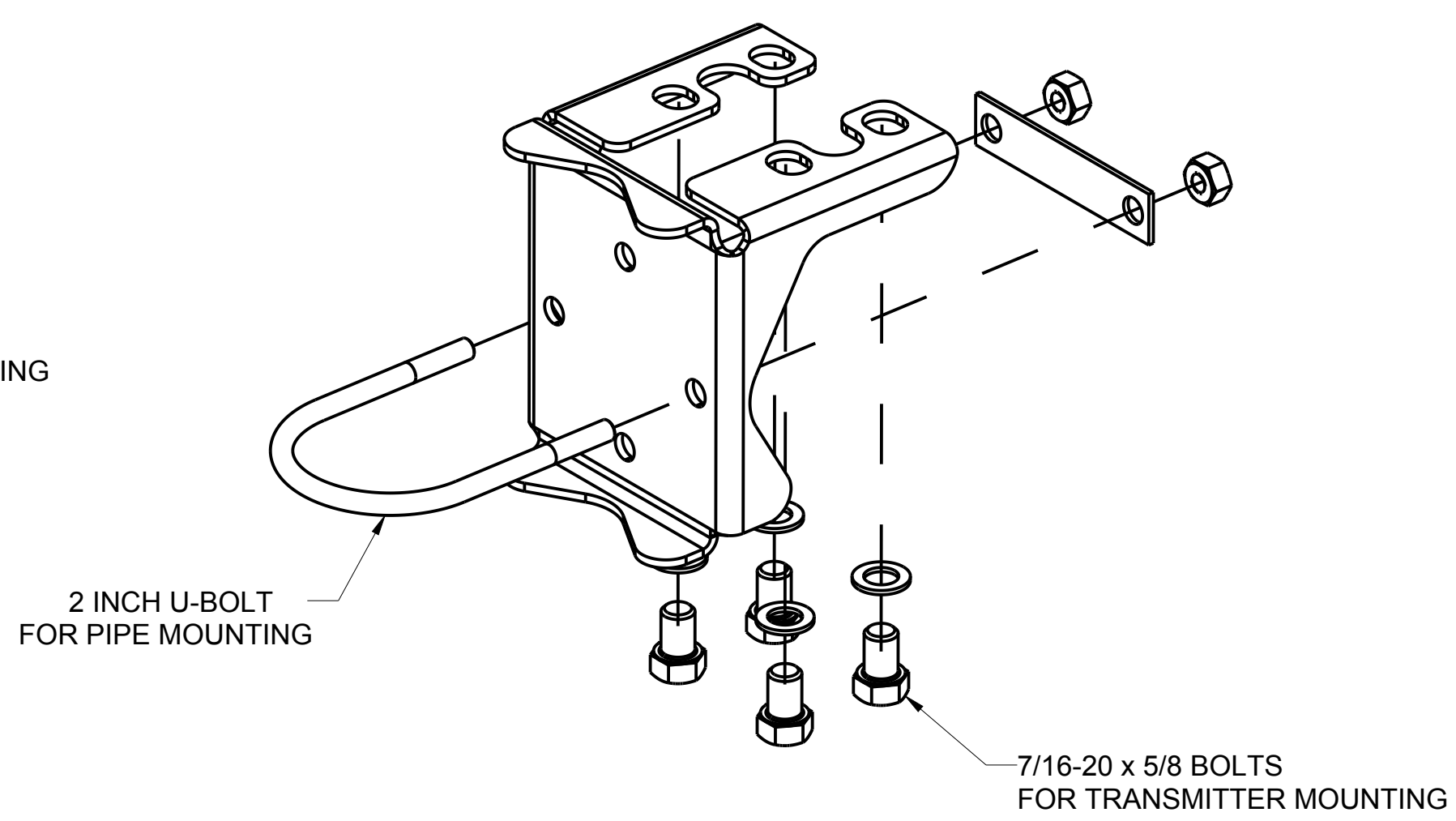
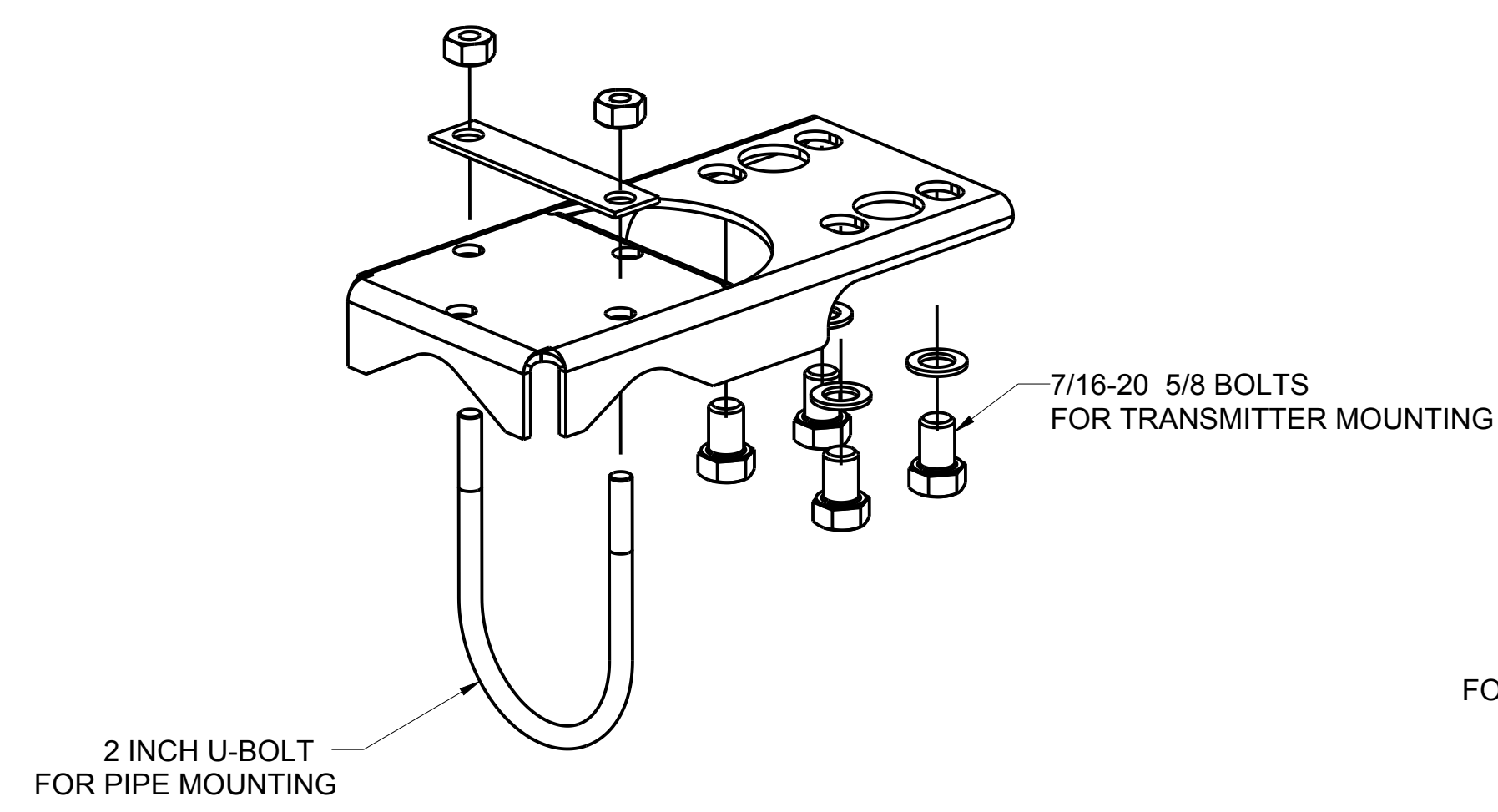
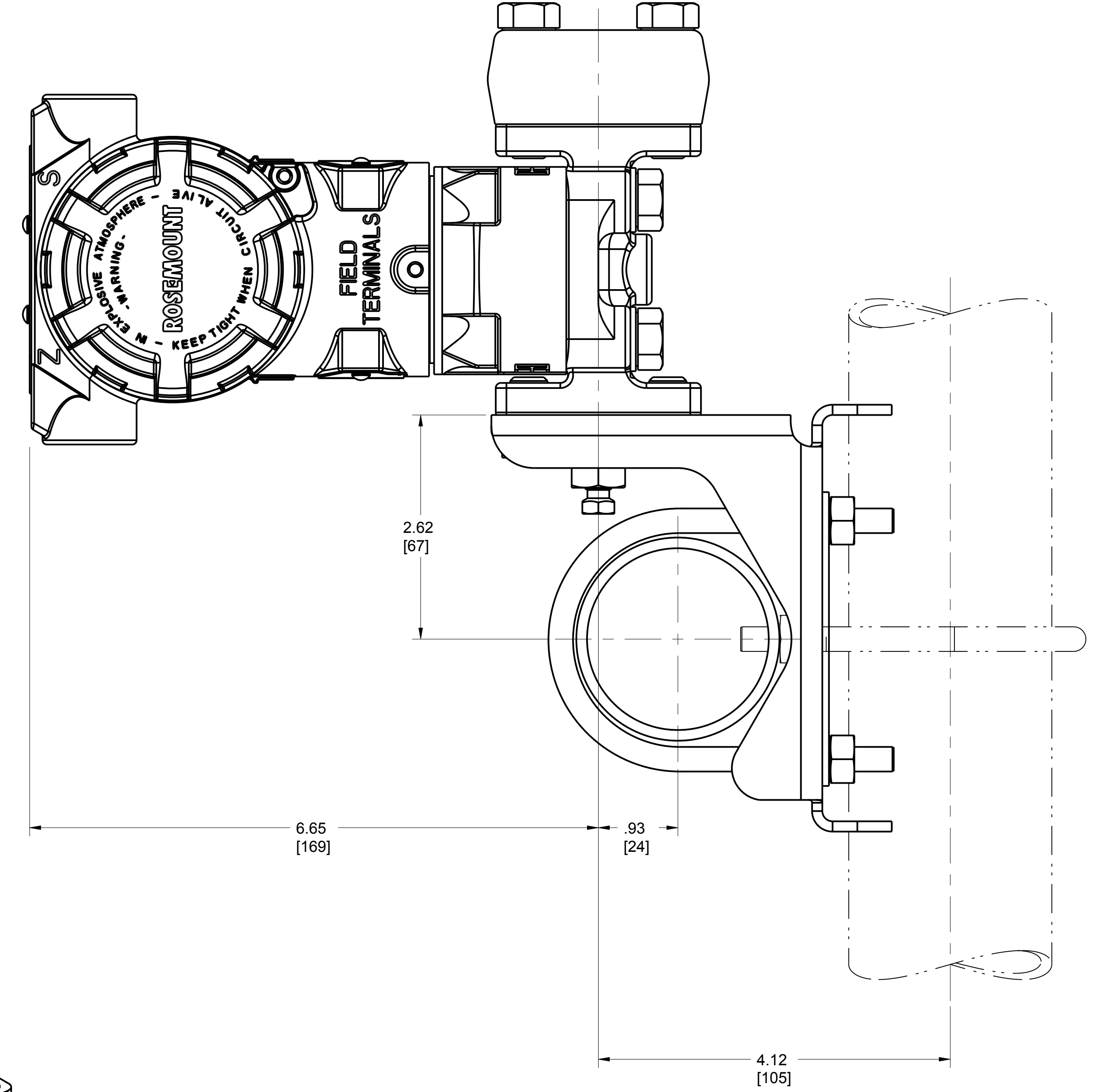
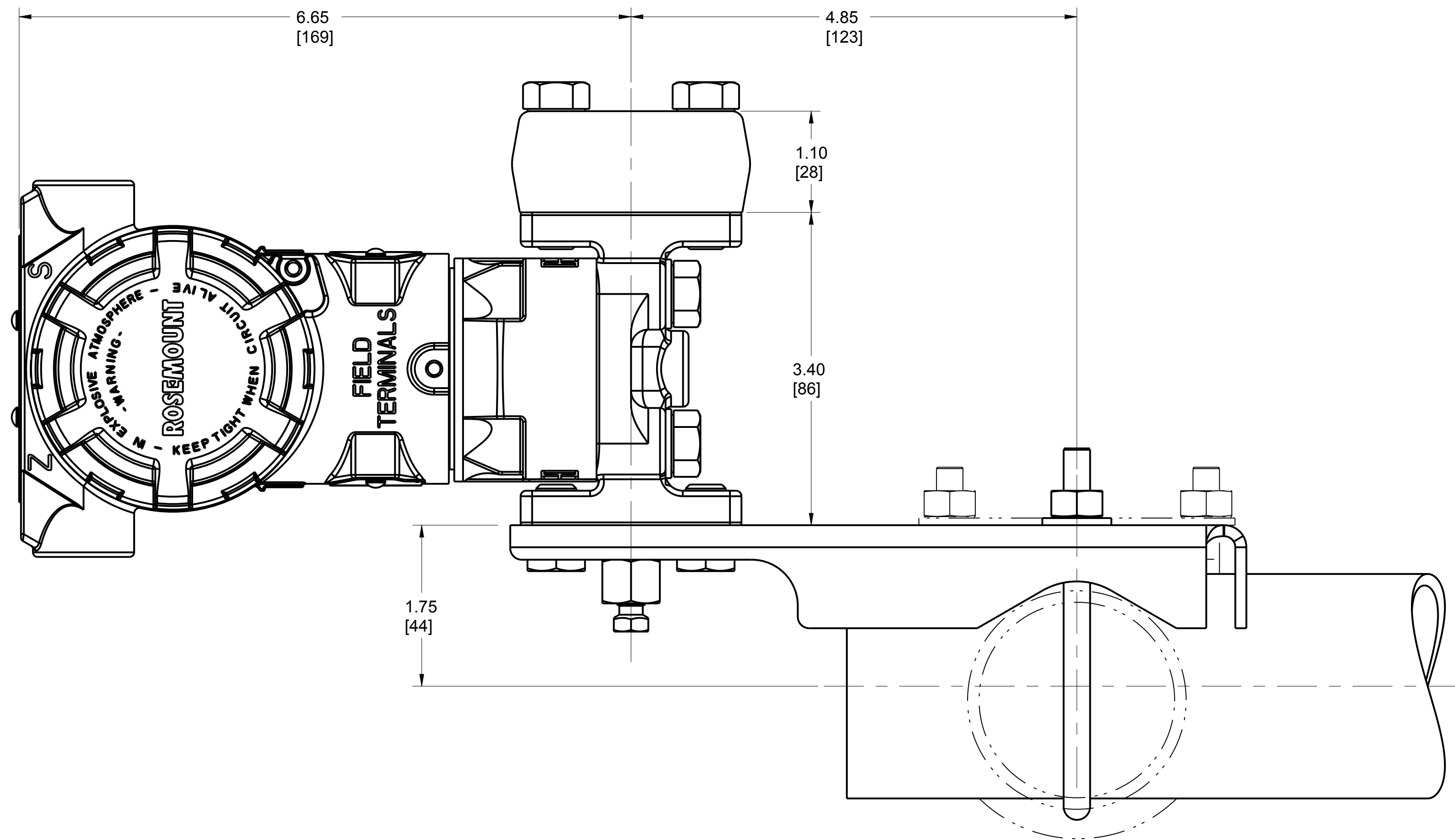


<small>UNLESS OTHERWISE SPECIFIED DIMENSIONS AND TOLERANCES CONTAINED HEREIN ARE IN INCHES AND MUST BE HANDLED ACCORDINGLY. EMERSON</small>	CUSTOMER	<small>3RD ANGLE</small> <small>SIZE D 1/1</small> <small>REV AN</small>			
	CUSTOMER DWG NO.				
	P.O. No.	<small>TITLE</small> ROSEMOUNT 3051C COPLANAR PRESSURE TRANSMITTER			
	S.O. No.	<small>PROJECT NAME</small> DR. JLA 7/23/14 DRAWING NO. 03031-1011			
<small>DO NOT SCALE PRINT</small>		<small>CAD MAINTAINED, (PRO/E)</small>	<small>PRODUCT CODE</small>	<small>DOC TYPE</small>	<small>SHEET 13 OF 15</small>

CAL. TAG NO. 03031-1011 DRAWING NO.

ROSEMOUNT 3051C COPLANAR PRESSURE TRANSMITTER TRADITIONAL FLANGE MOUNTING CONFIGURATIONS

PIPE MOUNTING

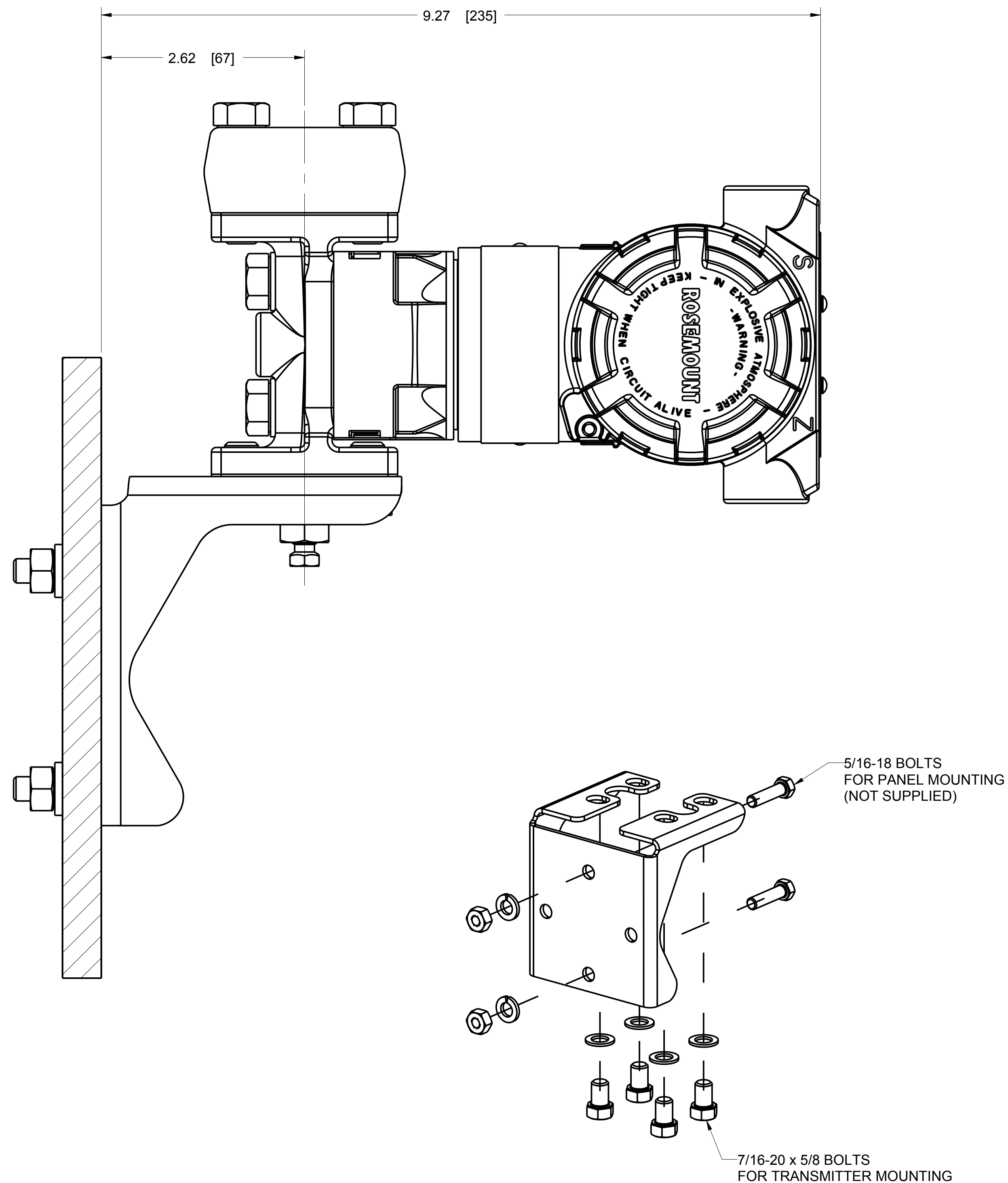


<small>UNLESS OTHERWISE SPECIFIED DIMENSIONS AND UNITS SHOWN HEREIN ARE IN INCHES AND DECIMALS THEREOF. ALL DIMENSIONS AND TOLERANCES ARE TO BE HOLDING UNLESS OTHERWISE SPECIFIED.</small>	CUSTOMER	3RD ANGLE	SIZE	SCALE	REV
	CUSTOMER DWG NO.		D	1/1	AN
	P.O. No.	***			
	S.O. No.	***	TITLE ROSEMOUNT 3051C COPLANAR PRESSURE TRANSMITTER		
PROJECT NAME	DR. JLA 7/23/14	DRAWING NO.		03031-1011	
	APPD T.WALLACE 7/23/14				
DO NOT SCALE PRINT	CAD MAINTAINED, (PRO/E)	PRODUCT CODE	DOC TYPE	SHEET 14 OF 15	

TAG NO. 03031-1011
 DRAWING NO.

ROSEMOUNT 3051C COPLANAR PRESSURE TRANSMITTER TRADITIONAL FLANGE MOUNTING CONFIGURATIONS

PANEL MOUNTING



<small>UNLESS OTHERWISE SPECIFIED DIMENSIONS AND TOLERANCES CONFORM TO THE FIRST EDITION OF THE ASME Y14.5-2009 DIMENSIONAL PRACTICES AND TOLERANCES FOR MECHANICAL DRAWING.</small>	<small>INFORMATION WITHIN THIS DRAWING IS UNCLASSIFIED UNLESS INDICATED OTHERWISE BY A CLASSIFICATION CODE AND DATE.</small>		<small>3RD ANGLE</small>	<small>SIZE</small> D	<small>SCALE</small> 1/1	<small>REV</small> AN	
	<small>EMERSON Process Management</small>		ROSEMOUNT®				
	<small>CUSTOMER</small> CUSTOMER DWG NO.	<small>P.O. No.</small>	<small>S.O. No.</small>	<small>TITLE</small> ROSEMOUNT 3051C COPLANAR PRESSURE TRANSMITTER			
	<small>PROJECT NAME</small>	<small>DR.</small> APPD T.WALLACE	<small>JLA</small> 7/23/14	<small>DRAWING NO.</small> 03031-1011	<small>DO NOT SCALE PRINT</small>		

TAG NO. 03031-1011
 DRAWING NO.

