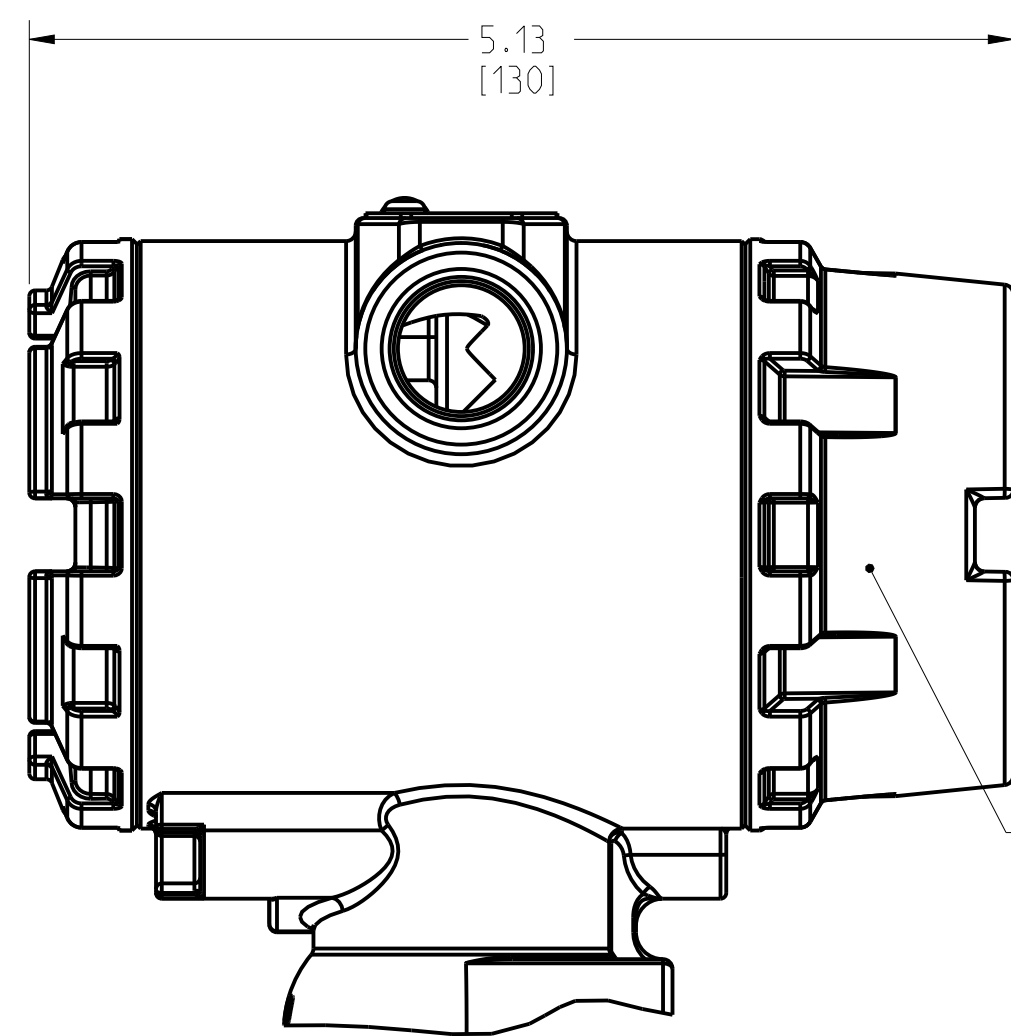


ROSEMOUNT 2088 ABSOLUTE AND GAGE PRESSURE TRANSMITTER

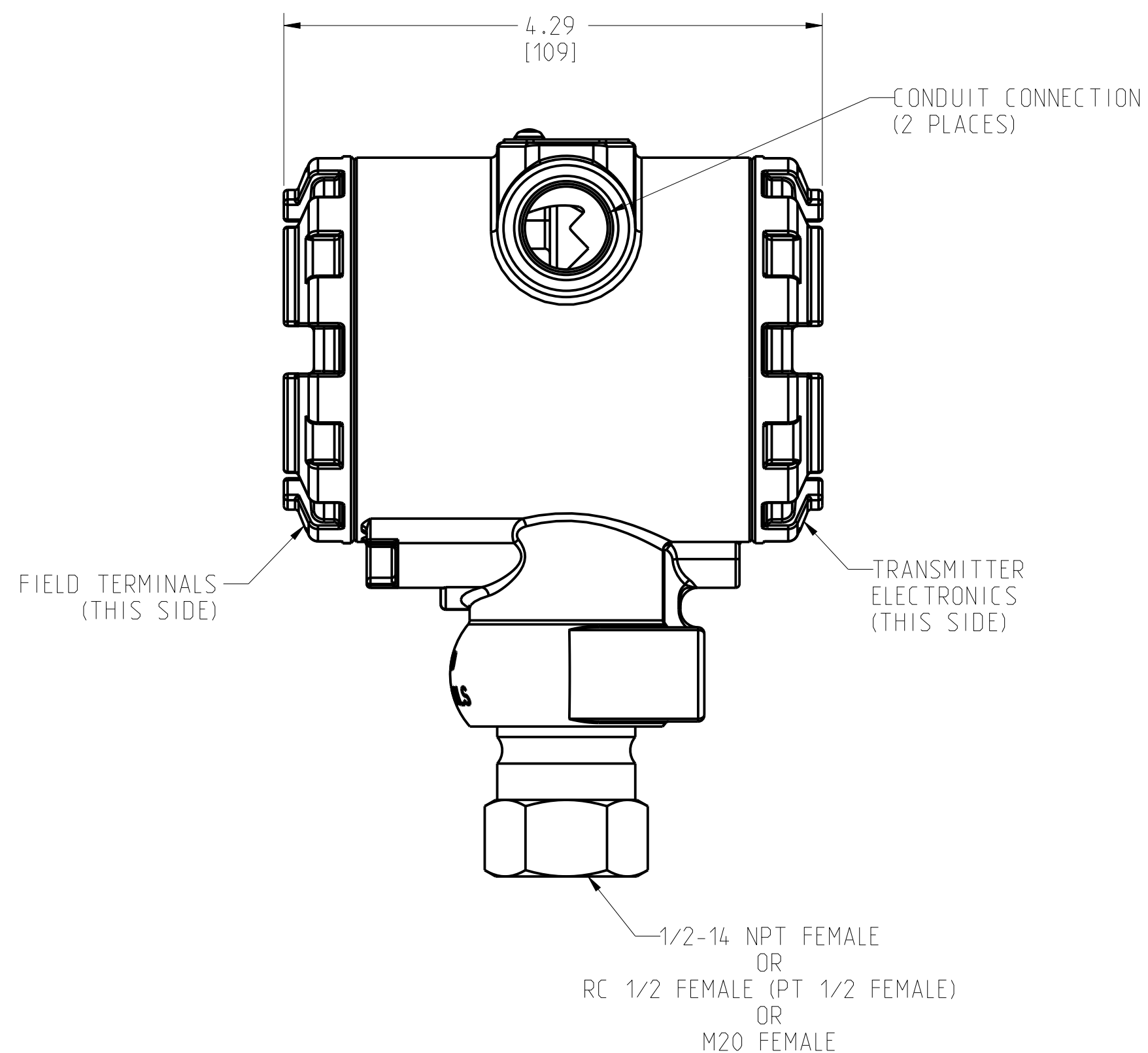
1/2-14 NPT FEMALE OR RC 1/2 FEMALE (PT 1/2 FEMALE) PROCESS CONNECTION

REVISION TABLE			
REVISION	ECO NO.	APP'D	DATE
AE	RTC1055957	LF	1/18/13
DESCRIPTION			
UPDATE VIEWS TO FRONT PAGE			

SHOWN WITH OPTIONAL DIGITAL DISPLAY



DIGITAL DISPLAY COVER

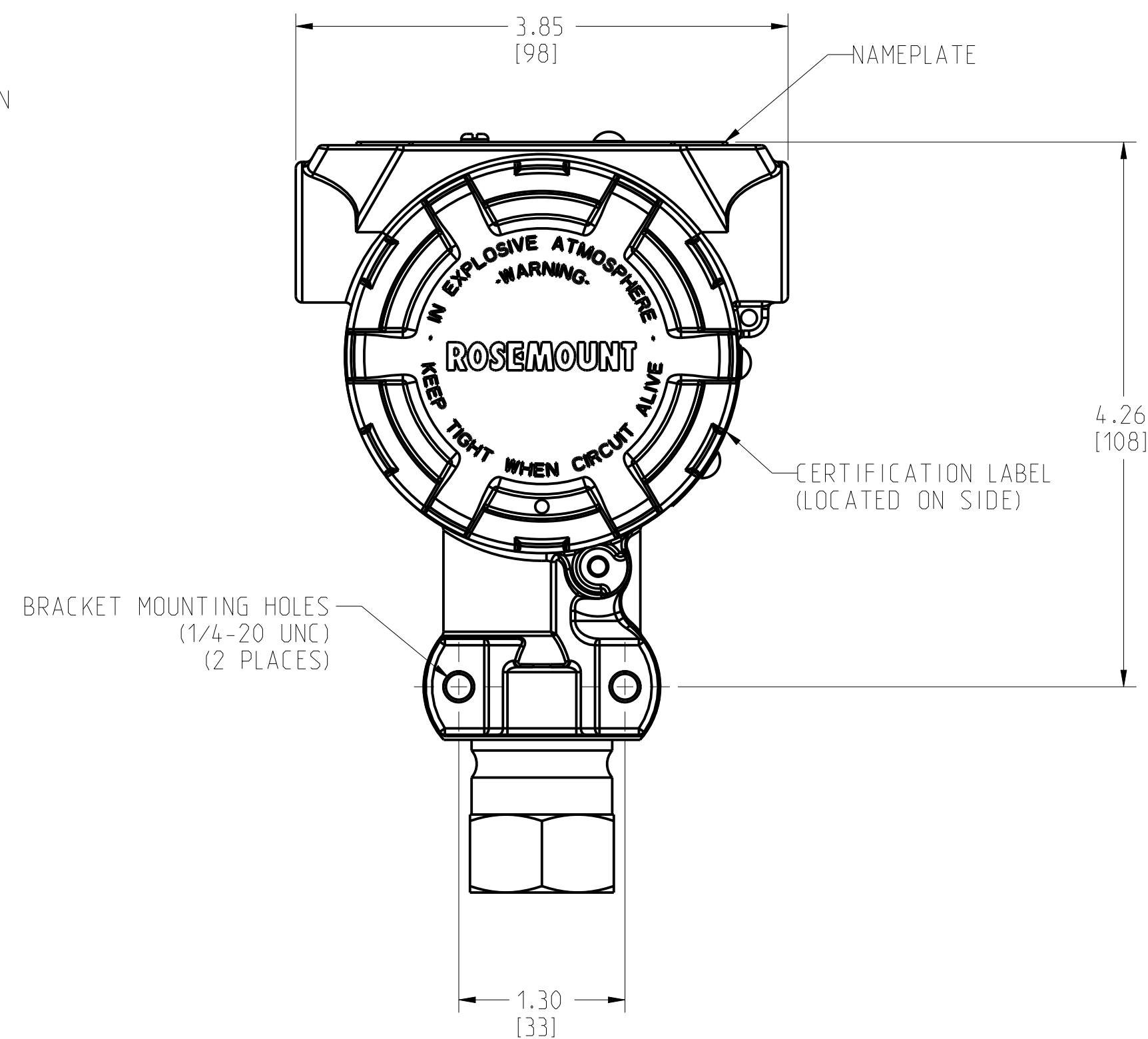


FIELD TERMINALS (THIS SIDE)

CONDUIT CONNECTION (2 PLACES)

TRANSMITTER ELECTRONICS (THIS SIDE)

1/2-14 NPT FEMALE
OR
RC 1/2 FEMALE (PT 1/2 FEMALE)
OR
M20 FEMALE



NAMEPLATE

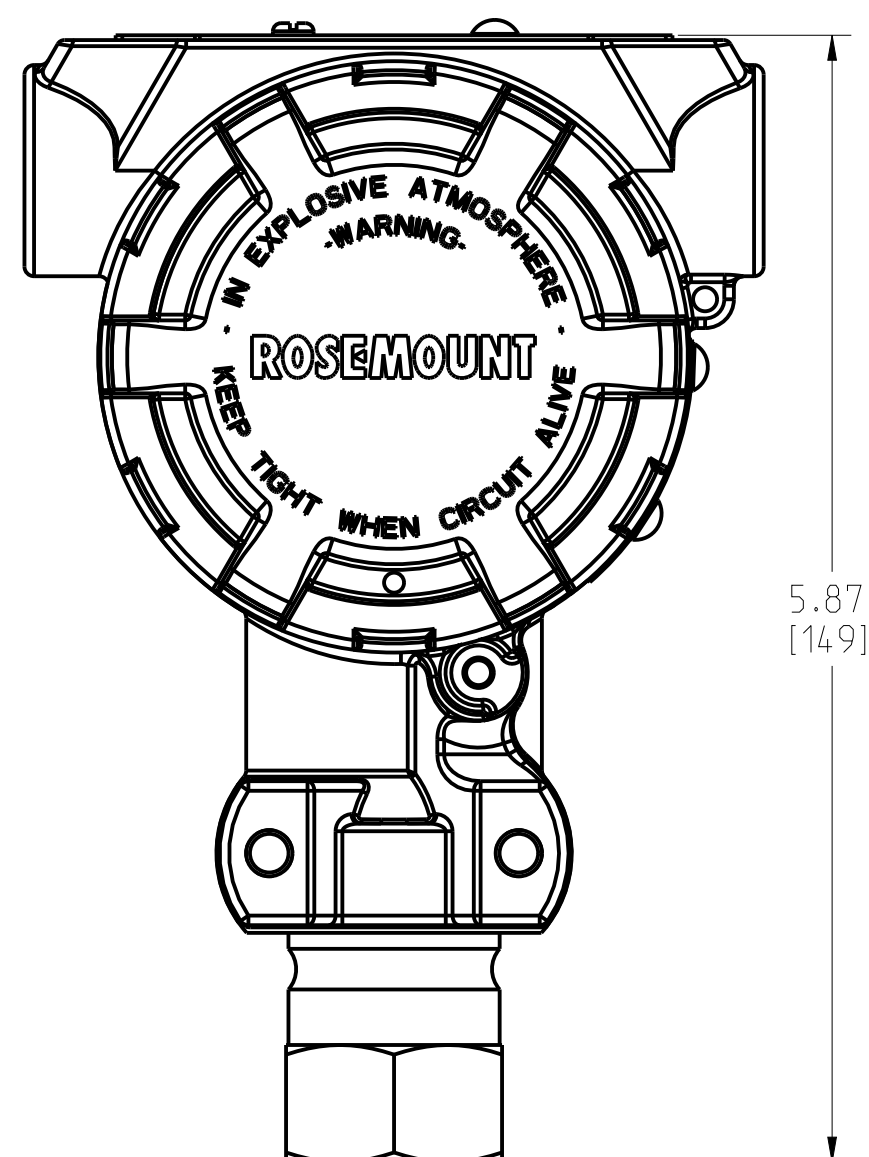
CERTIFICATION LABEL (LOCATED ON SIDE)

BRACKET MOUNTING HOLES (1/4-20 UNC) (2 PLACES)

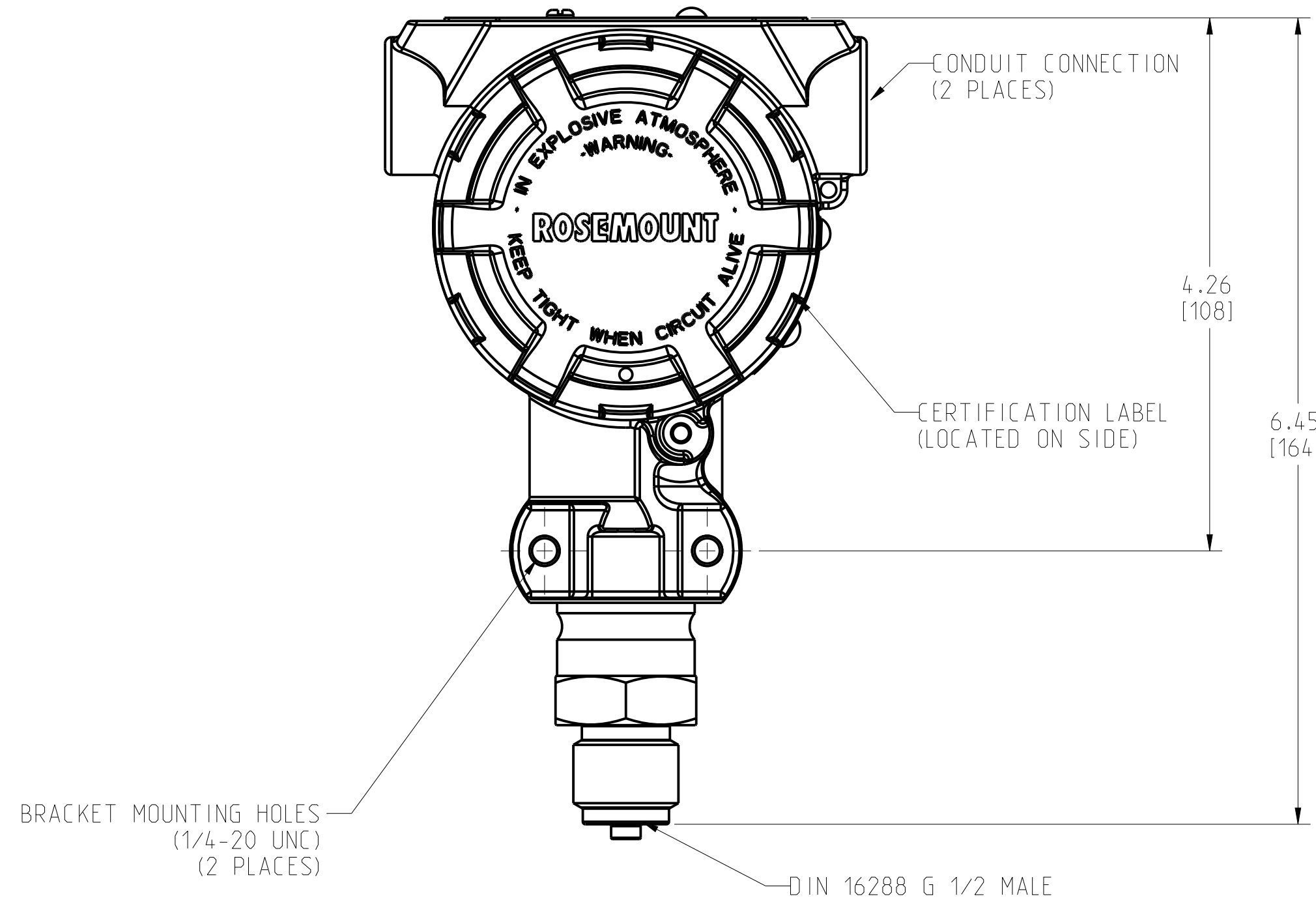
4.26 [108]

1.30 [33]

DIN 16288 G 1/2 MALE



5.87 [149]



CONDUIT CONNECTION (2 PLACES)

CERTIFICATION LABEL (LOCATED ON SIDE)

4.26 [108]

6.45 [164]

BRACKET MOUNTING HOLES (1/4-20 UNC) (2 PLACES)

DIN 16288 G 1/2 MALE

2. .75 [19] CLEARANCE REQUIRED TO REMOVE COVERS

1. ROSEMOUNT INC. CERTIFIES THESE DRAWINGS ARE IN ACCORDANCE WITH ROSEMOUNT ENGINEERING SPECIFICATIONS AND ACCURATELY REPRESENT THE EQUIPMENT FURNISHED.

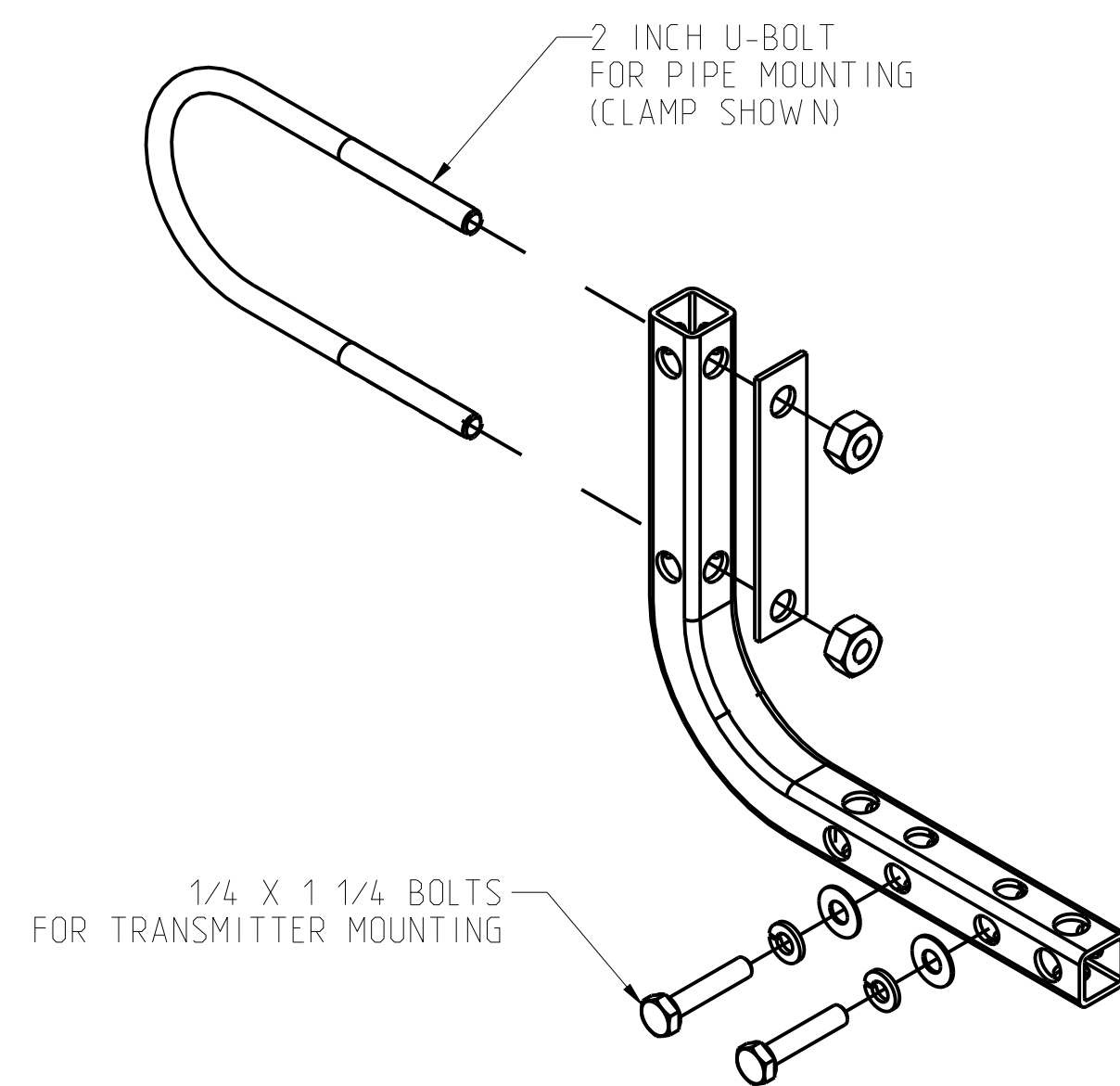
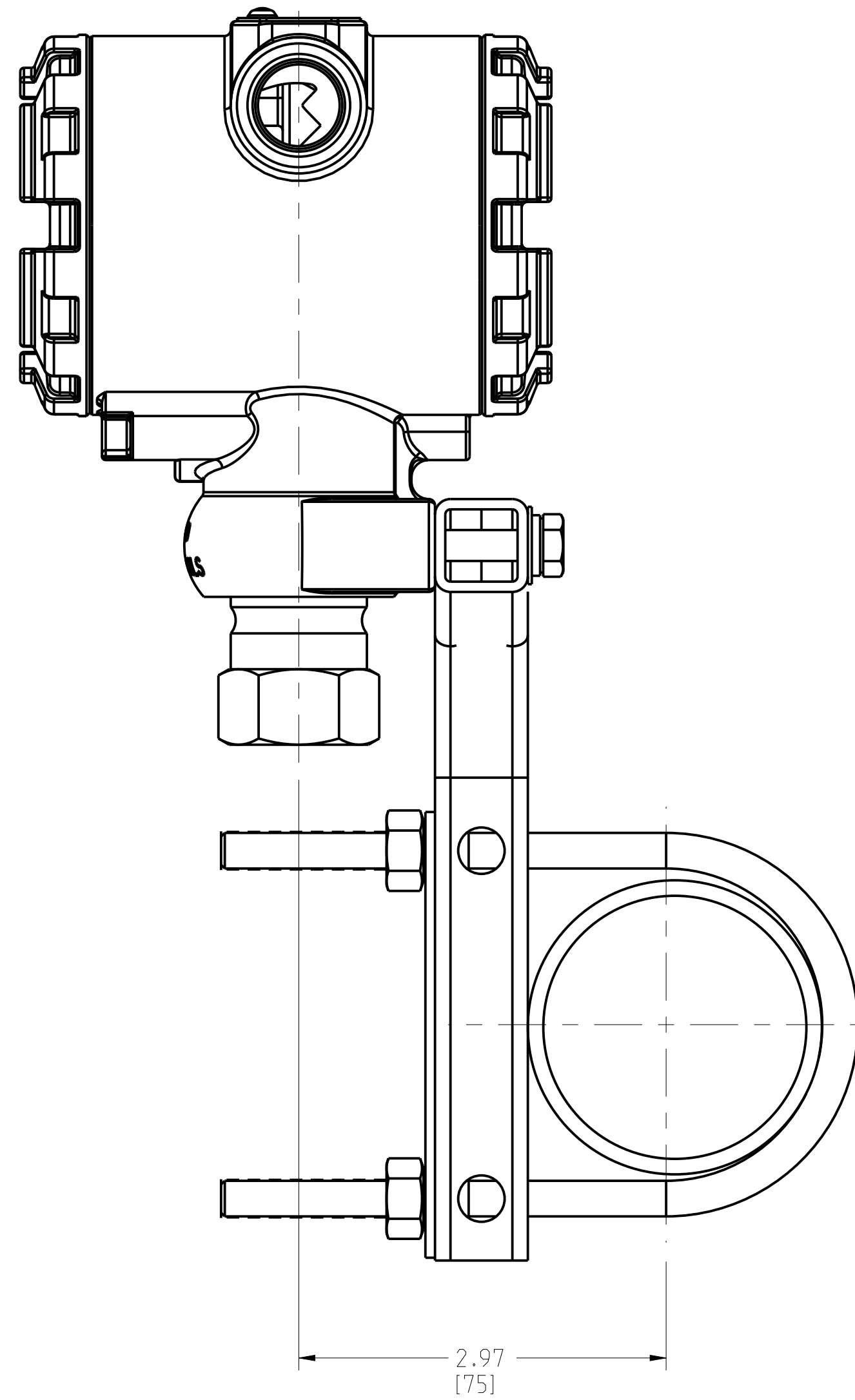
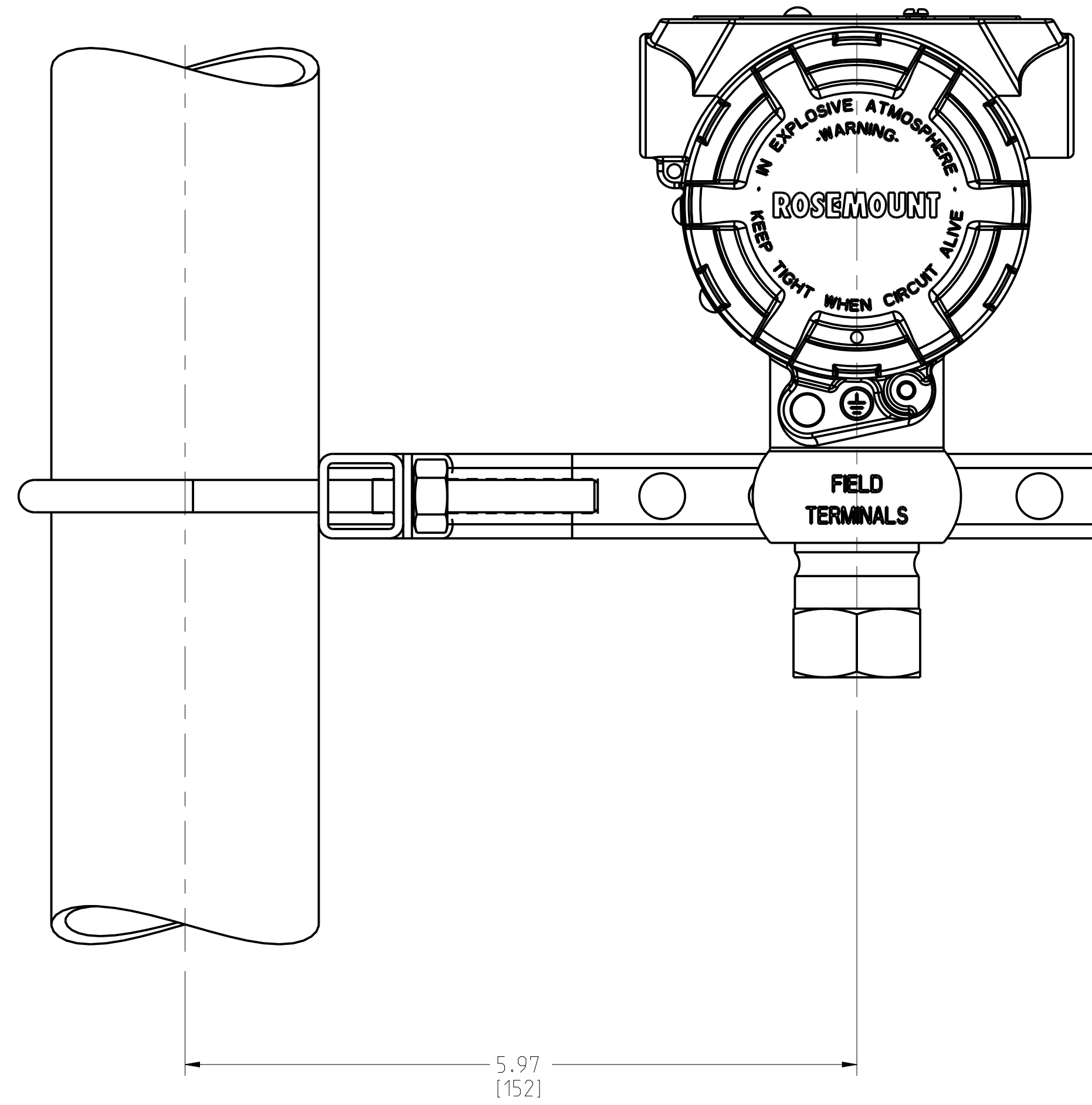
NOTES:

<small>UNLESS OTHERWISE SPECIFIED CONNECTIONS AND DIMENSIONS ARE IN ACCORDANCE WITH THE LATEST EDITION OF THE STANDARD AND MUST BE HANDLED ACCORDINGLY. EMERSON</small>	CUSTOMER	3RD ANGLE	SIZE	SCALE	REV
	CUSTOMER DWG NO.		D	1/1	AE
	P.O. No.	EMERSON ROSEMOUNT			
	S.O. No.	ROSEMOUNT 2088 ABSOLUTE AND GAGE PRESSURE TRANSMITTER			
PROJECT NAME	DR.	NV-LRB	10/26/10	DRAWING NO.	
	APP'D	JLA	1/18/13		02088-1035
DO NOT SCALE PRINT		CAD MAINTAINED. (PRO/E)		PRODUCT CODE	- DOC TYPE D SHEET 1 OF 2

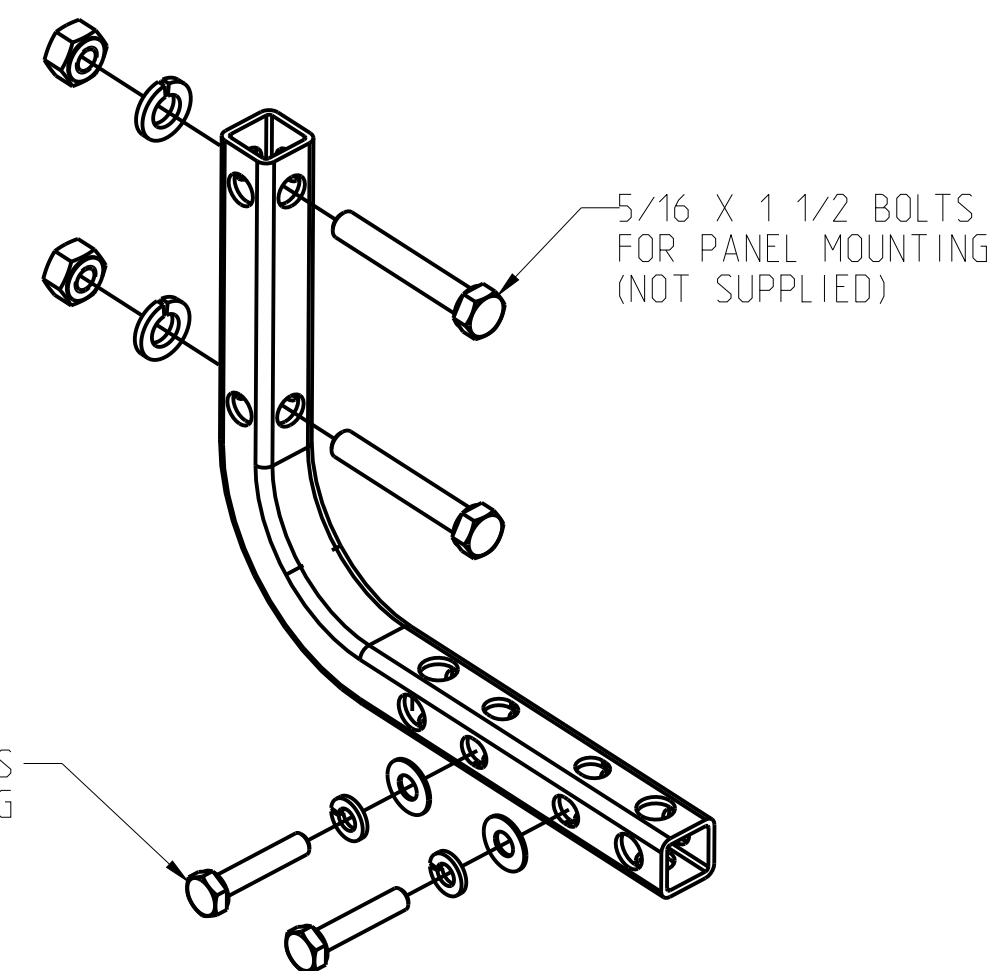
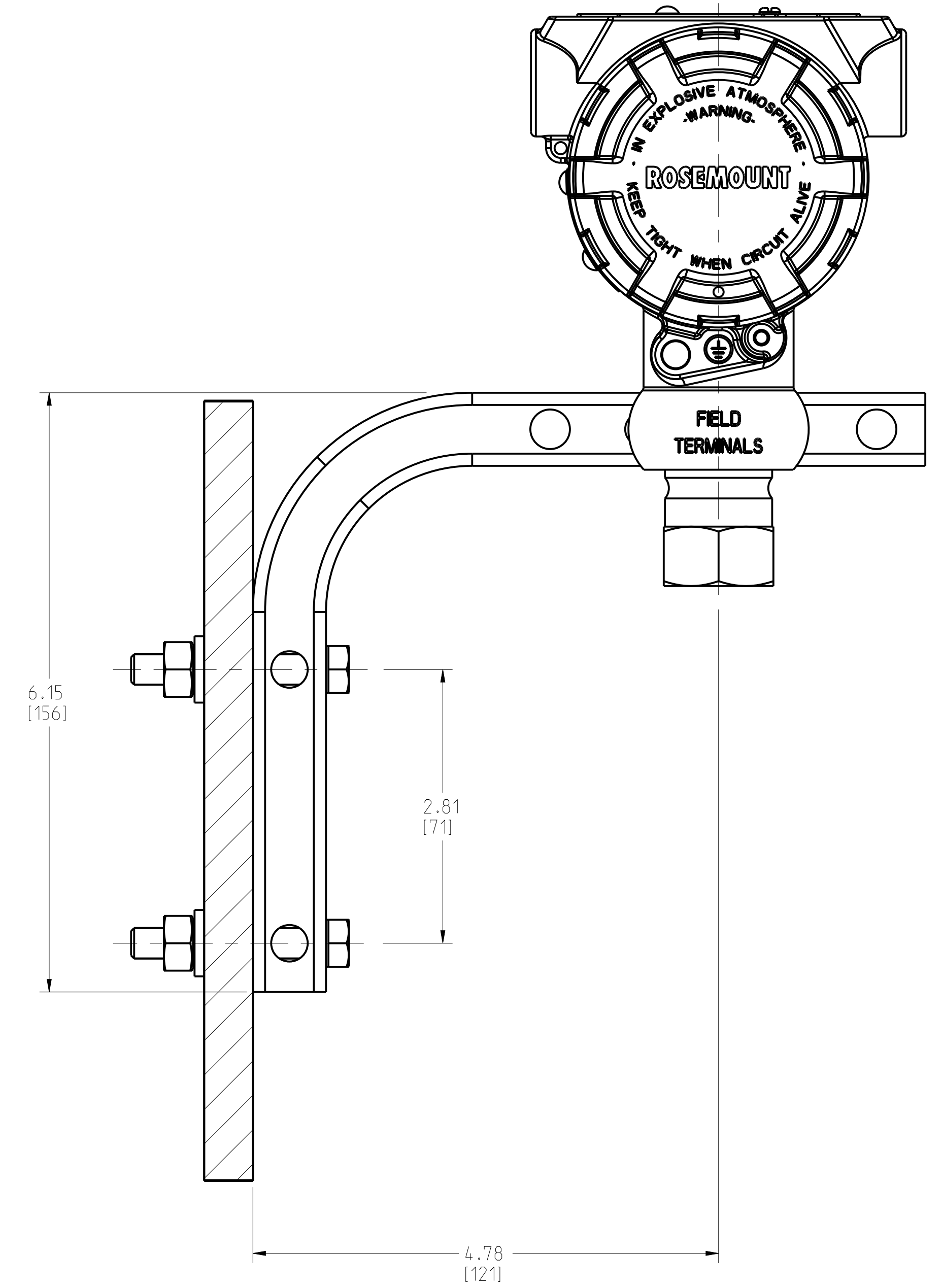
TAG NO. 02088-1035
 DRAWING NO.

ROSEMOUNT 2088 ABSOLUTE AND GAGE PRESSURE TRANSMITTER
MOUNTING CONFIGURATIONS WITH OPTIONAL MOUNTING BRACKET

PIPE MOUNTING



PANEL MOUNTING



<small>UNLESS OTHERWISE SPECIFIED CONNECTIONS AND DIMENSIONS INFORMATION IS CONTAINED HEREIN AND MUST BE HANDLED ACCORDING EMERSON</small>	CUSTOMER	3RD ANGLE	SIZE	SCALE	REV
	CUSTOMER DWG NO.		D	1/1	AE
	P.O. No.				
	S.O. No.	TITLE ROSEMOUNT 2088 ABSOLUTE AND GAGE PRESSURE TRANSMITTER			
	PROJECT NAME	DR. NV-LRB 10/26/10	DRAWING NO.	02088-1035	
	APP'D JLA 1/18/13				
	DO NOT SCALE PRINT	CAD MAINTAINED. (PRO/E)	PRODUCT CODE	- DOC TYPE D SHEET 2 OF 2	

DRAWING NO. 02088-1035 TAG NO. CAL.