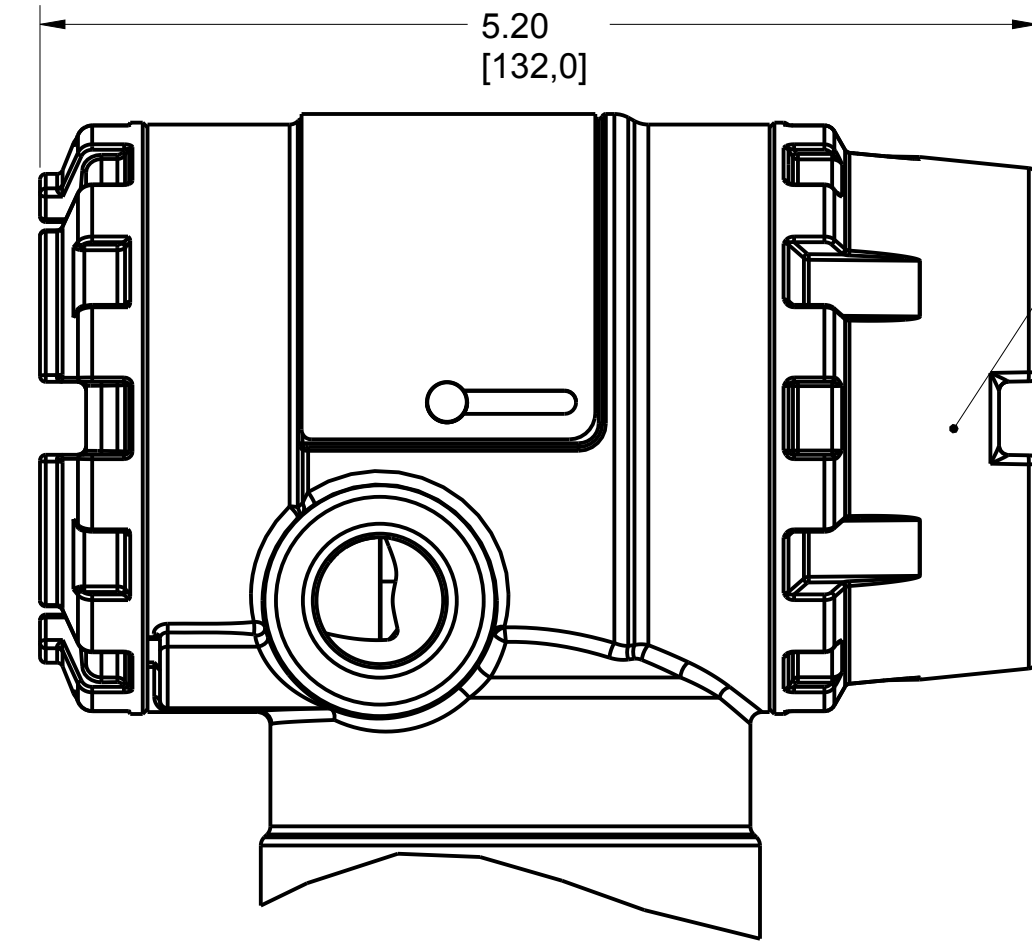


ROSEMOUNT 2051T IN-LINE PRESSURE TRANSMITTER

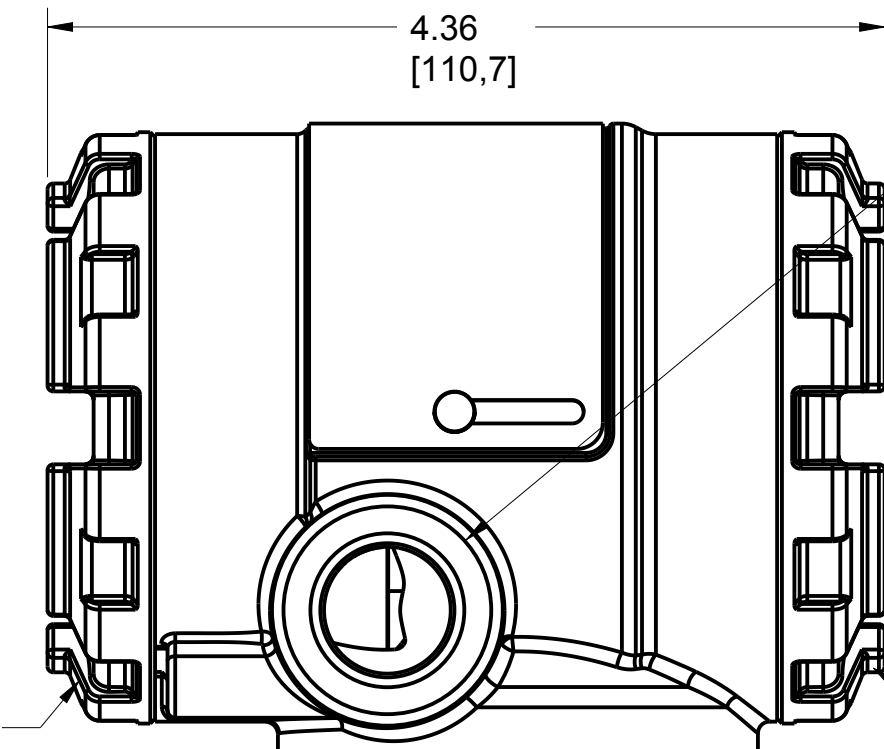
REVISION TABLE			
REVISION	ECO NO.	APP'D	DATE
AC	RTC1059347	TW	3/7/14
DESCRIPTION			
ADD FIELDBUS NOTES			

OUTPUT CODE (A) AND (M) AND (F) (SEE NOTE 3) ALUMINUM/SST HOUSING

SHOWN WITH OPTIONAL DIGITAL DISPLAY



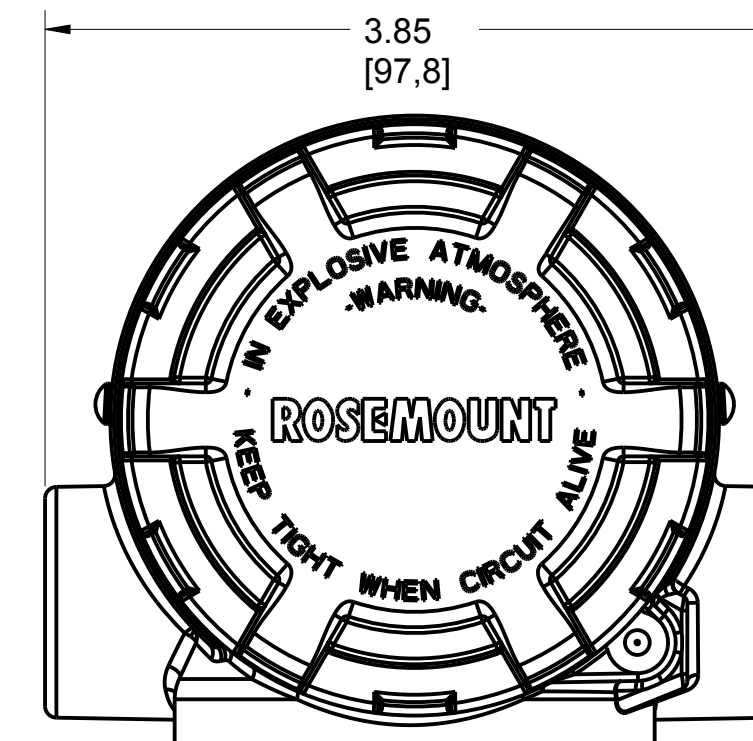
DIGITAL DISPLAY COVER



FIELD TERMINALS (THIS SIDE)

CONDUIT CONNECTION (2 PLACES)

TRANSMITTER ELECTRONICS (THIS SIDE)



BRACKET MOUNTING HOLES (1/4-20 UNC) (2 PLACES)

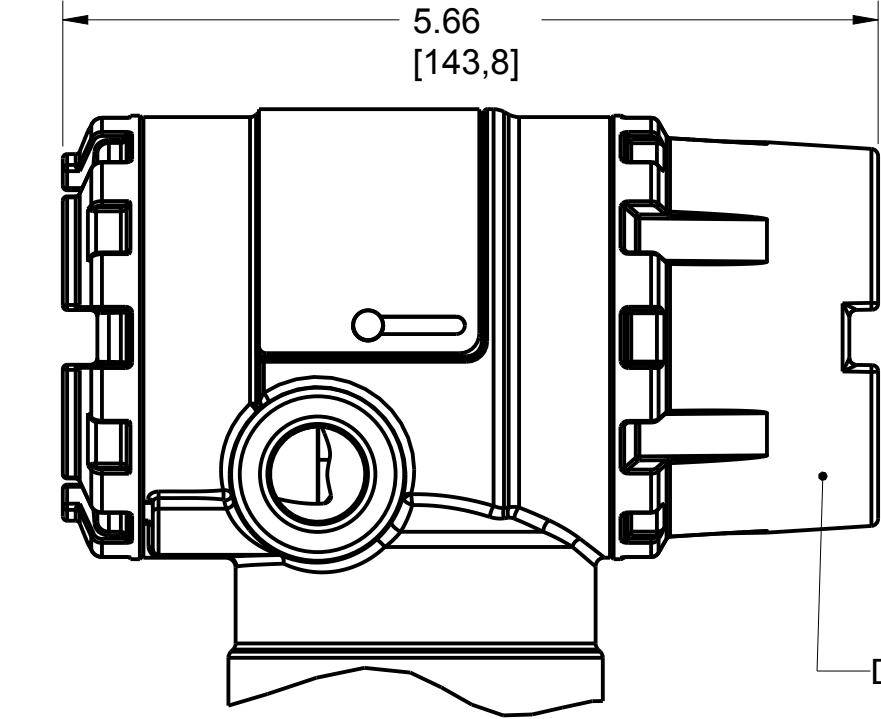
HOUSING ROTATION SET SCREW

1/4-18 NPT FEMALE OR 1/2-14 NPT FEMALE (SEE SHEET 2 FOR OTHER OPTIONS)

1.30 [33,0]

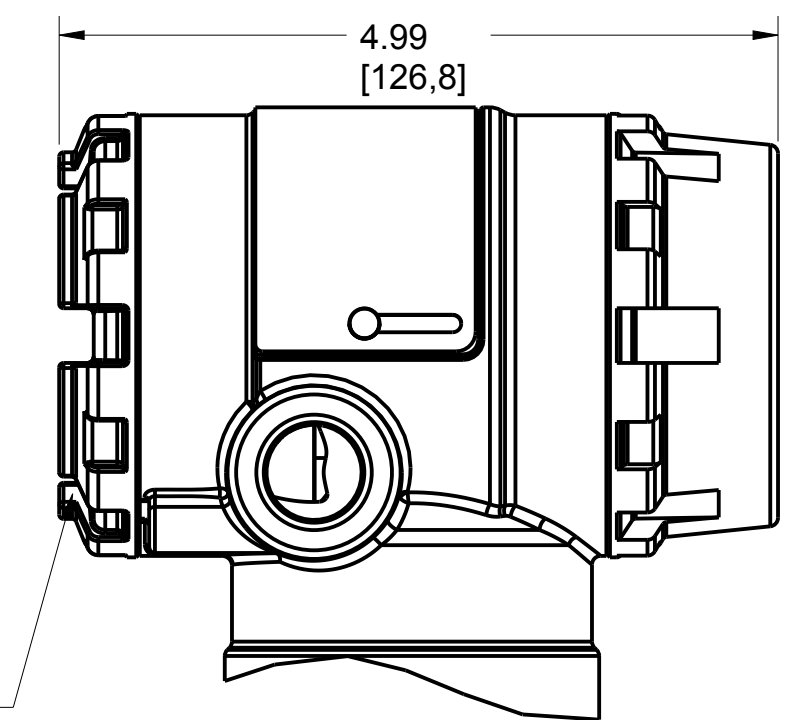
OUTPUT CODE (W) AND (F) (SEE NOTE 4)

ALUMINUM/SST HOUSING SHOWN WITH OPTIONAL DIGITAL DISPLAY



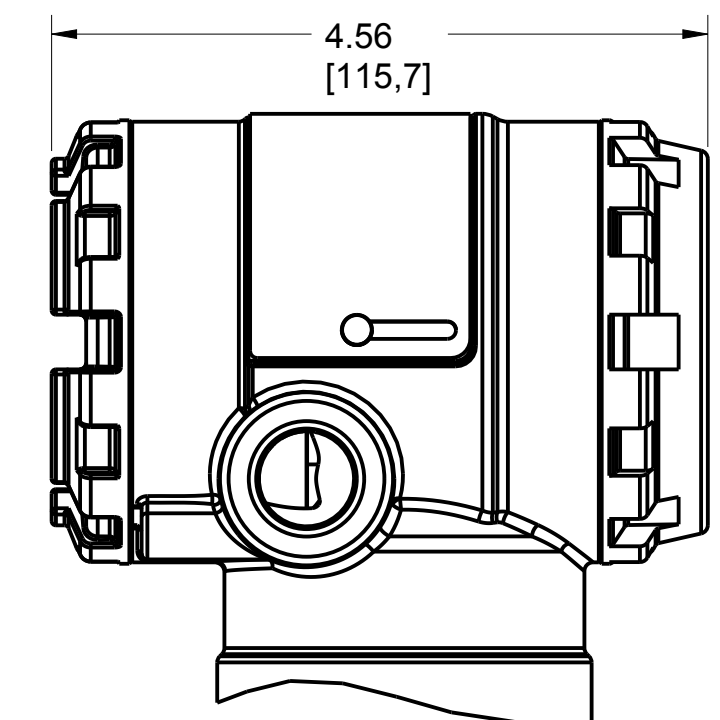
DIGITAL DISPLAY COVER

ALUMINUM HOUSING

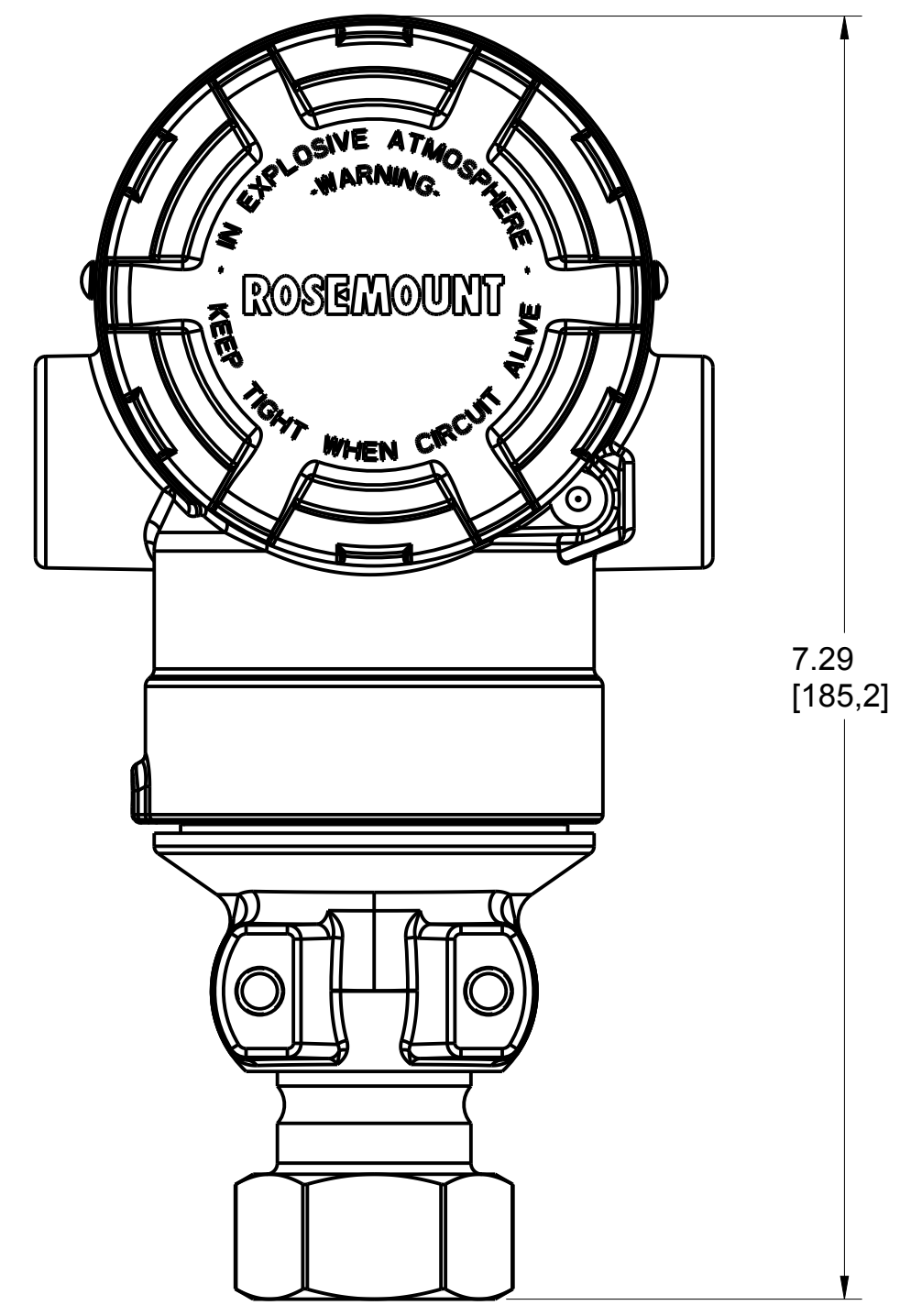


FIELD TERMINALS (THIS SIDE)

SST HOUSING

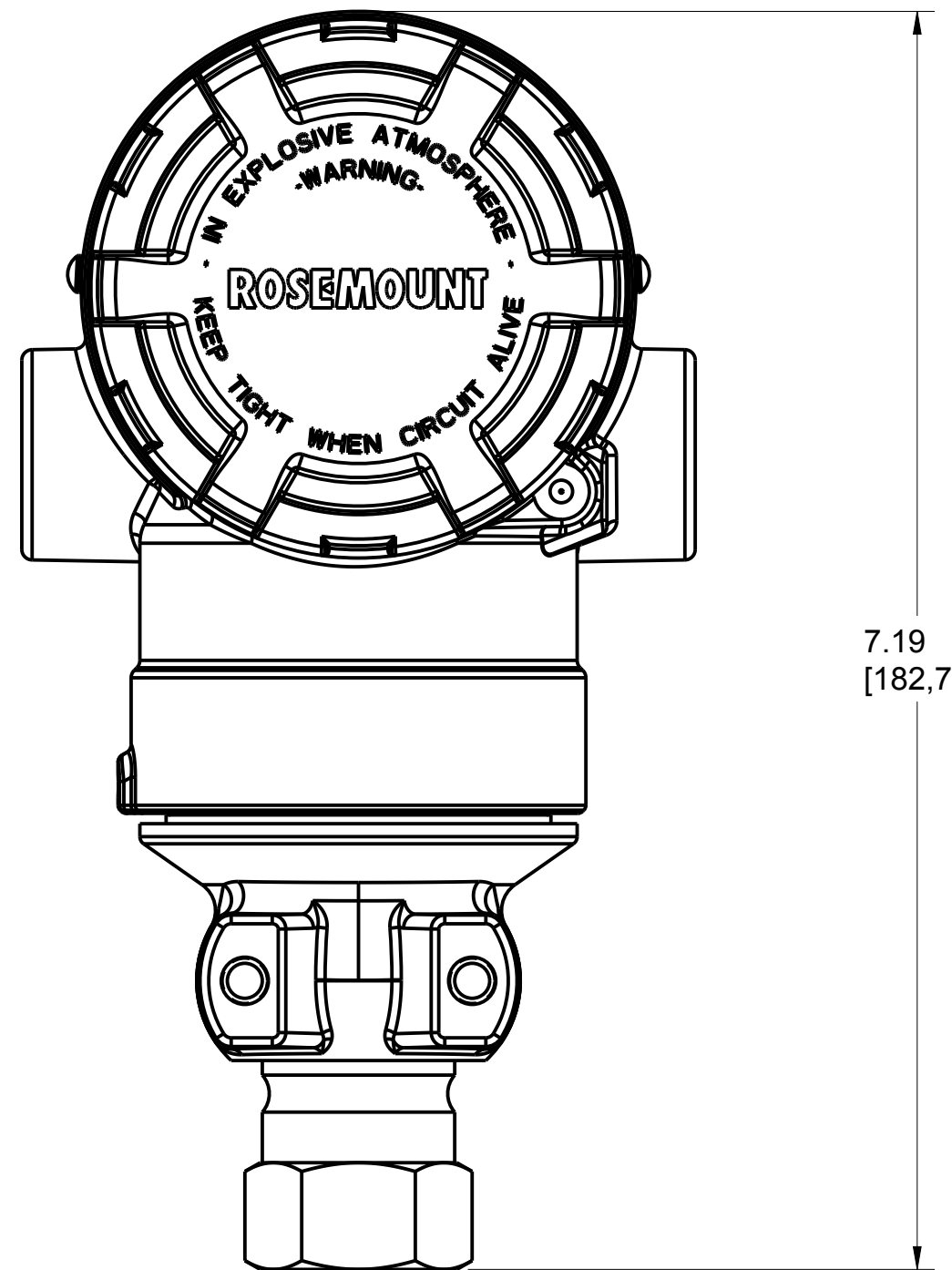


PRESSURE RANGE OPTION 5A



7.29 [185,2]

PRESSURE RANGE OPTION 1A-4A



7.19 [182,7]

NOTES:

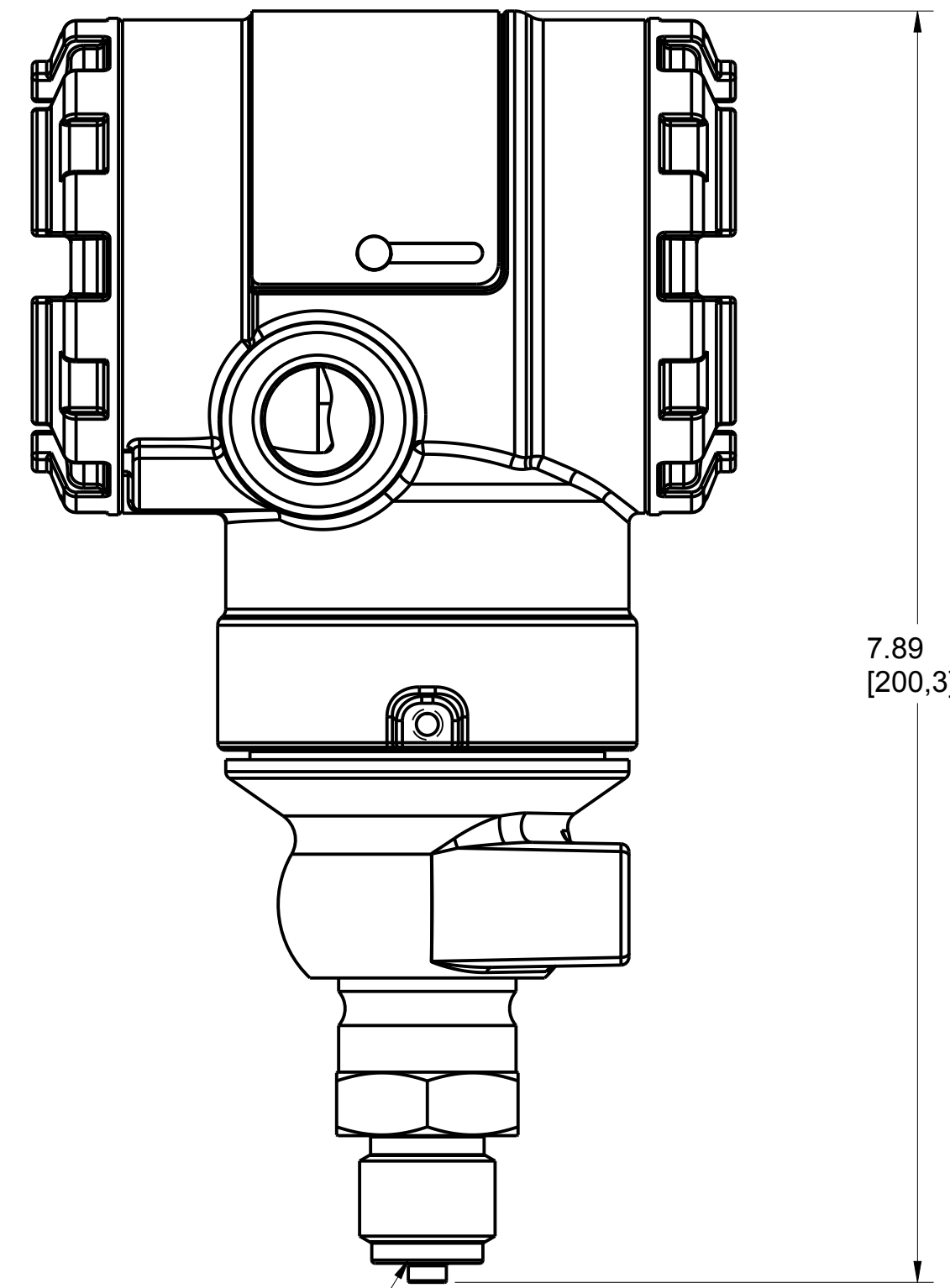
- ROSEMOUNT INC. CERTIFIES THIS DRAWING IN ACCORDANCE WITH ROSEMOUNT ENGINEERING SPECIFICATIONS AND ACCURATELY REPRESENTS THE EQUIPMENT FURNISHED.
- .75 (19) IS REQUIRED TO REMOVE COVERS (EACH SIDE)
- FOR OUT CODE (F): HOUSING DIMENSIONS APPLY TO DEVICE REVISION 2 TRANSMITTERS ONLY.
- FOR OUT CODE (F): HOUSING DIMENSIONS APPLY TO DEVICE REVISION 1 TRANSMITTERS ONLY.

UNLESS OTHERWISE SPECIFIED, DIMENSIONS AND TOLERANCES ARE IN INCHES. DIMENSIONS IN PARENTHESES ARE METRIC EQUIVALENTS. INFORMATION IS CONTAINED HEREIN AND MUST BE HANDLED ACCORDINGLY. EMERSON	CUSTOMER	3RD ANGLE			SIZE	SCALE	REV
	CUSTOMER DWG NO.	EMERSON			D	1/1	AC
	P.O. No.	ROSEMOUNT			TITLE		
	S.O. No.	ROSEMOUNT 2051T IN-LINE PRESSURE TRANSMITTER			DRAWING NO.		
PROJECT NAME	DR.	JLA	11/18/12	02051-7711			
	APP'D	TW	3/4/14				
DO NOT SCALE PRINT	CAD MAINTAINED, (PRO/E)	PRODUCT CODE	DOC TYPE	D	SHEET 1	OF 6	

DRAWING NO. 02051-7711 TAG NO. GAL

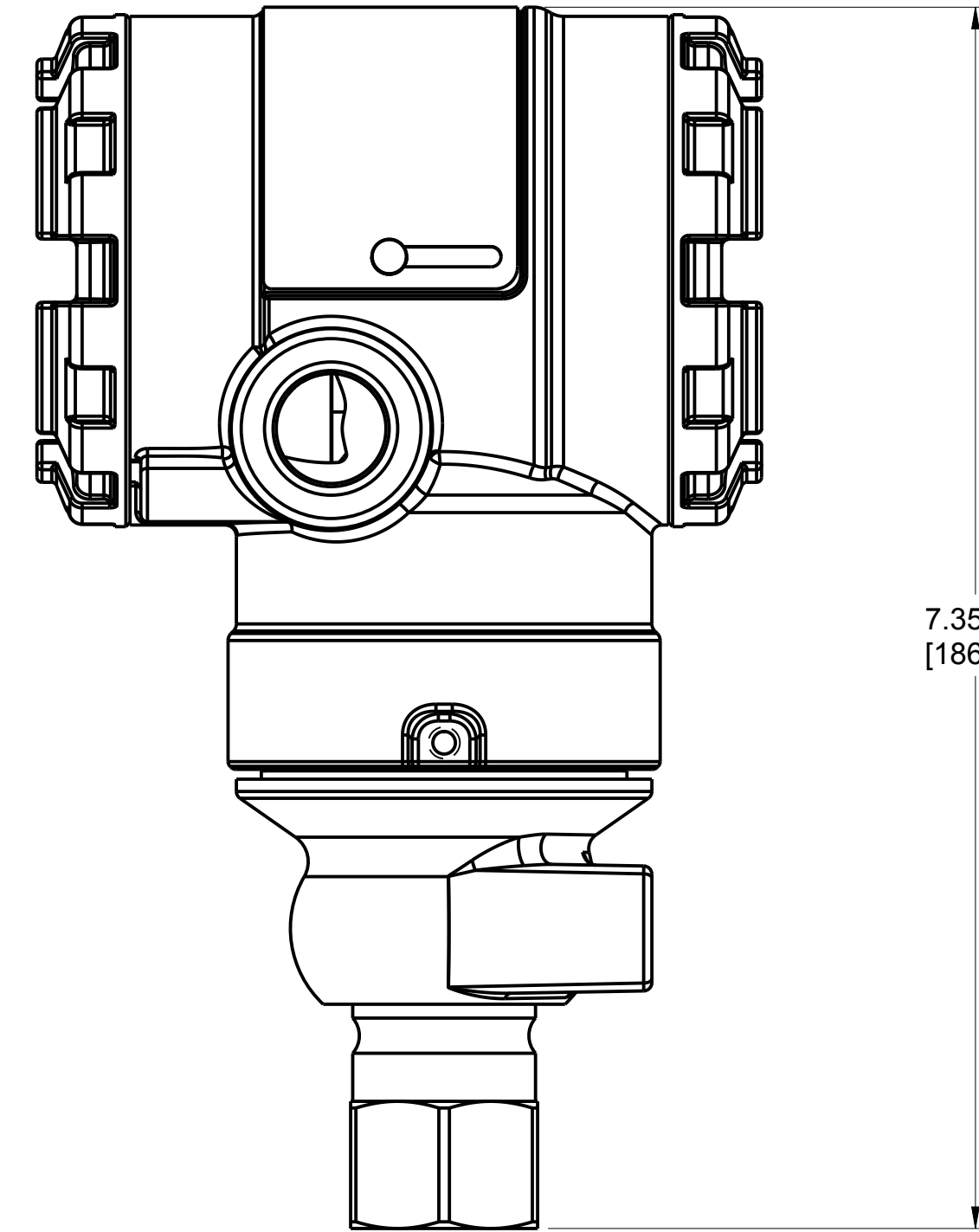
ROSEMOUNT 2051T IN-LINE PRESSURE TRANSMITTER

G 1/2 A DIN 16288 MALE
PROCESS CONNECTION



G 1/2 A DIN 16288 MALE

AUTOCLAVE TYPE F-250-C
PROCESS CONNECTION



AUTOCLAVE TYPE F-250-C

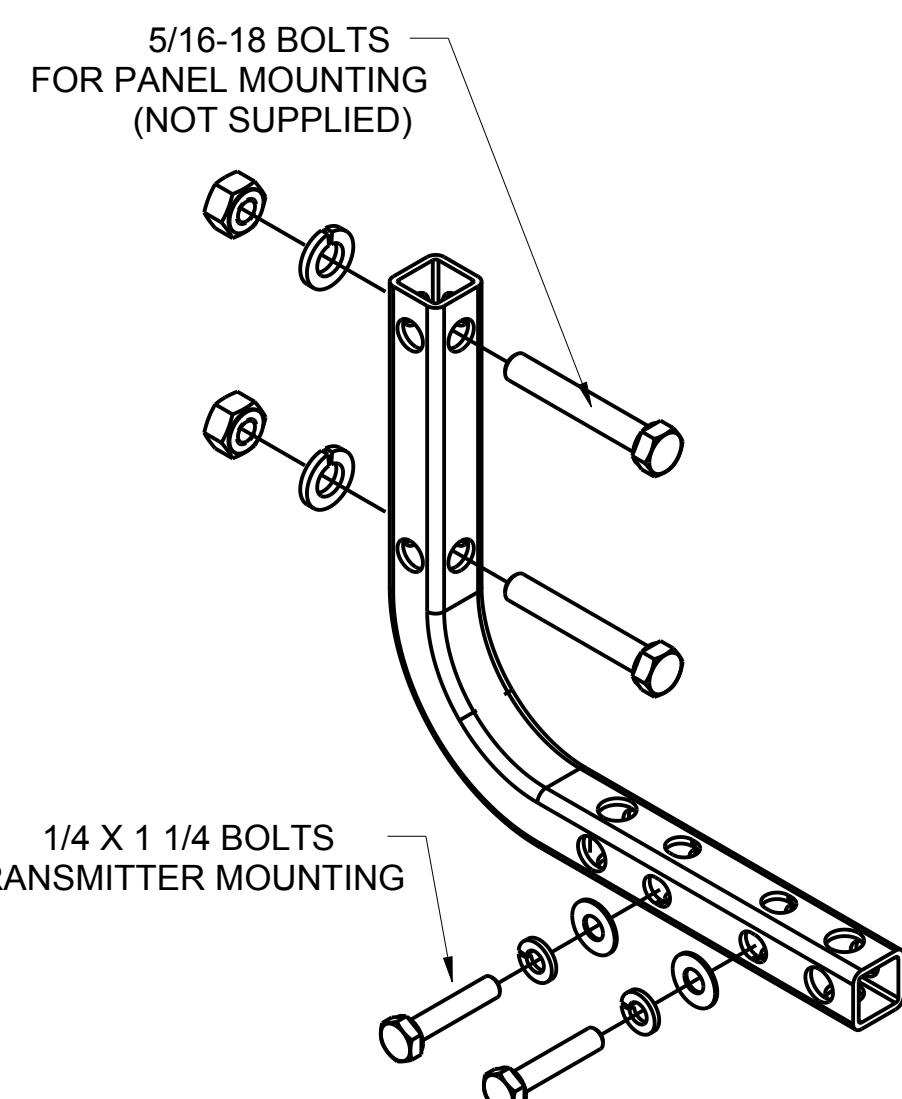
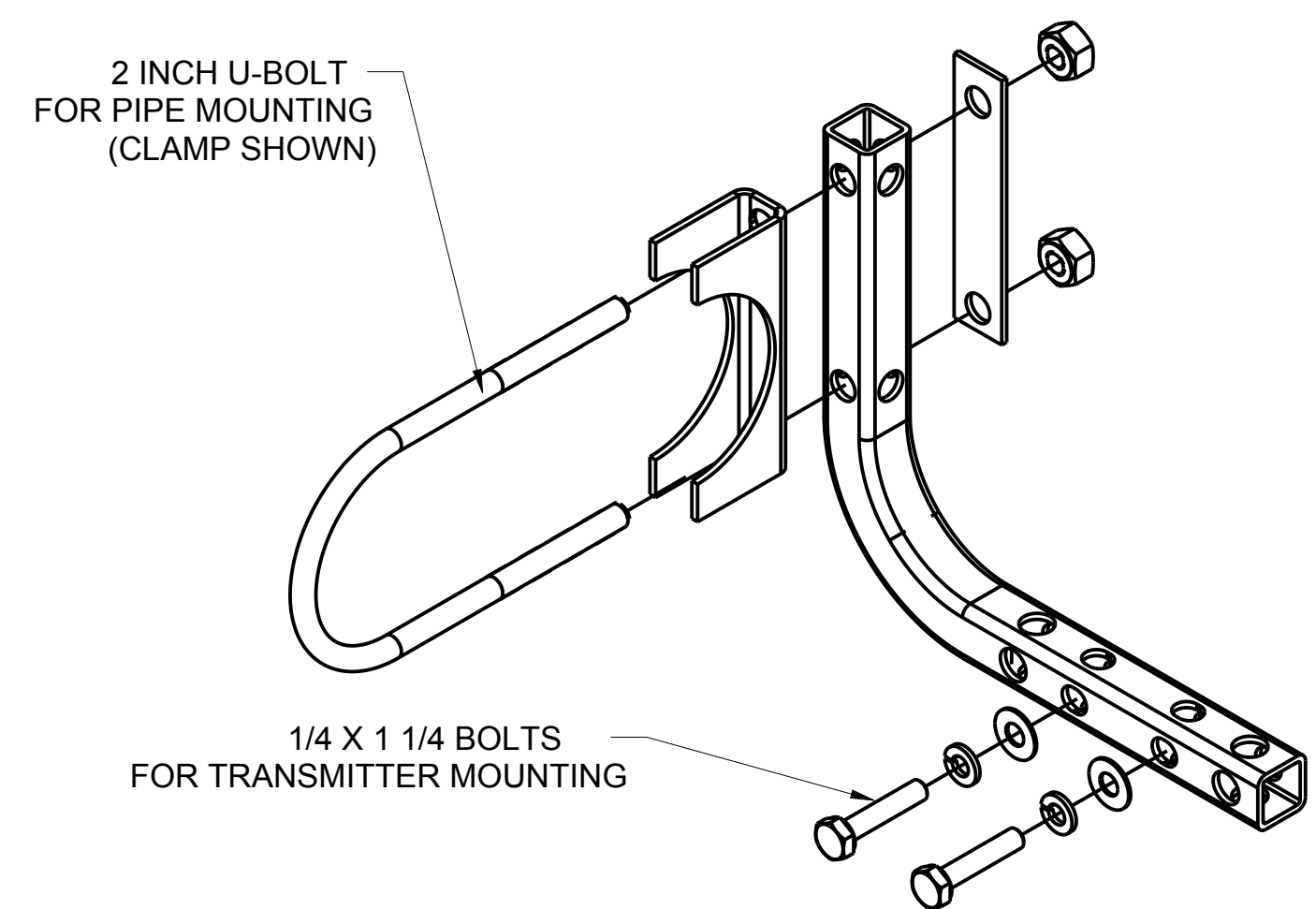
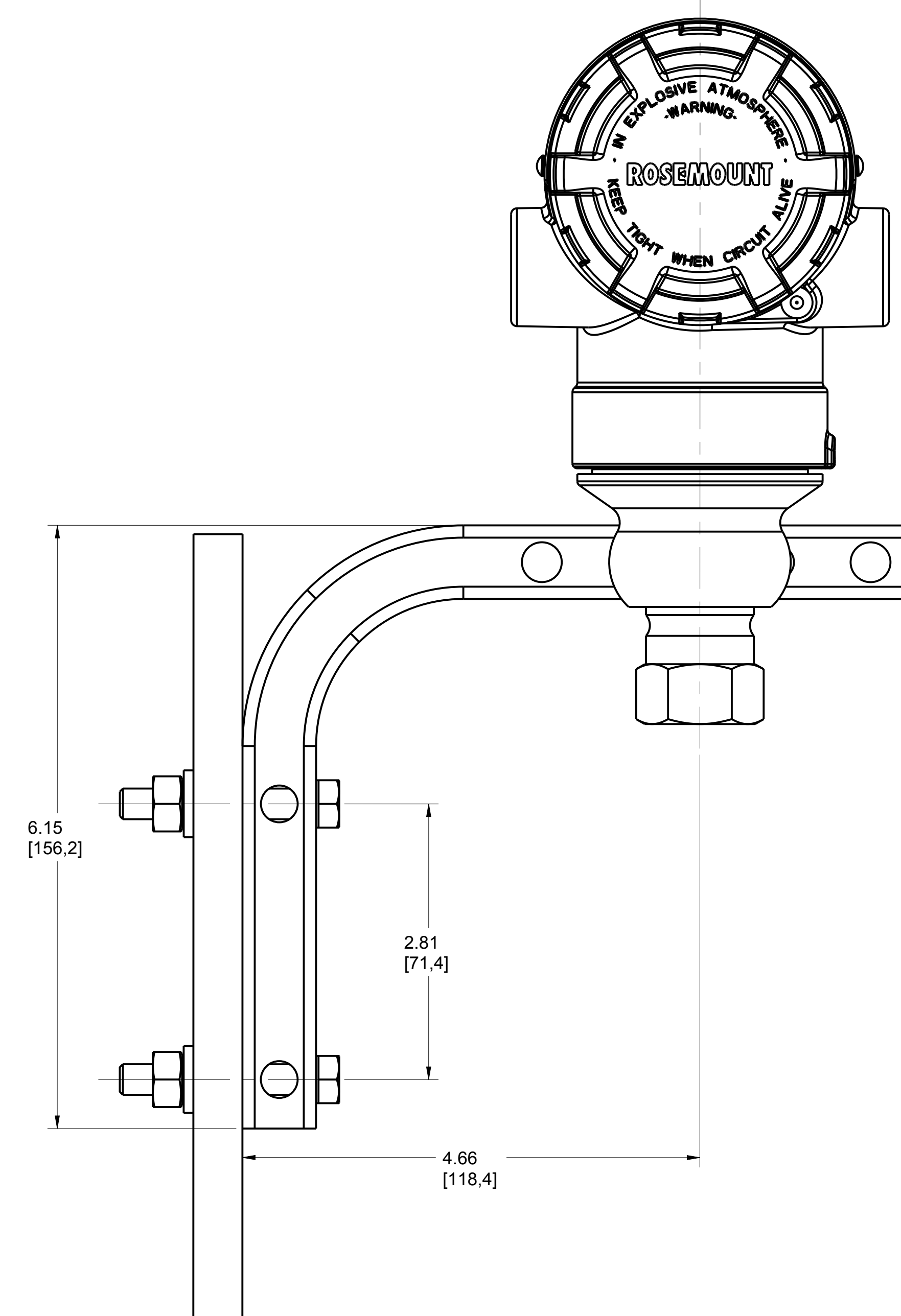
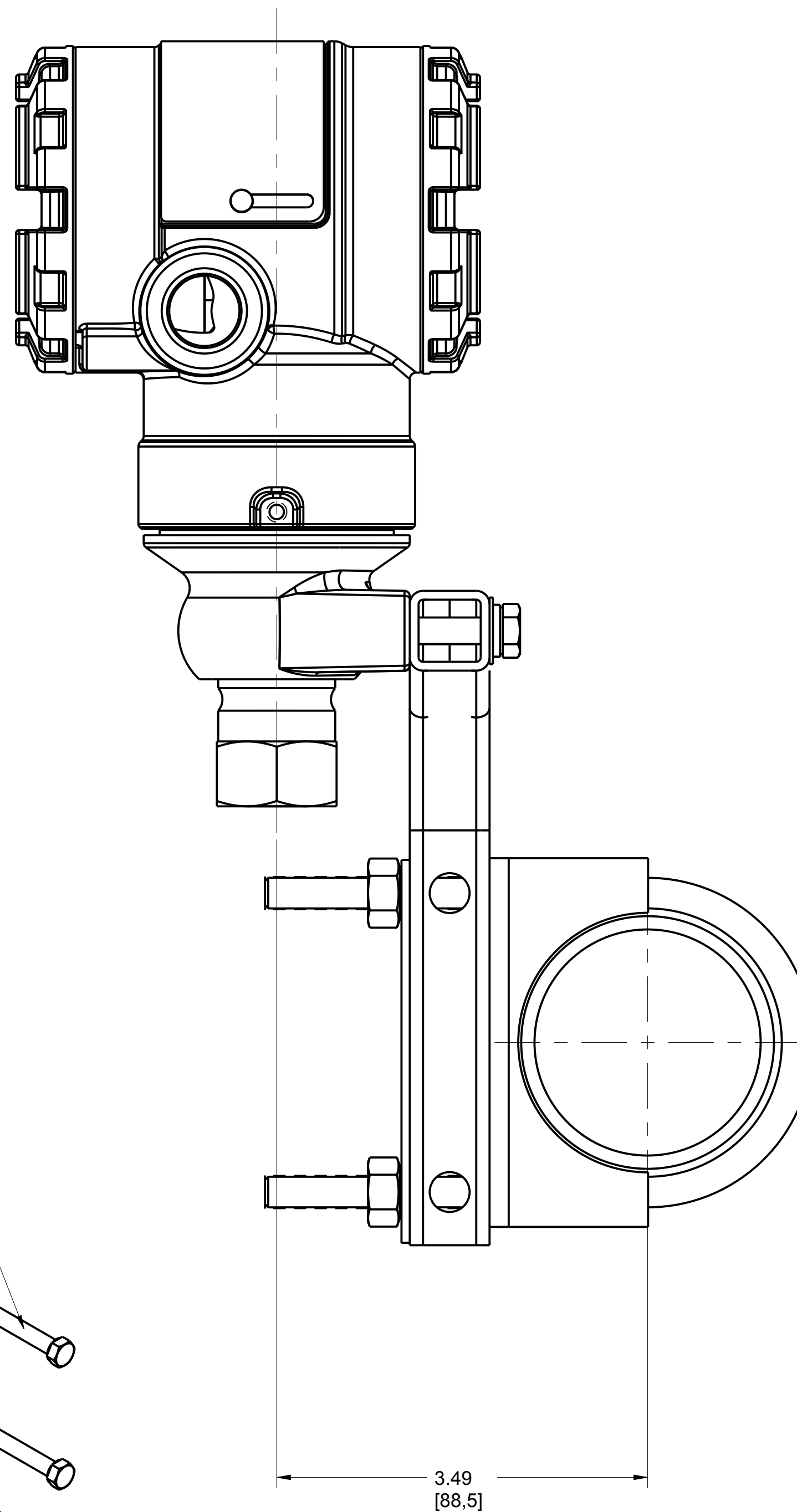
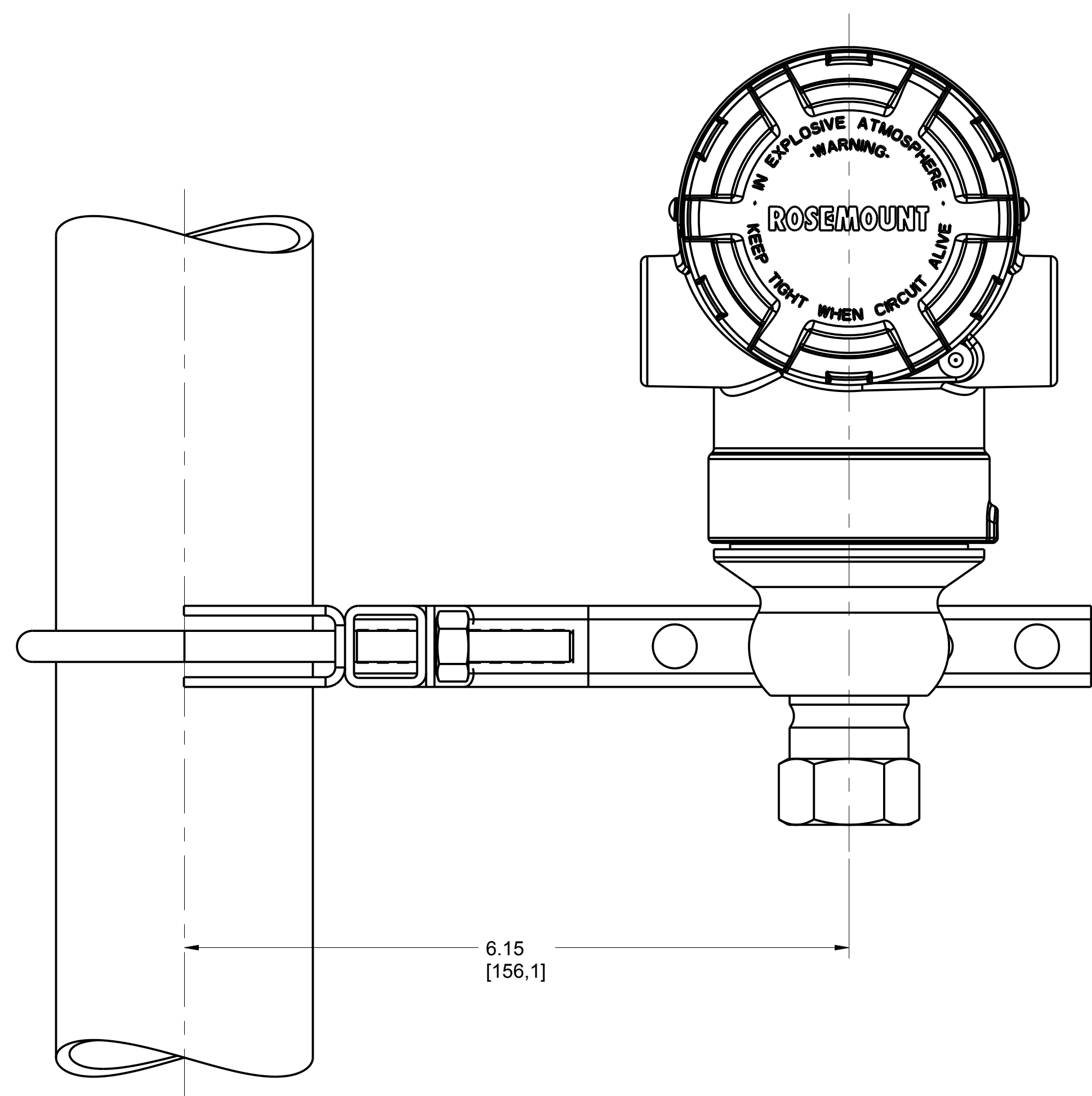
<small>UNLESS OTHERWISE SPECIFIED DIMENSIONS AND DECIMALS CONVERSIONS AND DIMENSIONS INFORMATION IS CONTAINED HEREIN AND MUST BE HANDLED ACCORDINGLY. EMERSON</small>	CUSTOMER		3RD ANGLE	SIZE D	SCALE 1/1	REV AC
	CUSTOMER DWG NO.					
	P.O. No.					
	S.O. No.		TITLE ROSEMOUNT 2051T IN-LINE PRESSURE TRANSMITTER			
PROJECT NAME		DR.	JLA	11/18/12	DRAWING NO.	
		APPD	TW	3/4/14	02051-7711	
DO NOT SCALE PRINT		CAD MAINTAINED, (PROE)		PRODUCT CODE	DOC TYPE	D SHEET 2 OF 6

DRAWING NO. 02051-7711
 TAG NO. CAL.

ROSEMOUNT 2051T IN-LINE PRESSURE TRANSMITTER MOUNTING CONFIGURATIONS WITH OPTIONAL MOUNTING BRACKET

PIPE MOUNTING

PANEL MOUNTING



SCALE 1/2

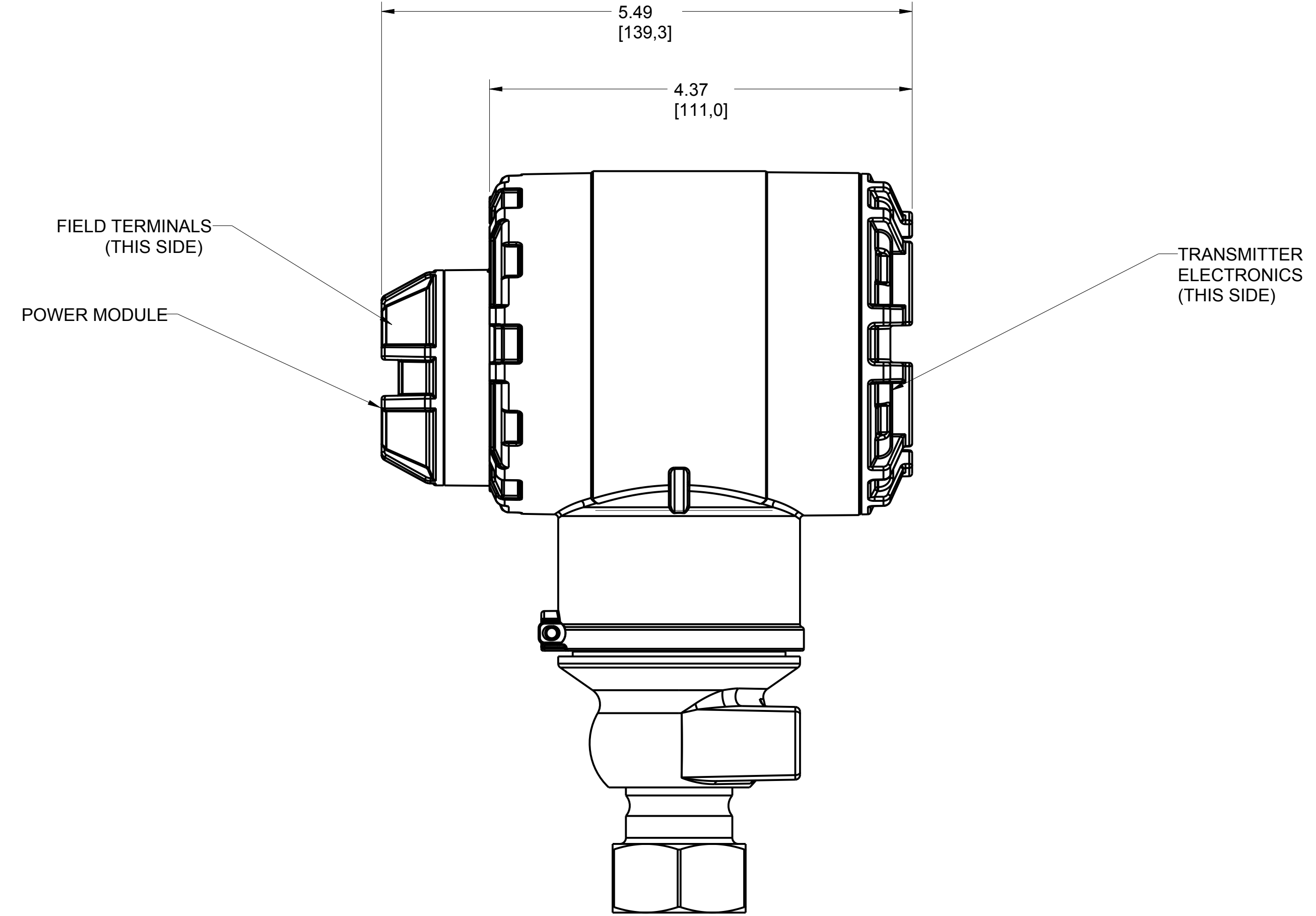
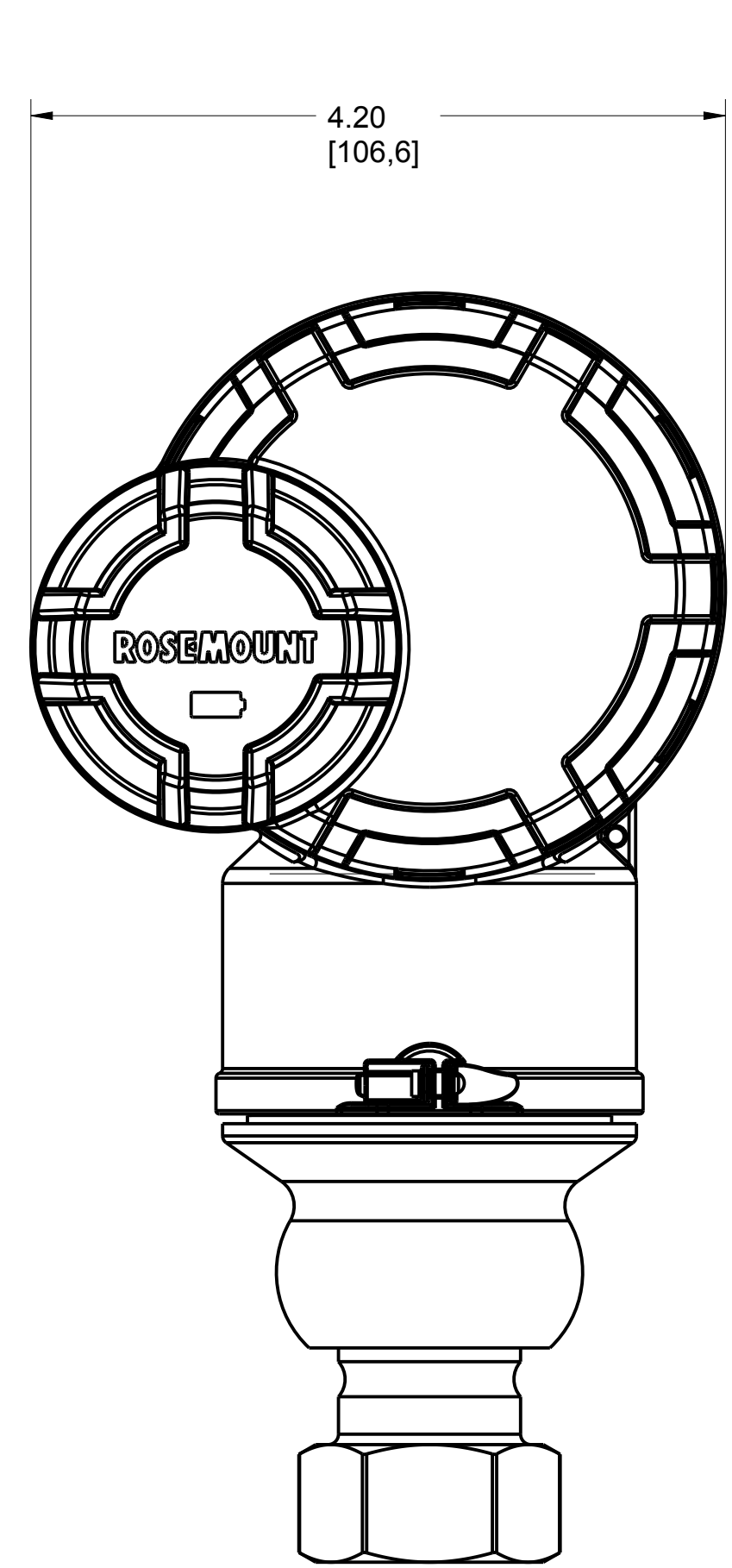
SCALE 1/2

<small>UNLESS OTHERWISE SPECIFIED DIMENSIONS AND UNITS SHOWN IN THIS DRAWING ARE IN INCHES AND DECIMALS THEREOF. INFORMATION IS CONTAINED HEREIN IS UNCLASSIFIED. EMERSON</small>	CUSTOMER	3RD ANGLE	SIZE	SCALE	REV
	CUSTOMER DWG NO.		D	1/1	AC
	P.O. No.	EMERSON Process Management ROSEMOUNT			
	S.O. No.	TITLE ROSEMOUNT 2051T IN-LINE PRESSURE TRANSMITTER			
PROJECT NAME	DR. JLA	11/18/12	DRAWING NO.		
	APPD TW	3/4/14	02051-7711		
DO NOT SCALE PRINT	CAD MAINTAINED, (PRO/E)	PRODUCT CODE	DOC TYPE	D	SHEET 3 OF 6

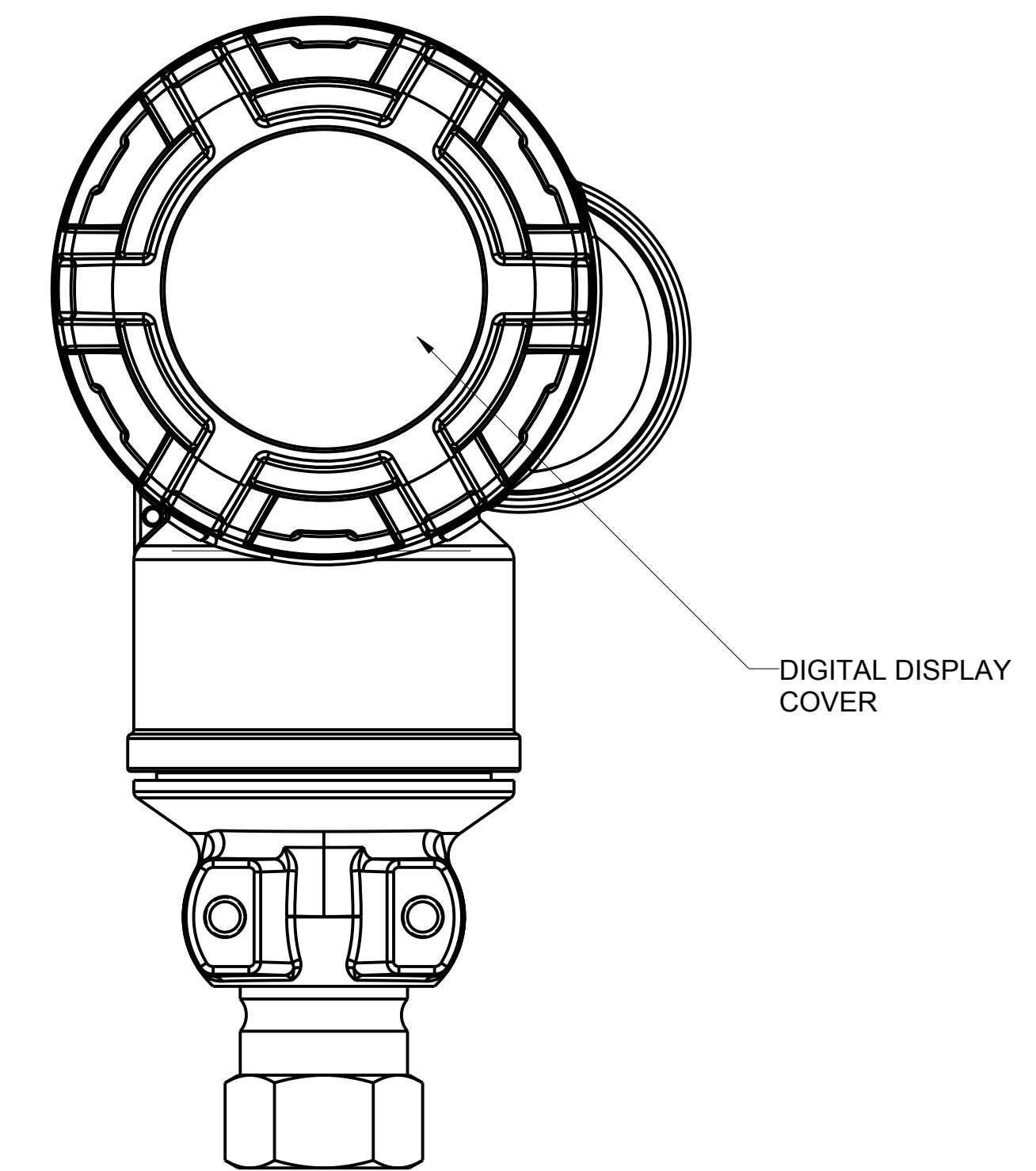
DRAWING NO. 02051-7711 TAG NO. CAL.

ROSEMOUNT 2051T WIRELESS IN-LINE PRESSURE TRANSMITTER

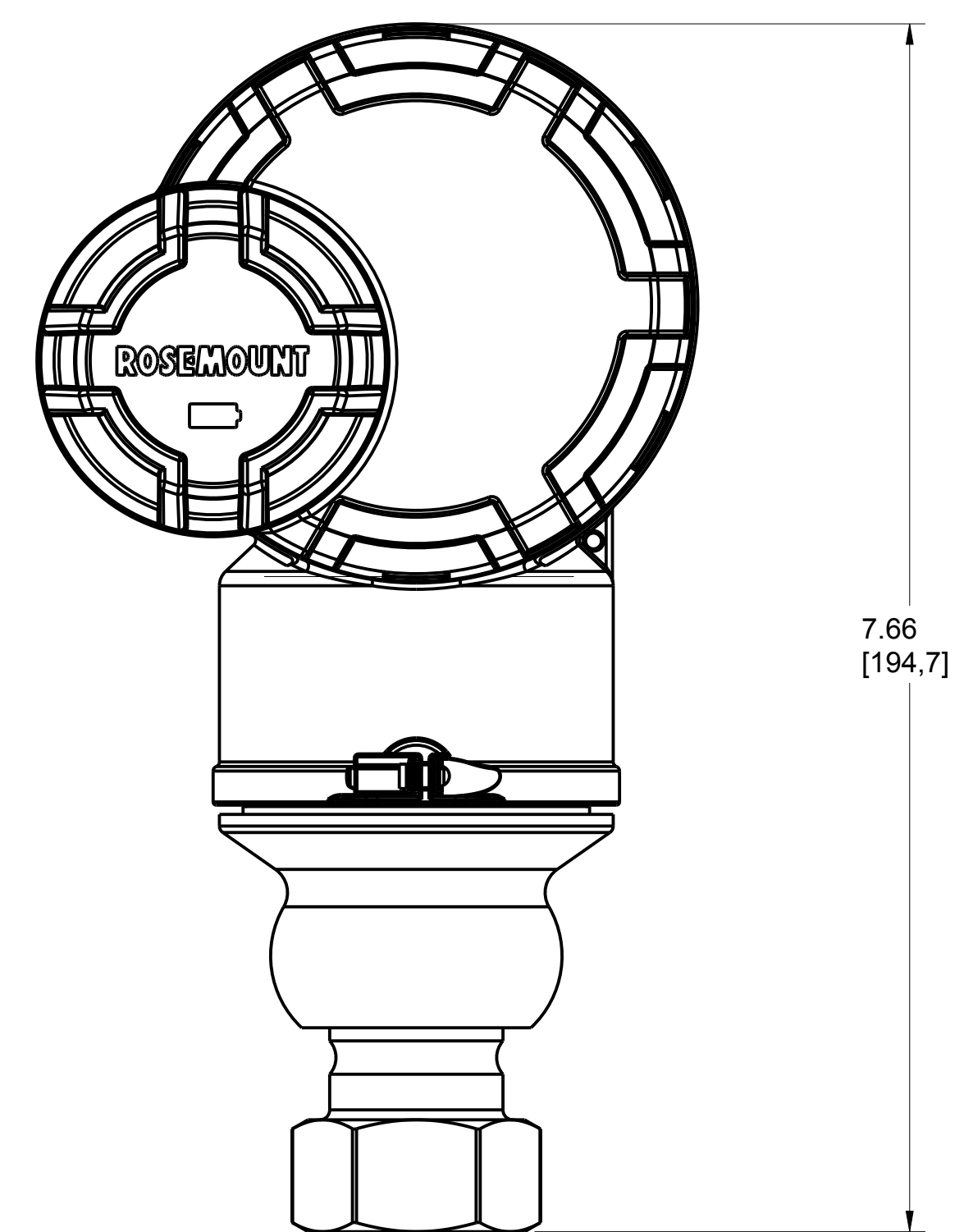
OUTPUT CODE X
POLYMER HOUSING



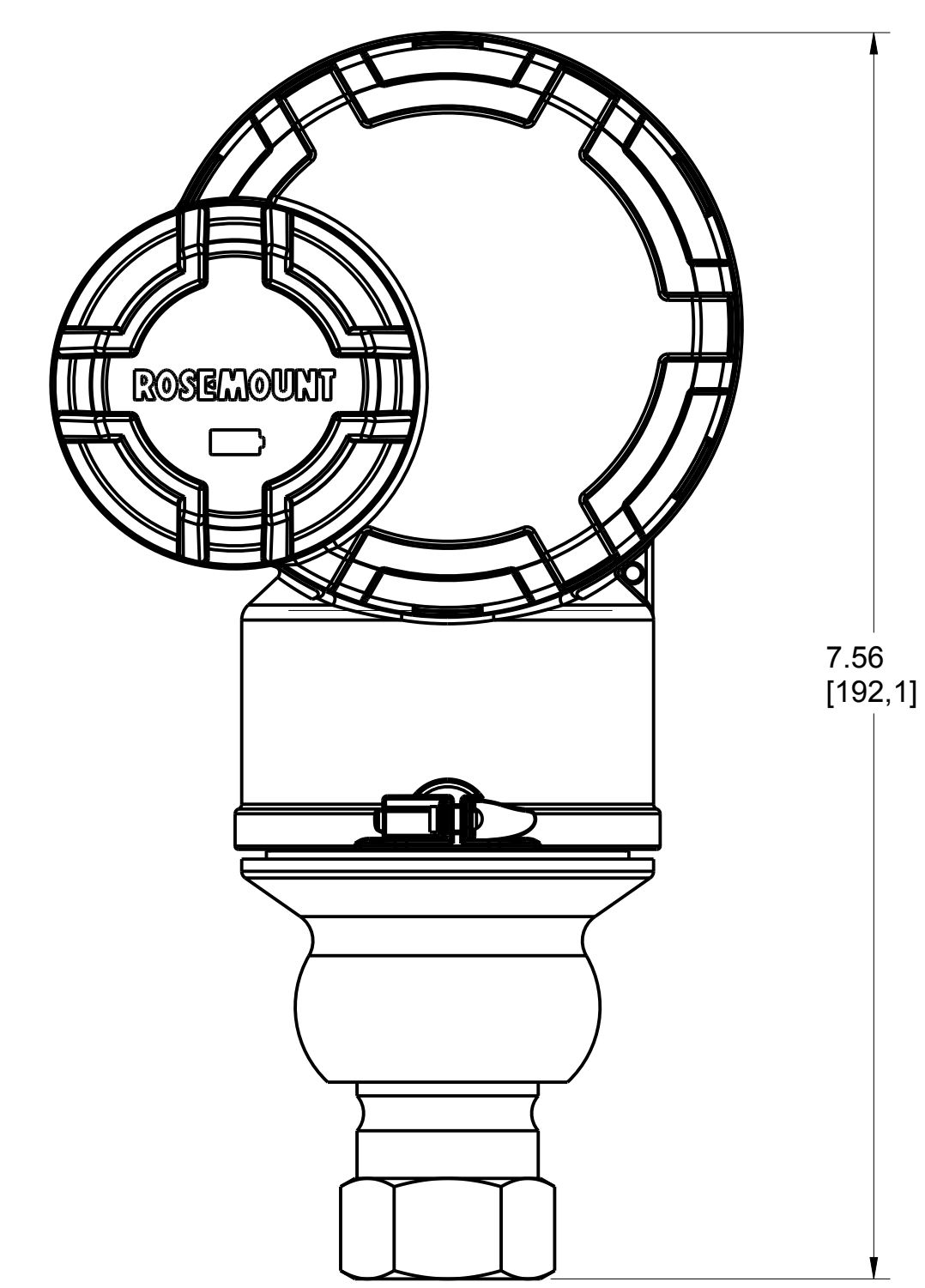
SHOWN WITH OPTIONAL DIGITAL DISPLAY



PRESSURE RANGE OPTION 5A



PRESSURE RANGE OPTION 1A-4A

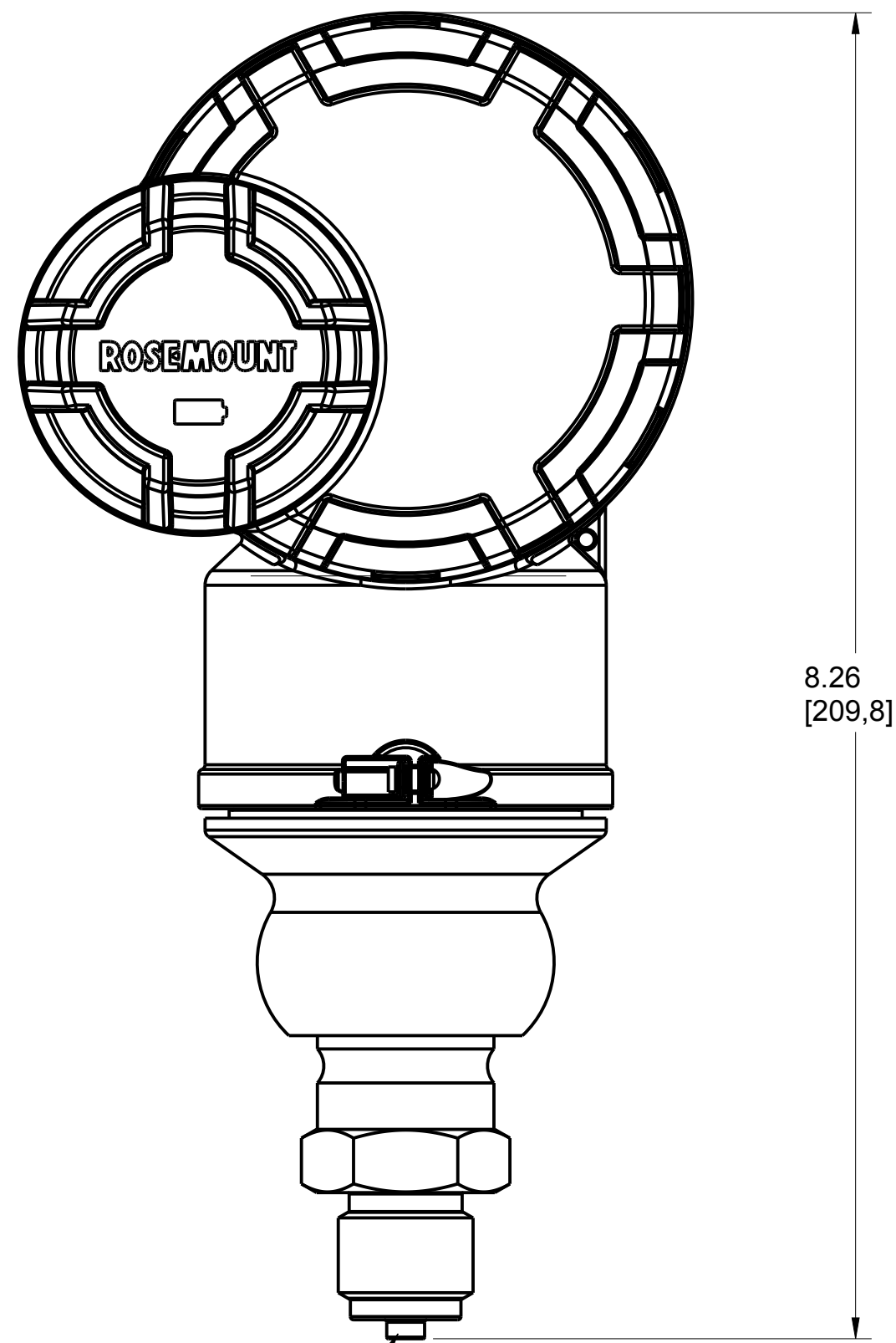


<small>UNLESS OTHERWISE SPECIFIED DIMENSIONS AND TOLERANCES CONFORM TO THE FIRST PART OF ASME Y14.5M-2009 UNLESS OTHERWISE SPECIFIED AND MUST BE HANDLED ACCORDINGLY. EMERSON</small>	CUSTOMER	3RD ANGLE	SIZE	SCALE	REV
	CUSTOMER DWG NO.		D	1/1	AC
	P.O. No.				
	S.O. No.	TITLE ROSEMOUNT 2051T IN-LINE PRESSURE TRANSMITTER			
PROJECT NAME	DR. JLA	11/18/12	DRAWING NO.		
	APPD. TW	3/4/14	02051-7711		
DO NOT SCALE PRINT	CAD MAINTAINED, (PRO/E)	PRODUCT CODE	DOC TYPE	D	SHEET 4 OF 6

TAG NO. 02051-7711
 DRAWING NO.

ROSEMOUNT 2051T WIRELESS IN-LINE PRESSURE TRANSMITTER

G 1/2 A DIN 16288 MALE
PROCESS CONNECTION



G 1/2 A DIN 16288 MALE

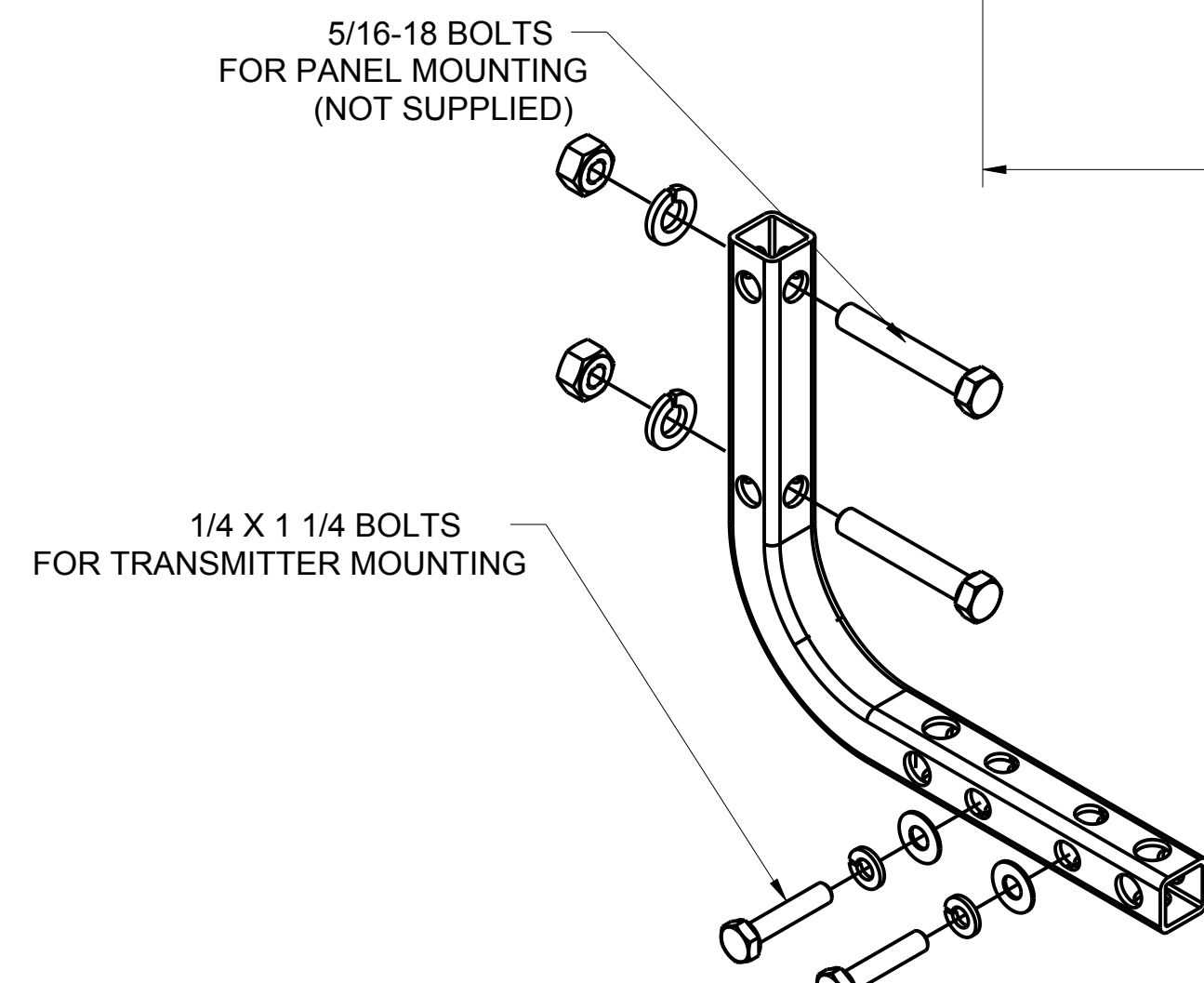
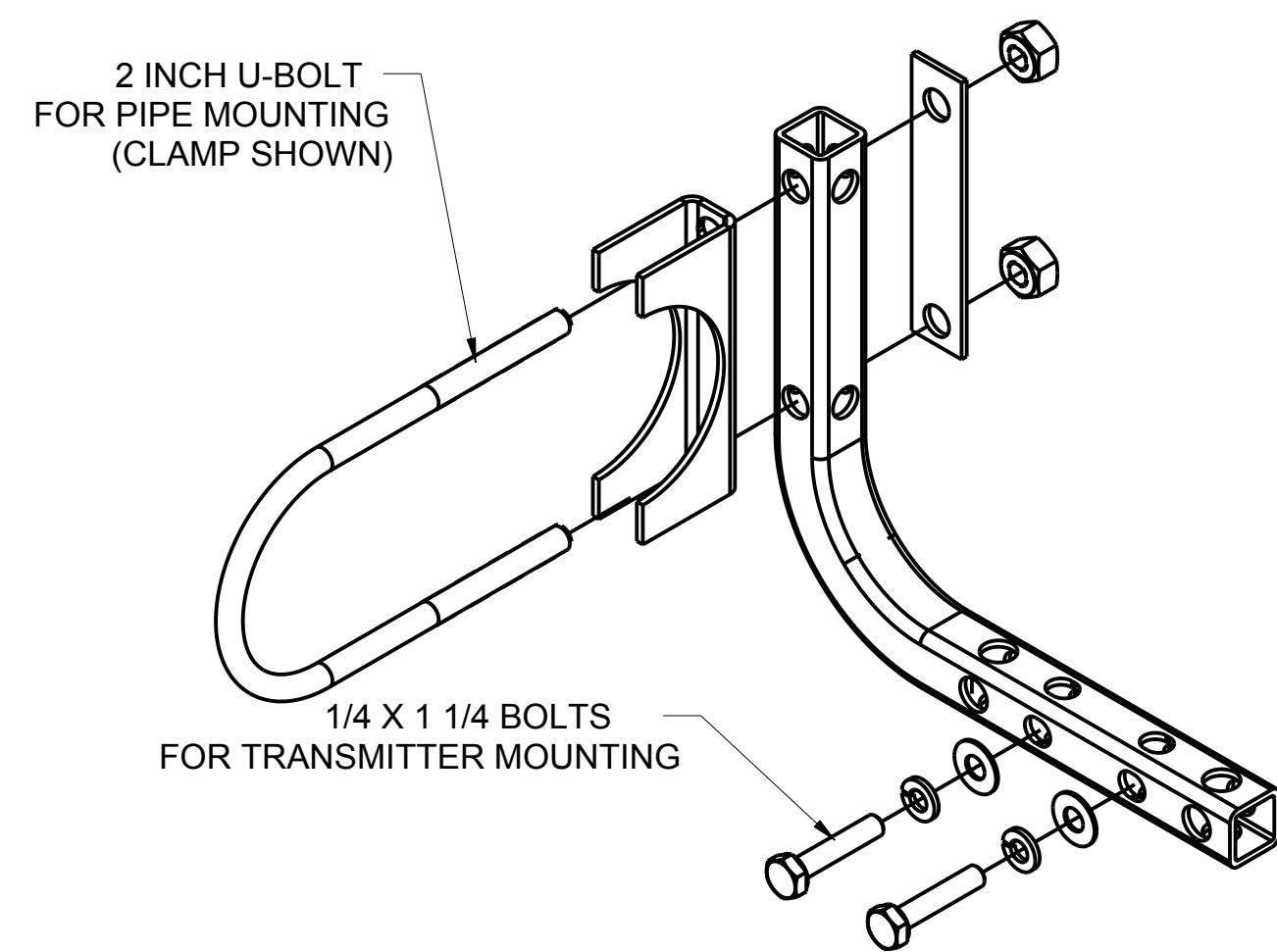
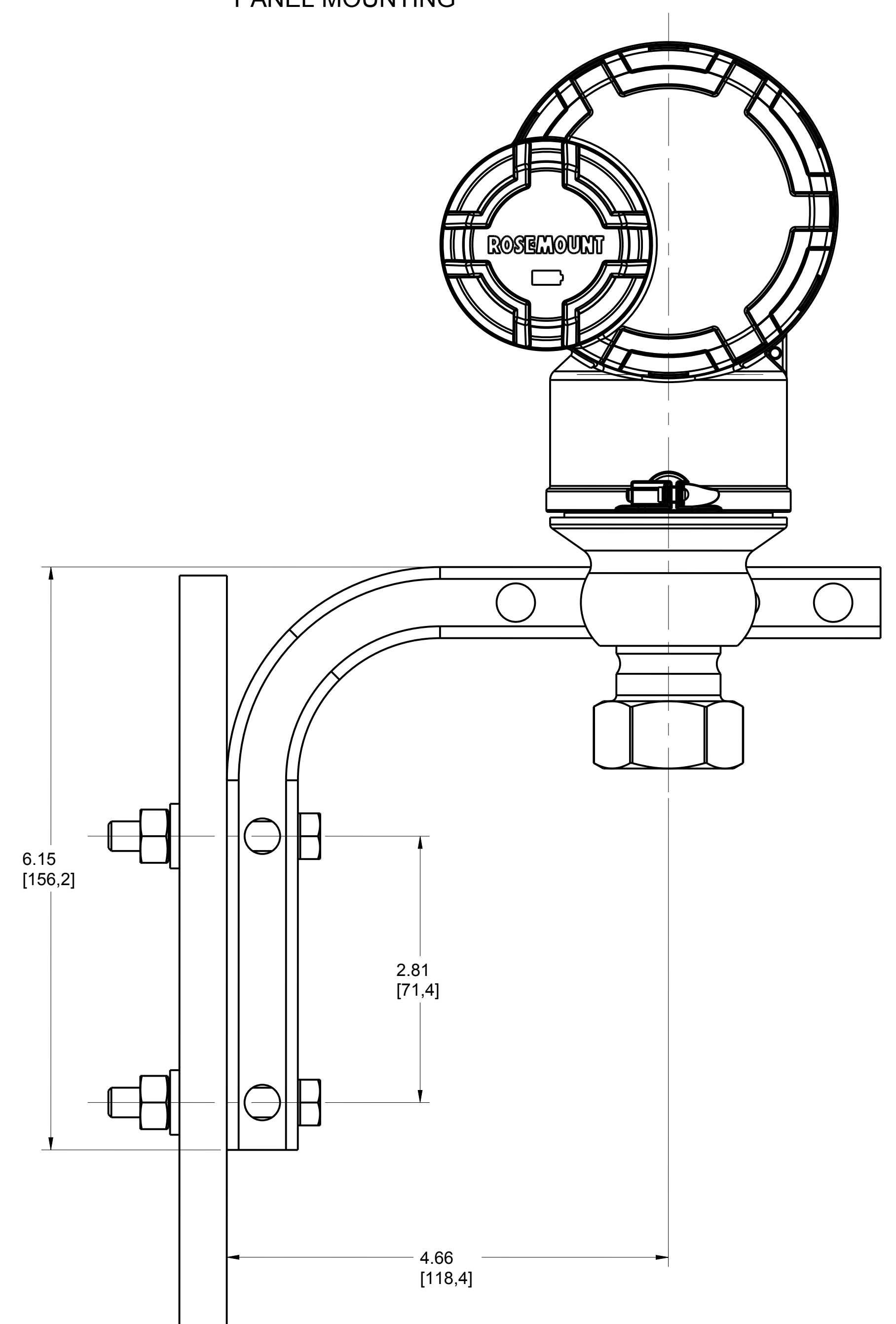
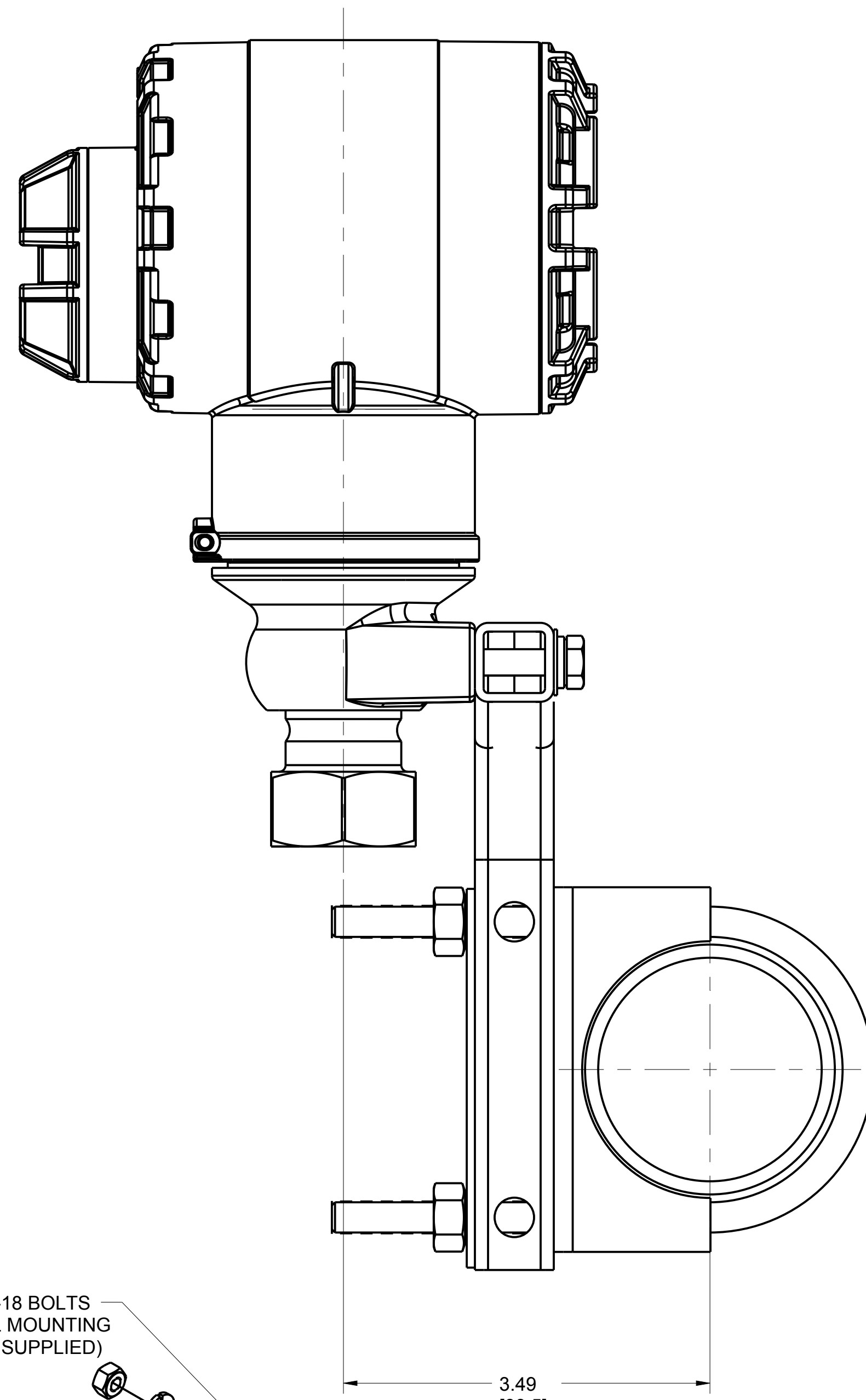
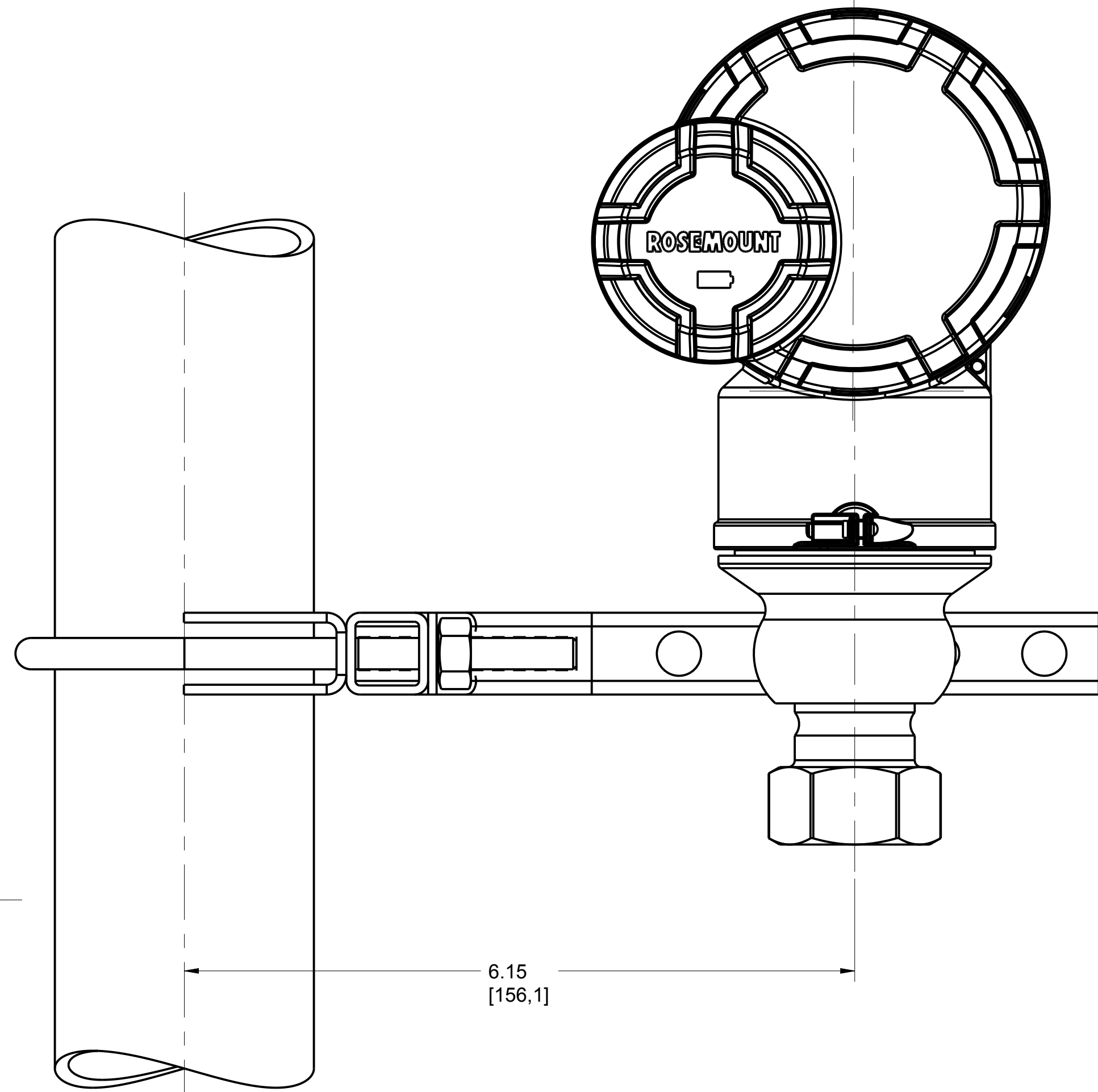
<small>UNLESS OTHERWISE SPECIFIED DIMENSIONS AND TOLERANCES GOVERN OVER ALL DIMENSIONS AND TOLERANCES CONTAINED HEREIN AND MUST BE HANDLED ACCORDINGLY. EMERSON</small>	CUSTOMER		3RD ANGLE	SIZE D	SCALE 1/1	REV AC
	CUSTOMER DWG NO.					
	P.O. No.					
	S.O. No.		TITLE ROSEMOUNT 2051T IN-LINE PRESSURE TRANSMITTER			
PROJECT NAME		DR.	JLA	11/18/12	DRAWING NO.	
		APPD	TW	3/4/14	02051-7711	
DO NOT SCALE PRINT		CAD MAINTAINED, (PRO/E)		PRODUCT CODE	DOC TYPE	D SHEET 5 OF 6

TAG NO. 02051-7711
 DRAWING NO.

ROSEMOUNT 2051T WIRELESS IN-LINE PRESSURE TRANSMITTER
MOUNTING CONFIGURATIONS WITH OPTIONAL MOUNTING BRACKET

PIPE MOUNTING

PANEL MOUNTING



<small>UNLESS OTHERWISE SPECIFIED DIMENSIONS AND TOLERANCES INFORMATION IS CONTAINED HEREIN AND MUST BE HANDLED ACCORDINGLY. EMERSON</small>	CUSTOMER	3RD ANGLE	SIZE D	SCALE 1/1	REV AC
	CUSTOMER DWG NO.				
	P.O. No.	TITLE ROSEMOUNT 2051T IN-LINE PRESSURE TRANSMITTER			
	S.O. No.	DR. JLA 11/18/12	DRAWING NO.	02051-7711	
PROJECT NAME	APPD TW 3/4/14			SHEET 6 OF 6	
DO NOT SCALE PRINT CAD MAINTAINED (PRO/E) PRODUCT CODE DOC TYPE D					

TAG NO. 02051-7711
 DRAWING NO.