

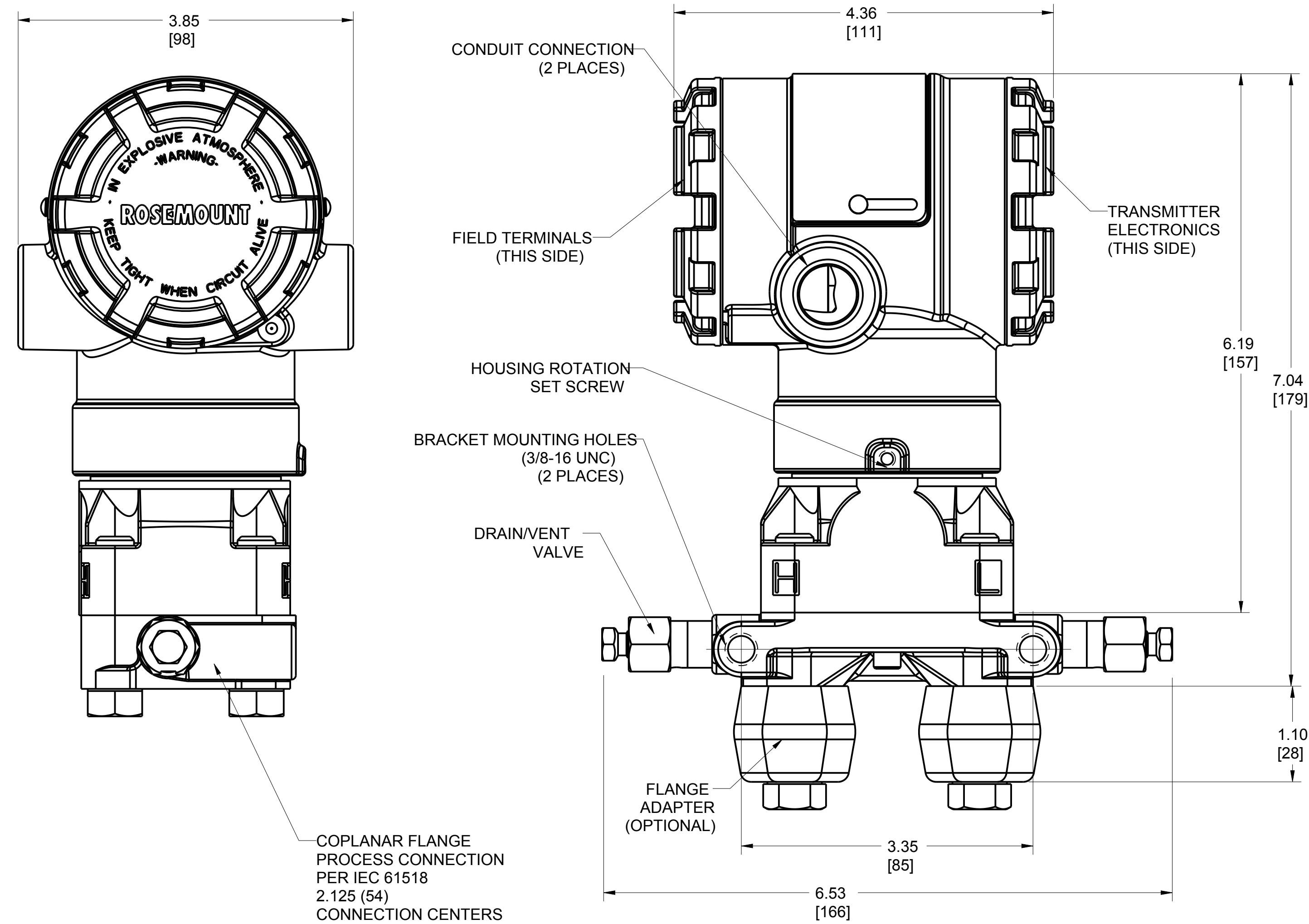
ROSEMOUNT 2051C COPLANAR PRESSURE TRANSMITTER

COPLANAR FLANGE PROCESS CONNECTION

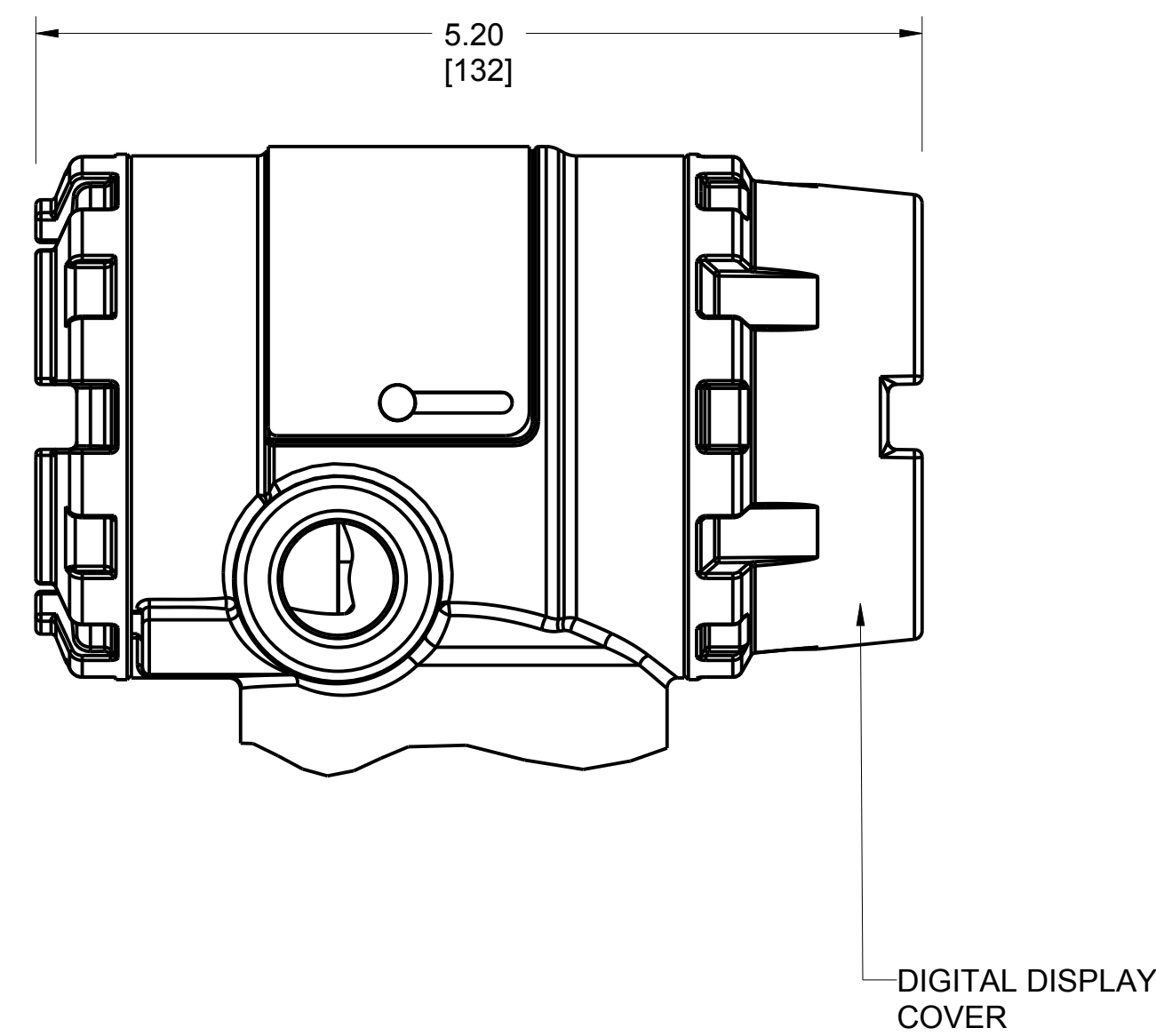
REVISION TABLE			
REVISION	ECO NO.	APP'D	DATE
AC	RTC1059347	TW	3/4/14
DESCRIPTION			
ADD DEVICE REVISION 1 NOTE			

OUTPUT CODE (A) AND (M) AND (F) (SEE NOTE 3)

ALUMINUM/SST HOUSING



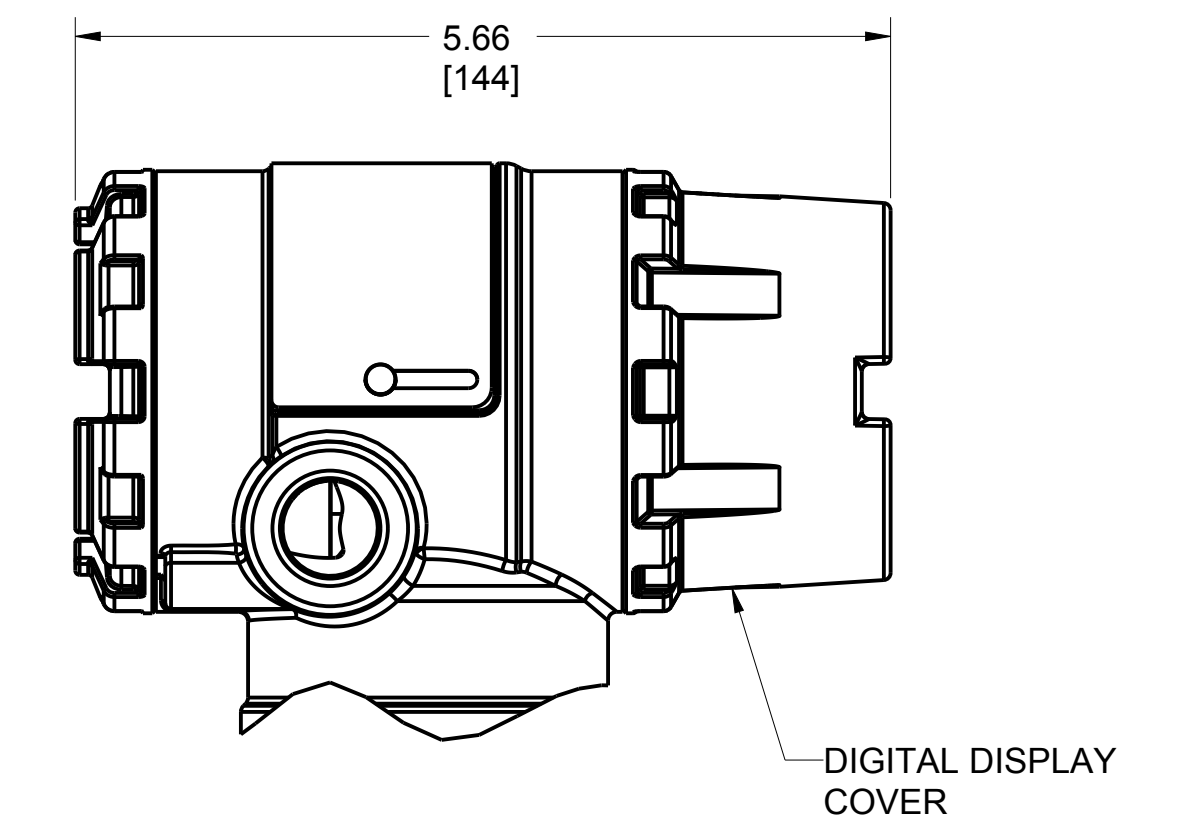
SHOWN WITH OPTIONAL DIGITAL DISPLAY



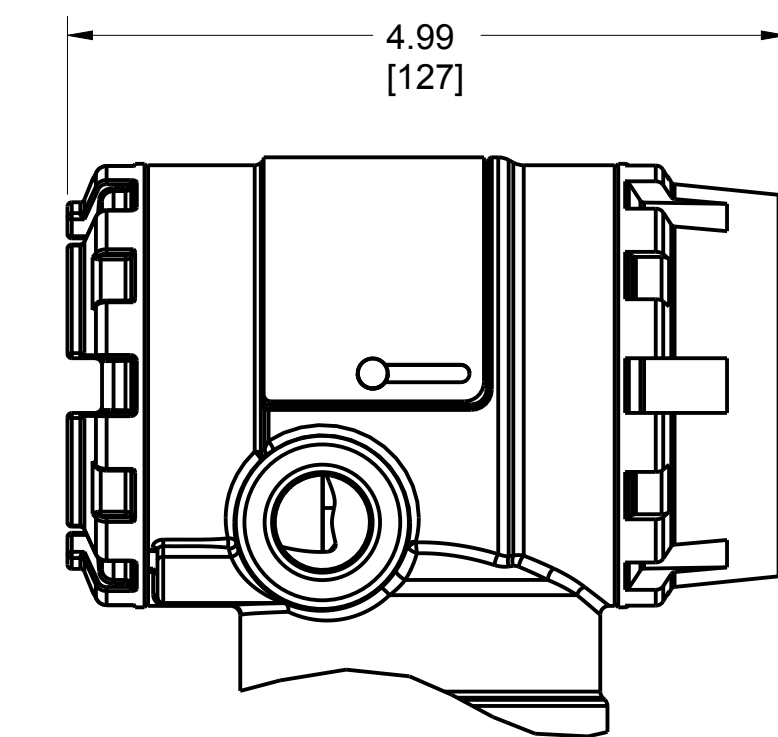
OUTPUT CODE (W) AND (F) (SEE NOTE 4)

ALUMINUM/SST HOUSING

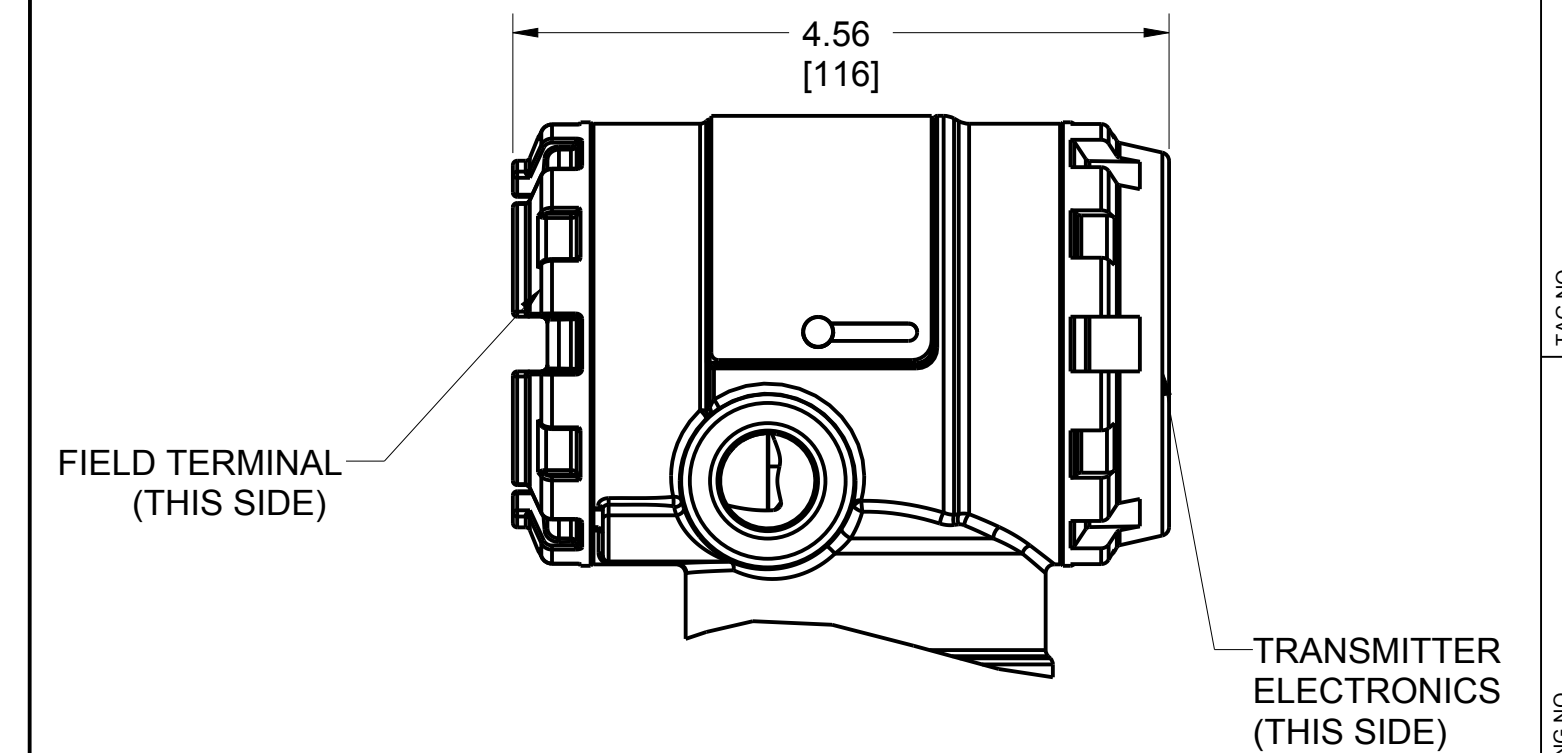
SHOWN WITH OPTIONAL DIGITAL DISPLAY



ALUMINUM HOUSING



SST HOUSING



1/4-18 NPT PROCESS CONNECTION OR
1/2-14 NPT WITH OPTIONAL FLANGE
ADAPTERS. ADAPTERS CAN BE ROTATED
TO GIVE CONNECTIONS OF
2.00 (51), 2.125 (54), OR 2.25 (57)

NOTES:

- ROSEMOUNT INC. CERTIFIES THIS DRAWING IN ACCORDANCE WITH ROSEMOUNT ENGINEERING SPECIFICATIONS AND ACCURATELY REPRESENTS THE EQUIPMENT FURNISHED.
- .75 (19) IS REQUIRED TO REMOVE COVERS (EACH SIDE)
- .FOR OUT CODE (F): HOUSING DIMENSIONS APPLY TO DEVICE REVISION 2 TRANSMITTERS ONLY.
- .FOR OUT CODE (F): HOUSING DIMENSIONS APPLY TO DEVICE REVISION 1 TRANSMITTERS ONLY.

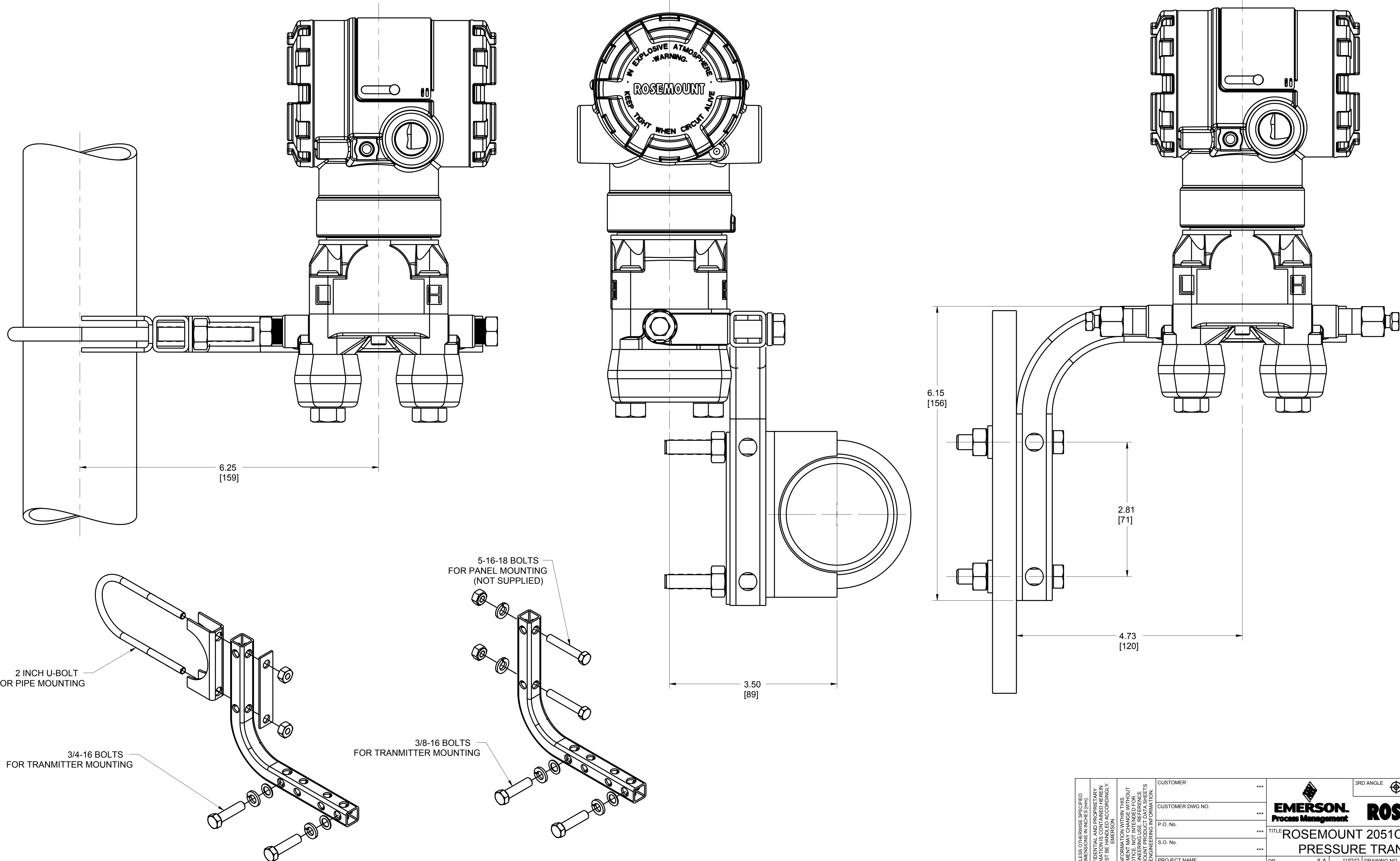
UNLESS OTHERWISE SPECIFIED DIMENSIONS AND TOLERANCES SHOWN IN THIS DRAWING ARE IN INCHES AND MUST BE HANDLED ACCORDINGLY. EMERSON	CUSTOMER	***	3RD ANGLE	SIZE D	SCALE 1/2	REV AC
	CUSTOMER DWG NO.	***				
INFORMATION WITHIN THIS DRAWING IS UNCLASSIFIED UNLESS INDICATED OTHERWISE NOTICE: NOT INTENDED FOR REPRODUCTION OR DISTRIBUTION WITHOUT THE WRITTEN CONSENT OF EMERSON FOR ENGINEERING INFORMATION	P.O. No.	***	EMERSON Process Management ROSEMOUNT			
	S.O. No.	***	TITLE ROSEMOUNT 2051C COPLANAR PRESSURE TRANSMITTER			
PROJECT NAME	DR.	JLA	11/02/12	DRAWING NO.		
	APP'D	TW	3/4/14	02051-7710		
DO NOT SCALE PRINT	CAD MAINTAINED, (PRO/E)	PRODUCT CODE	-	DOC TYPE	-	SHEET 1 OF 10

GAL. TAG NO. 02051-7710 DRAWING NO.

ROSEMOUNT 2051C COPLANAR PRESSURE TRANSMITTER
 COPLANAR FLANGE PROCESS CONNECTION

PIPE MOUNTING

PANEL MOUNTING

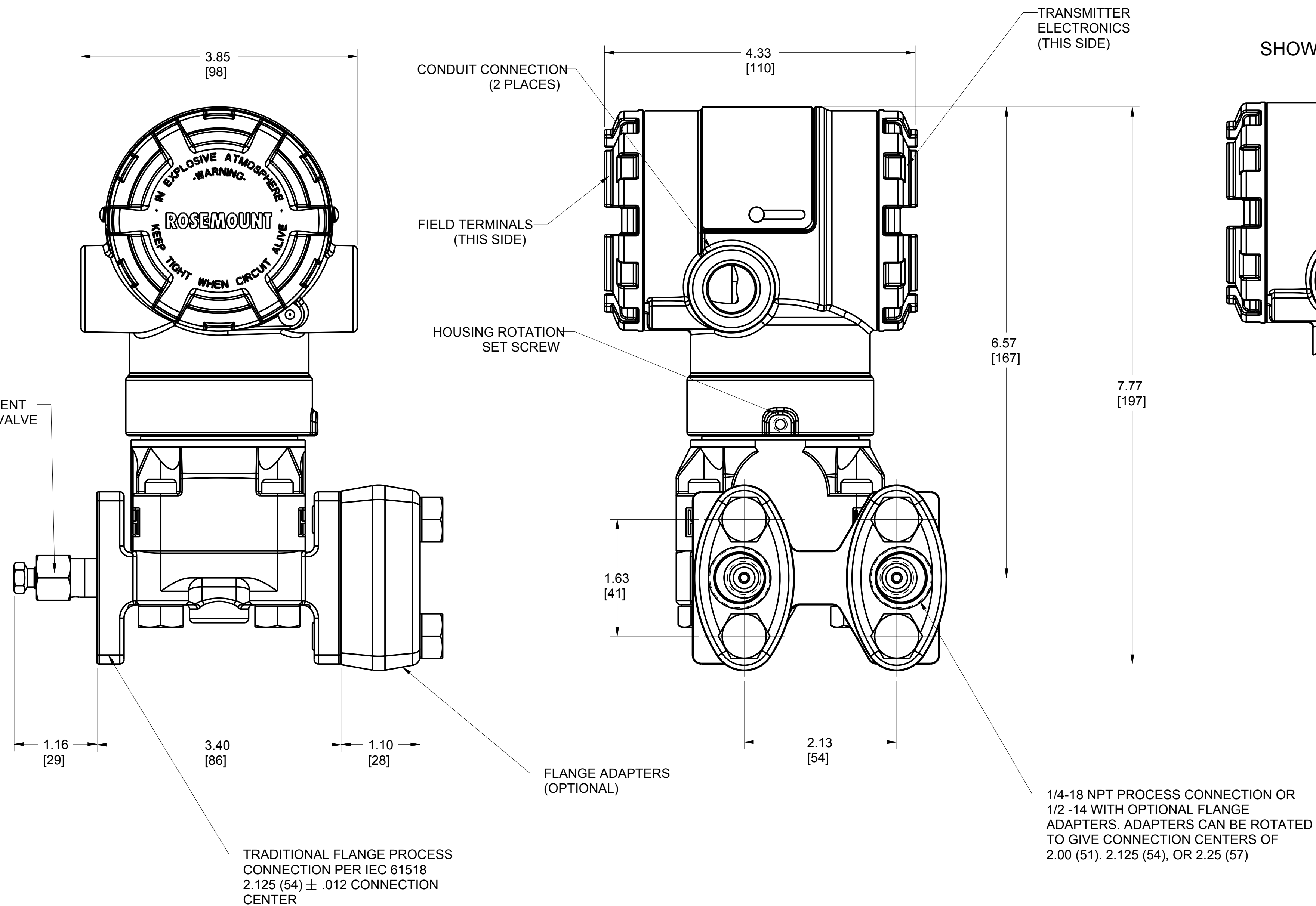


<small>UNLESS OTHERWISE SPECIFIED DIMENSIONS AND TOLERANCES INFORMATION IS CONTAINED HEREIN AND MUST BE HANDLED ACCORDINGLY. EMERSON</small>	CUSTOMER	***	3RD ANGLE	SIZE	SCALE	REV
	CUSTOMER DWG NO.	***		D	1/1	AC
	P.O. No.	***	EMERSON Process Management ROSEMOUNT®			
	S.O. No.	***				
PROJECT NAME	DR.	JLA	11/02/12	DRAWING NO.		
	APPD	TW	3/4/14	02051-7710		
DO NOT SCALE PRINT	CAD MAINTAINED, (PRO/E)	PRODUCT CODE	DOC TYPE	SHEET 2 OF 10		

TAG NO. 02051-7710
 DRAWING NO.

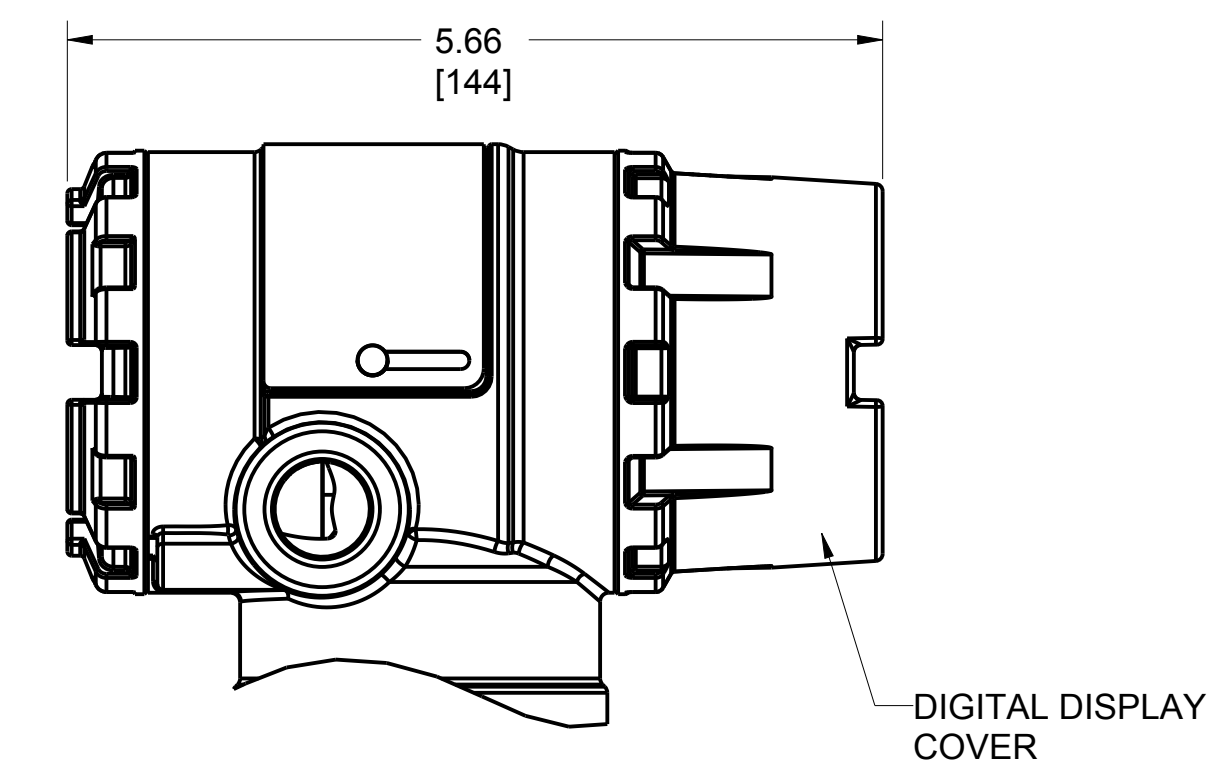
ROSEMOUNT 2051C COPLNAR PRESSURE TRANSMITTER TRADITIONAL FLANGE PROCESS CONNECTION

OUTPUT CODE (A) AND (M) AND (F) (SEE NOTE 3) REVISION 2 ALUMINUM/SST HOUSING

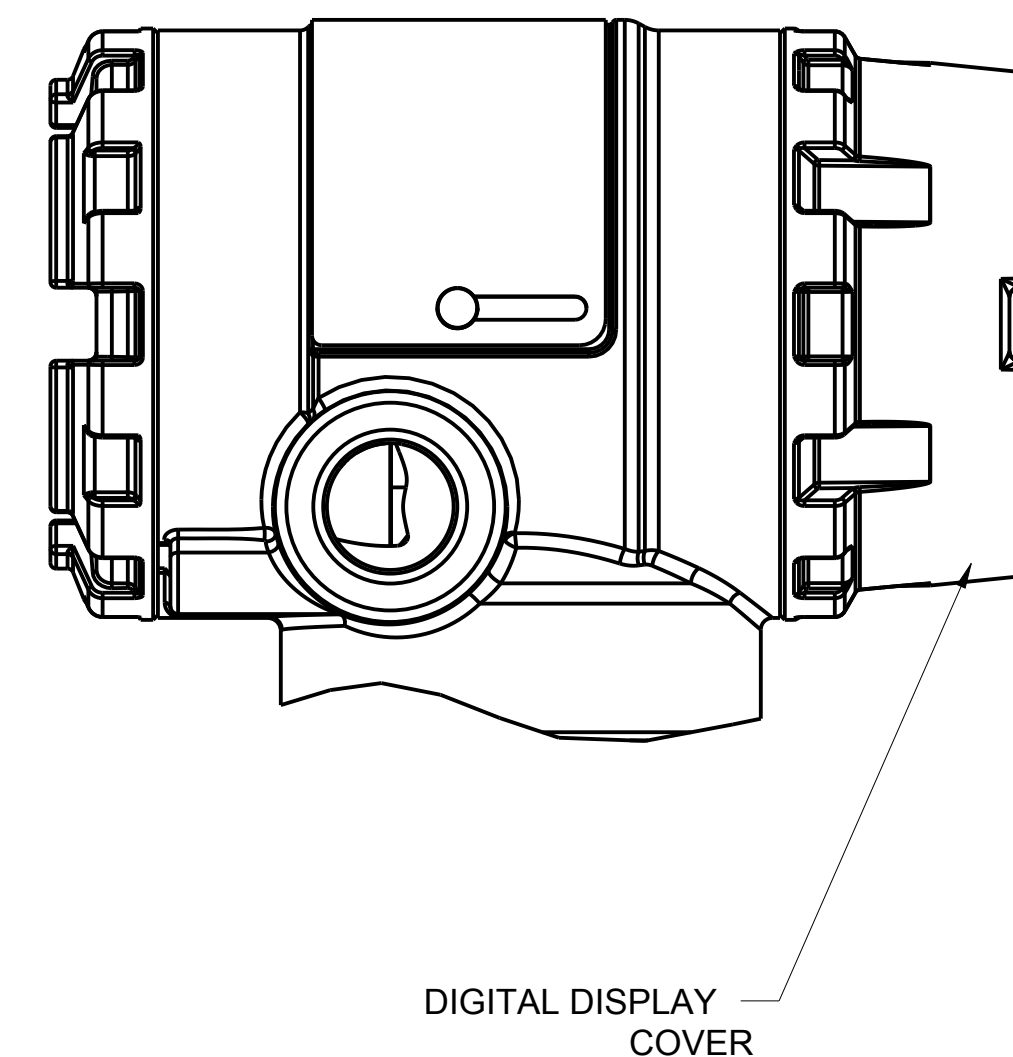


OUTPUT CODE (W) AND (F) (SEE NOTE 4)

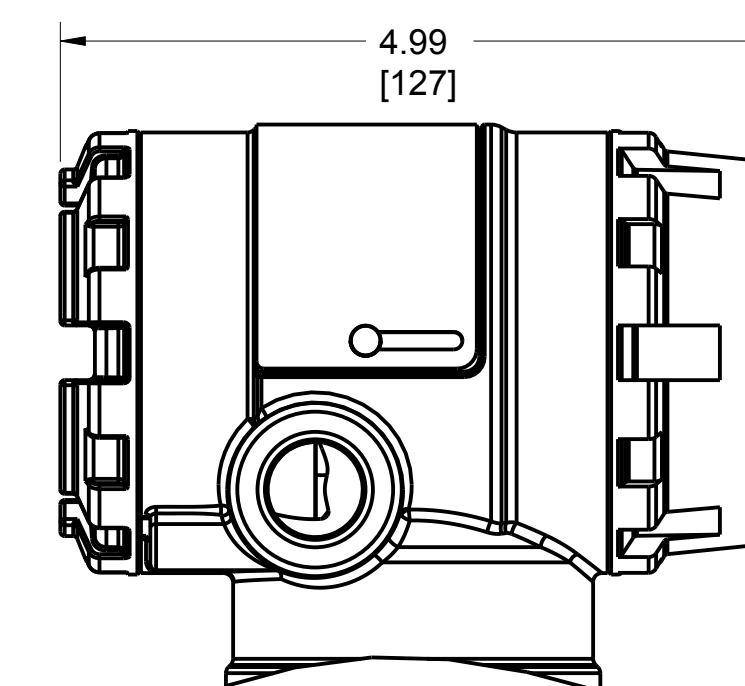
ALUMINUM/SST HOUSING SHOWN WITH OPTIONAL DIGITAL DISPLAY



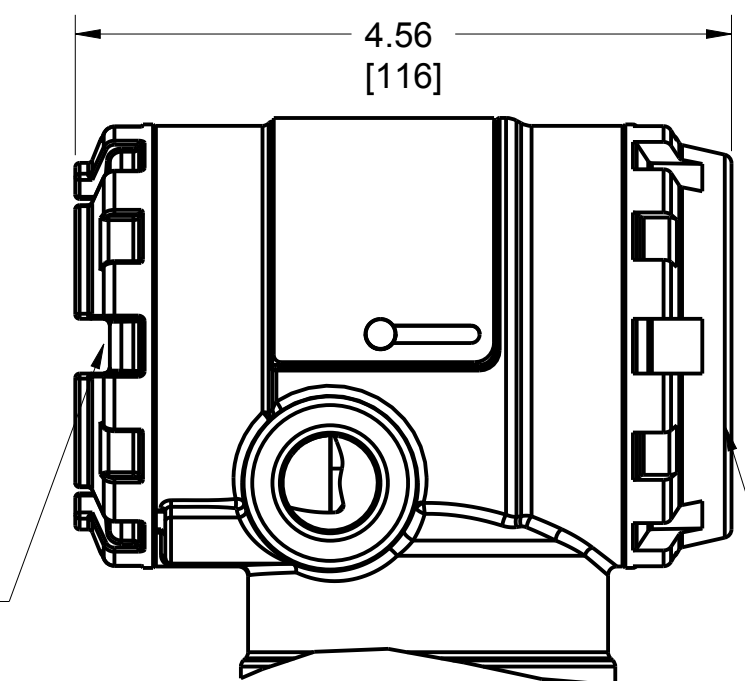
SHOWN WITH OPTIONAL DIGITAL DISPLAY



ALUMINUM HOUSING



SST HOUSING

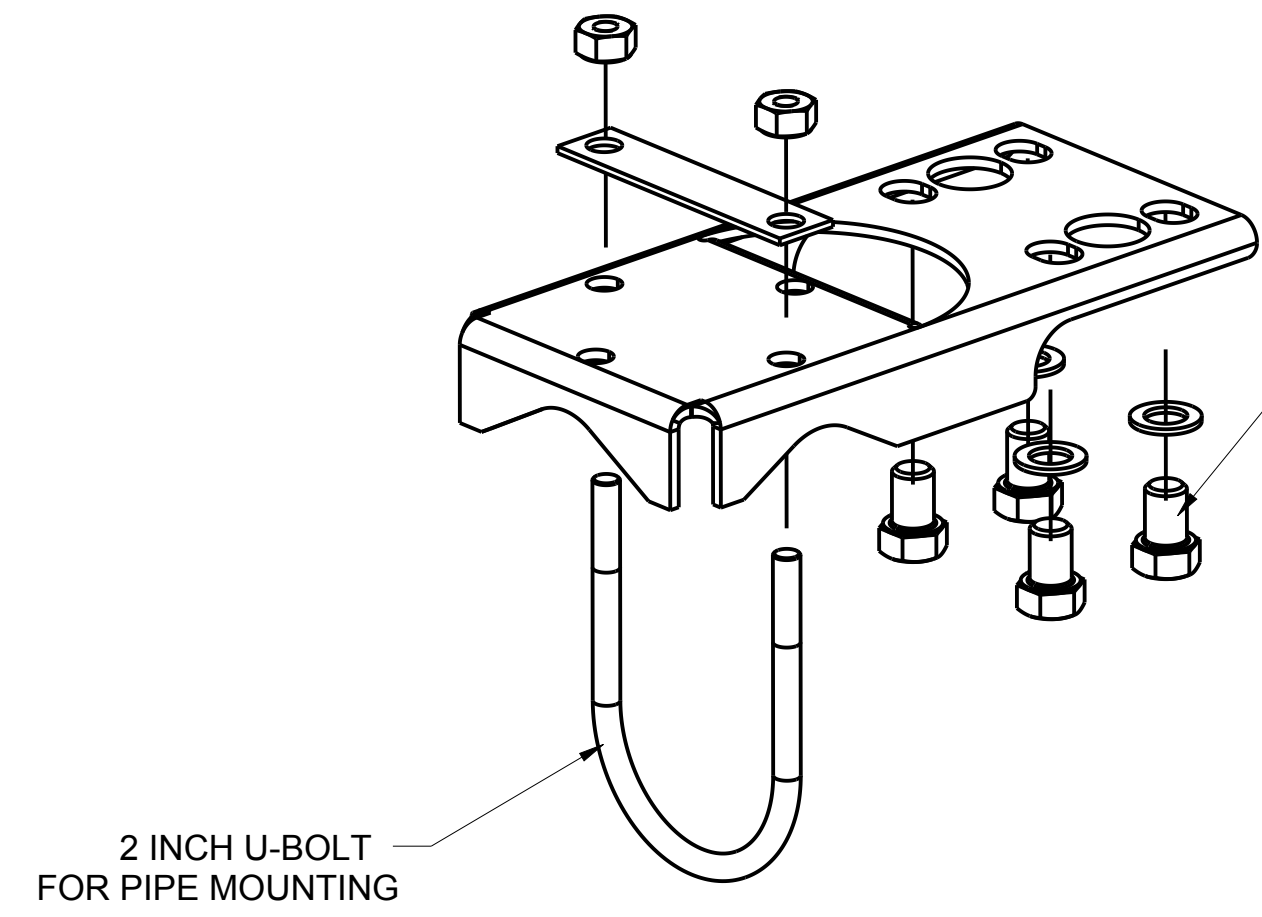
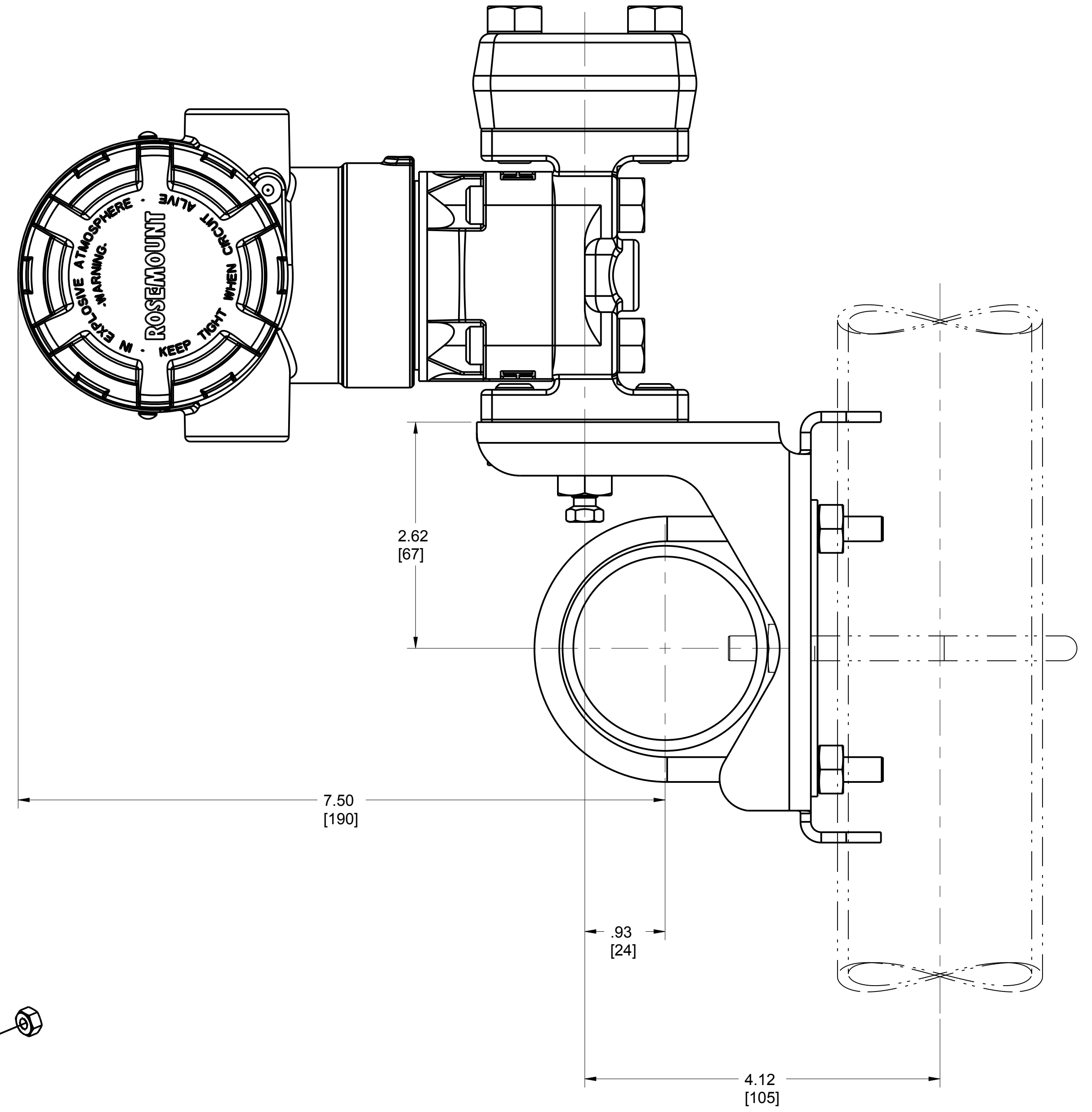
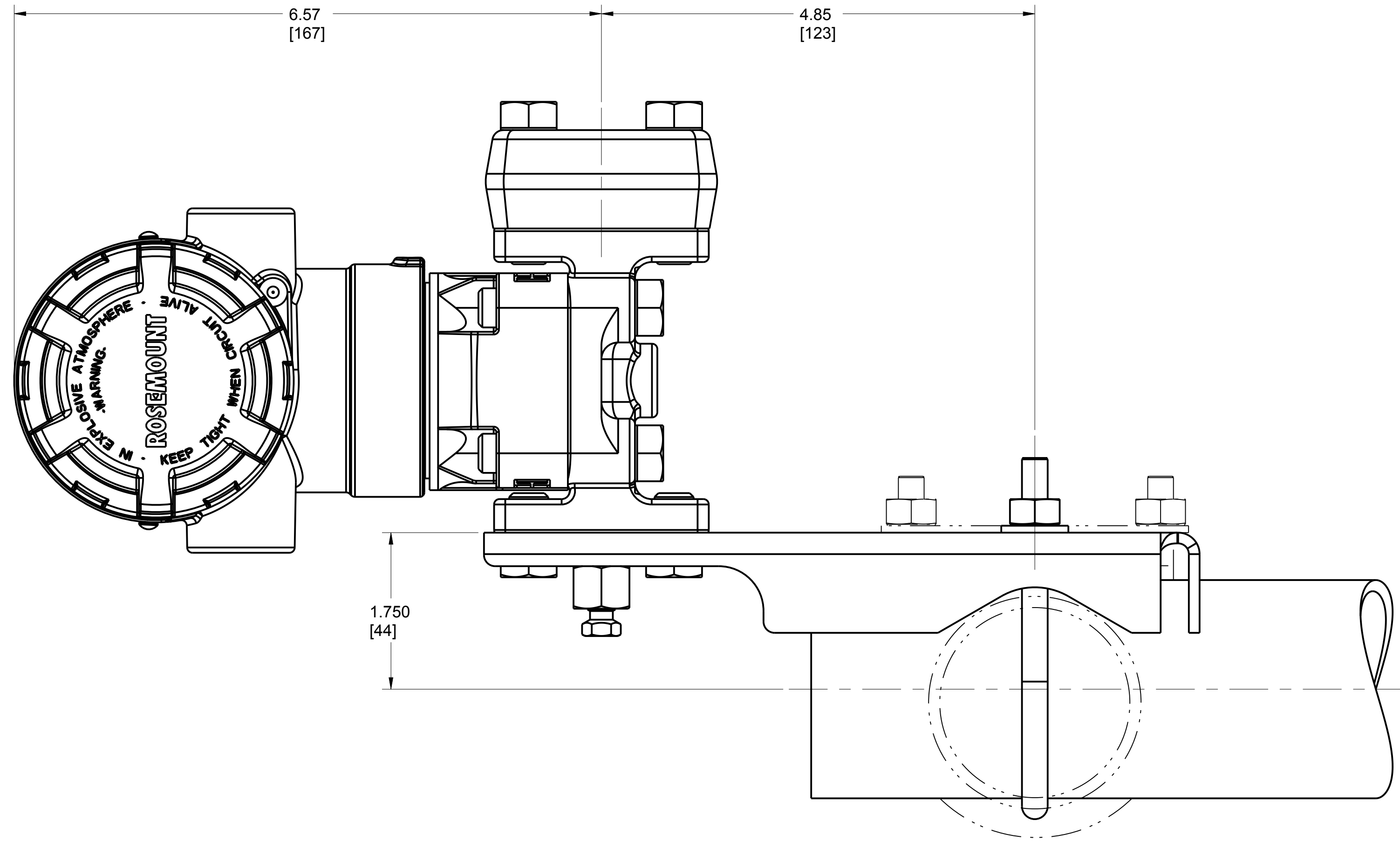


UNLESS OTHERWISE SPECIFIED CONNECTIONS AND DIMENSIONS INFORMATION IS CONTAINED HEREIN AND MUST BE HANDLED ACCORDINGLY. EMERSON	CUSTOMER	***	3RD ANGLE	SIZE	SCALE	REV
	CUSTOMER DWG NO.	***	D	1/1	AC	
INFORMATION WITHIN THIS DRAWING IS NOT TO BE USED FOR ENGINEERING USE. REFERENCE TO THIS DRAWING FOR ENGINEERING PURPOSES IS NOT AUTHORIZED WITHOUT THE WRITTEN PERMISSION OF EMERSON.	P.O. No.	***	EMERSON Process Management ROSEMOUNT® ROSEMOUNT 2051C COPLNAR PRESSURE TRANSMITTER			
	S.O. No.	***				
PROJECT NAME	DR.	JLA	11/02/12	DRAWING NO.	02051-7710	
APPD	TW	3/4/14	DRAWING NO. 02051-7710			
DO NOT SCALE PRINT	CAD MAINTAINED, (PRO/E)	PRODUCT CODE	DOC TYPE	SHEET 3 OF 10		

TAG NO. 02051-7710
 DRAWING NO.

ROSEMOUNT 2051C COPLANAR PRESSURE TRANSMITTER TRADITIONAL FLANGE MOUNTING CONFIGURATIONS

PIPE MOUNTING



7/16-20 x 5/8 BOLTS FOR TRANSMITTER MOUNTING

2 INCH U-BOLT FOR PIPE MOUNTING

7/16-20 x 5/8 BOLTS FOR TRANSMITTER MOUNTING

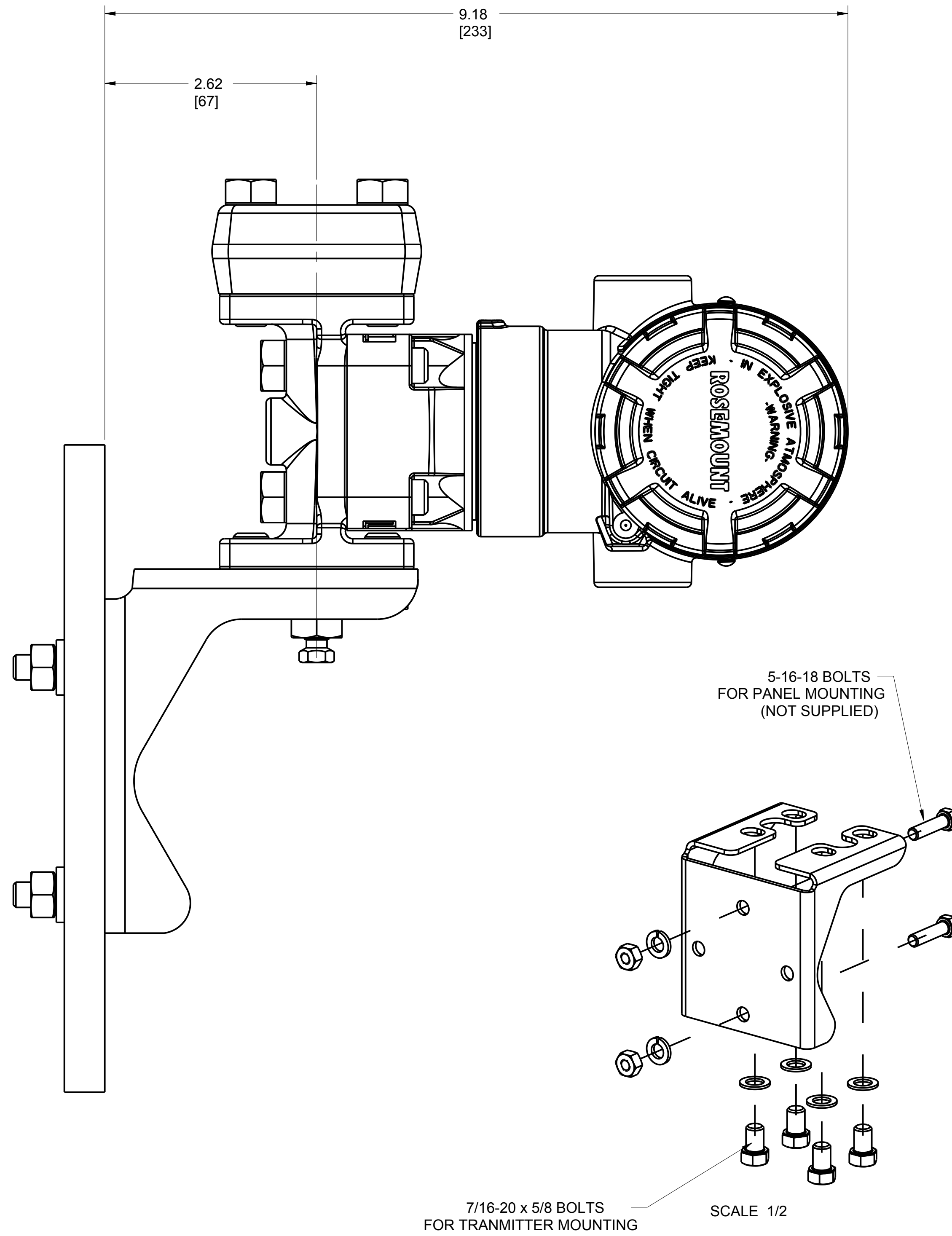
SCALE 1/2

<small>UNLESS OTHERWISE SPECIFIED DIMENSIONS AND TOLERANCES GOVERN OVER ALL DIMENSIONS AND TOLERANCES CONTAINED HEREIN AND MUST BE HANDLED ACCORDINGLY. EMERSON</small>	CUSTOMER	***	3RD ANGLE	SIZE	SCALE	REV
	CUSTOMER DWG NO.	***	D	1/2	AC	
	P.O. No.	***				
	S.O. No.	***	TITLE ROSEMOUNT 2051C COPLANAR PRESSURE TRANSMITTER			
PROJECT NAME	DR.	JLA	11/02/12	DRAWING NO.		
	APPD	TW	3/4/14	02051-7710		
DO NOT SCALE PRINT	CAD MAINTAINED, (PRO/E)	PRODUCT CODE	DOC TYPE	SHEET 4 OF 10		

TAG NO. 02051-7710
 DRAWING NO.

ROSEMOUNT 2051C COPLANAR PRESSURE TRANSMITTER
 TRADITIONAL FLANGE MOUNTING CONFIGURATIONS

PANEL MOUNTING

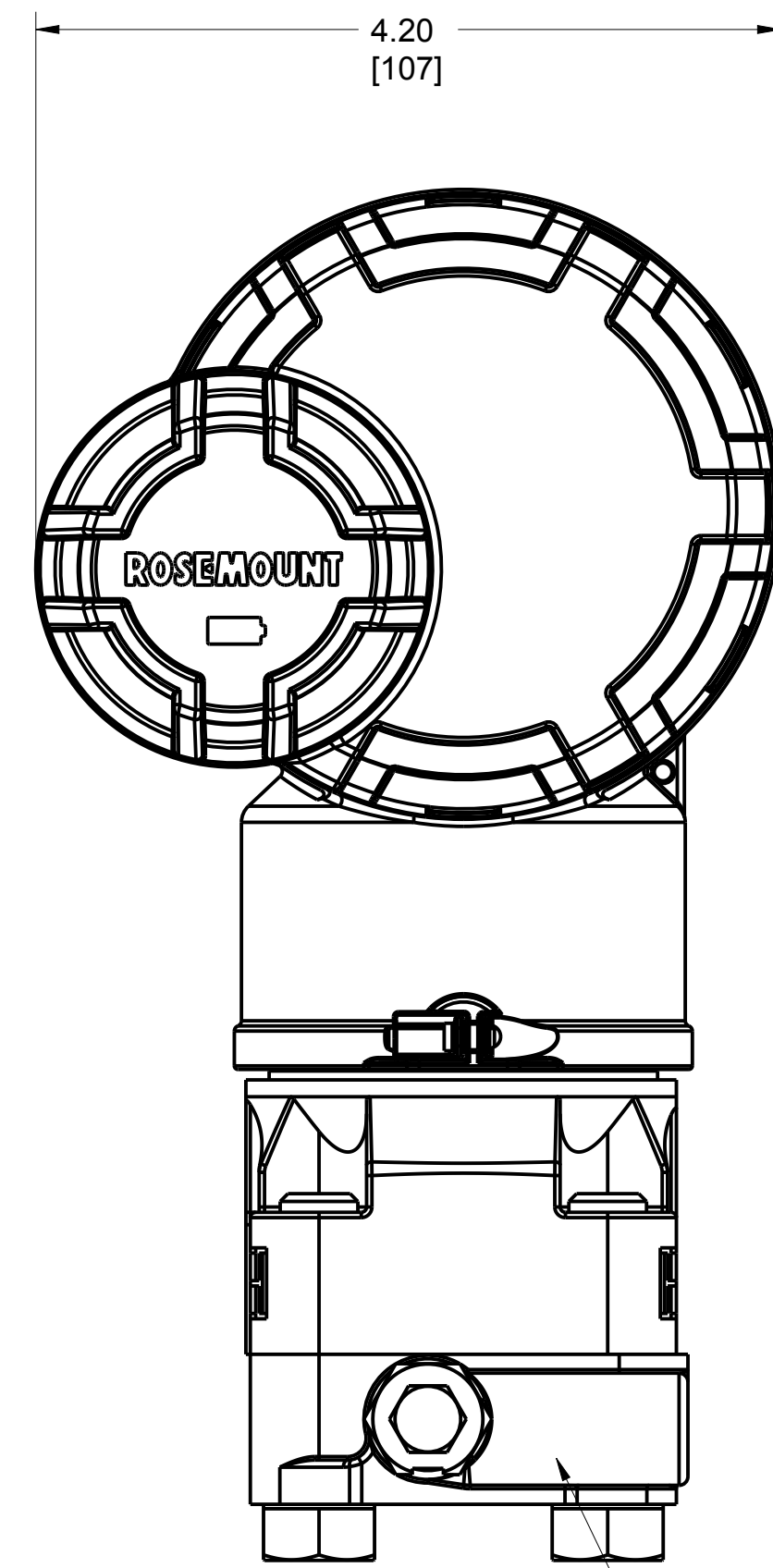


UNLESS OTHERWISE SPECIFIED DIMENSIONS AND TOLERANCES GOVERN OVER ALL DIMENSIONS AND TOLERANCES SHOWN HEREIN AND MUST BE HANDLED ACCORDINGLY. EMERSON	CUSTOMER	***	3RD ANGLE	SIZE	SCALE	REV
	CUSTOMER DWG NO.	***	D	1/3	AC	
INFORMATION WITHIN THIS DRAWING IS UNCLASSIFIED UNLESS INDICATED OTHERWISE NOTICE NOT INTENDED FOR REPRODUCTION OR DISTRIBUTION WITHOUT PERMISSION OF EMERSON	P.O. No.	***				
	S.O. No.	***				
PROJECT NAME	DR.	JLA	11/02/12	DRAWING NO.		
	APPD	TW	3/4/14	02051-7710		
DO NOT SCALE PRINT	CAD MAINTAINED, (PRO/E)	PRODUCT CODE	-	DOC TYPE	-	SHEET 5 OF 10

DRAWING NO. 02051-7710 TAG NO. CAL

ROSEMOUNT 2051C WIRELESS COPLANAR PRESSURE TRANSMITTER COPLANAR FLANGE PROCESS CONNECTION

OUTPUT CODE X
POLYMER HOUSING



4.20
[107]

COPLANAR FLANGE
PROCESS CONNECTION
PER IEC 61518
2.125 (54)
CONNECTION CENTERS

FIELD TERMINALS
(THIS SIDE)

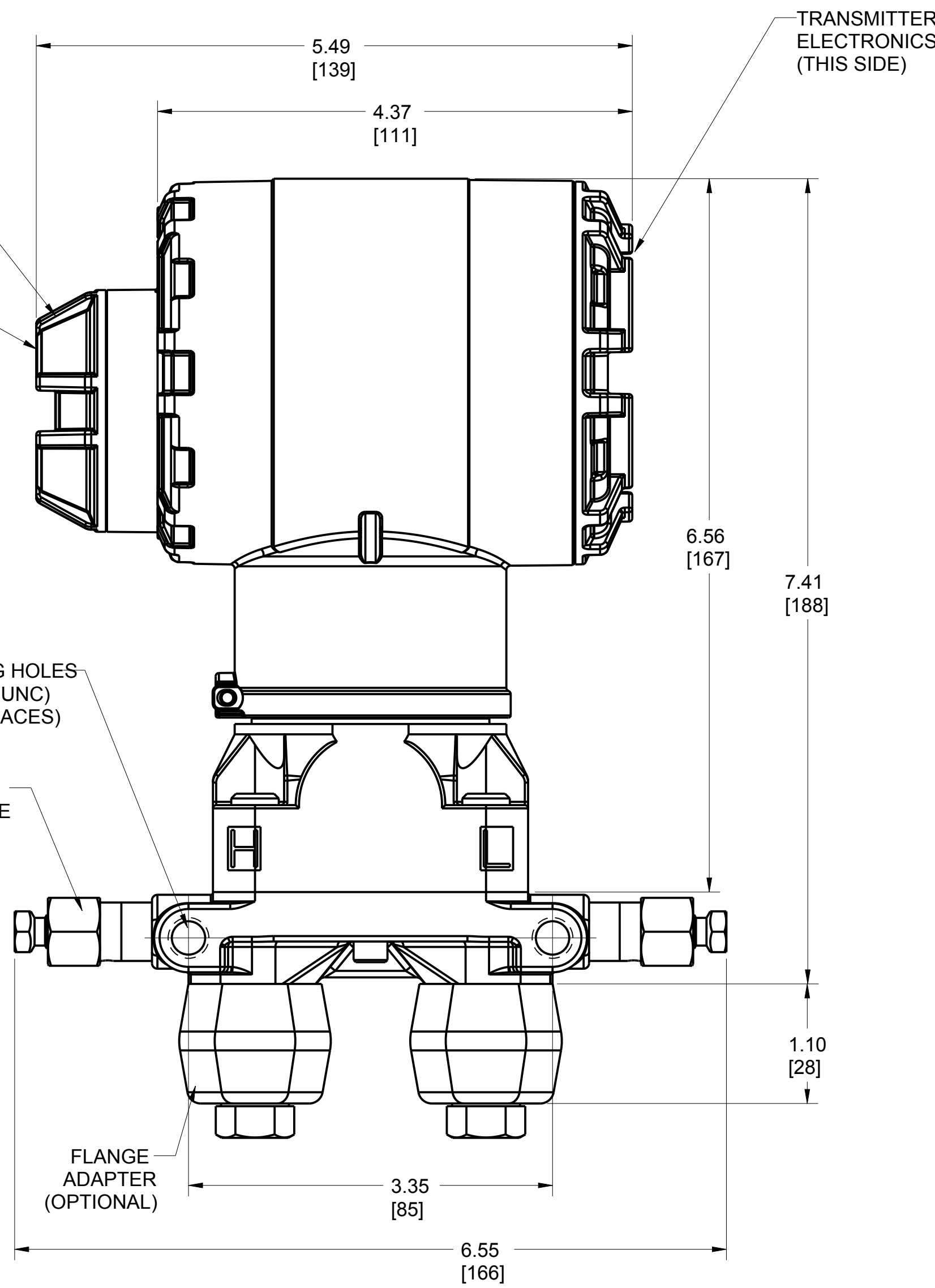
POWER MODULE

BRACKET MOUNTING HOLES
(3/8-16 UNC)
(2 PLACES)

DRAIN/VENT
VALVE

FLANGE
ADAPTER
(OPTIONAL)

1/4-18 NPT PROCESS CONNECTION OR
1/2-14 NPT WITH OPTIONAL FLANGE
ADAPTERS. ADAPTERS CAN BE ROTATED
TO GIVE CONNECTIONS OF
2.00 (51), 2.125 (54), OR 2.25 (57)



5.49
[139]

4.37
[111]

TRANSMITTER
ELECTRONICS
(THIS SIDE)

6.56
[167]

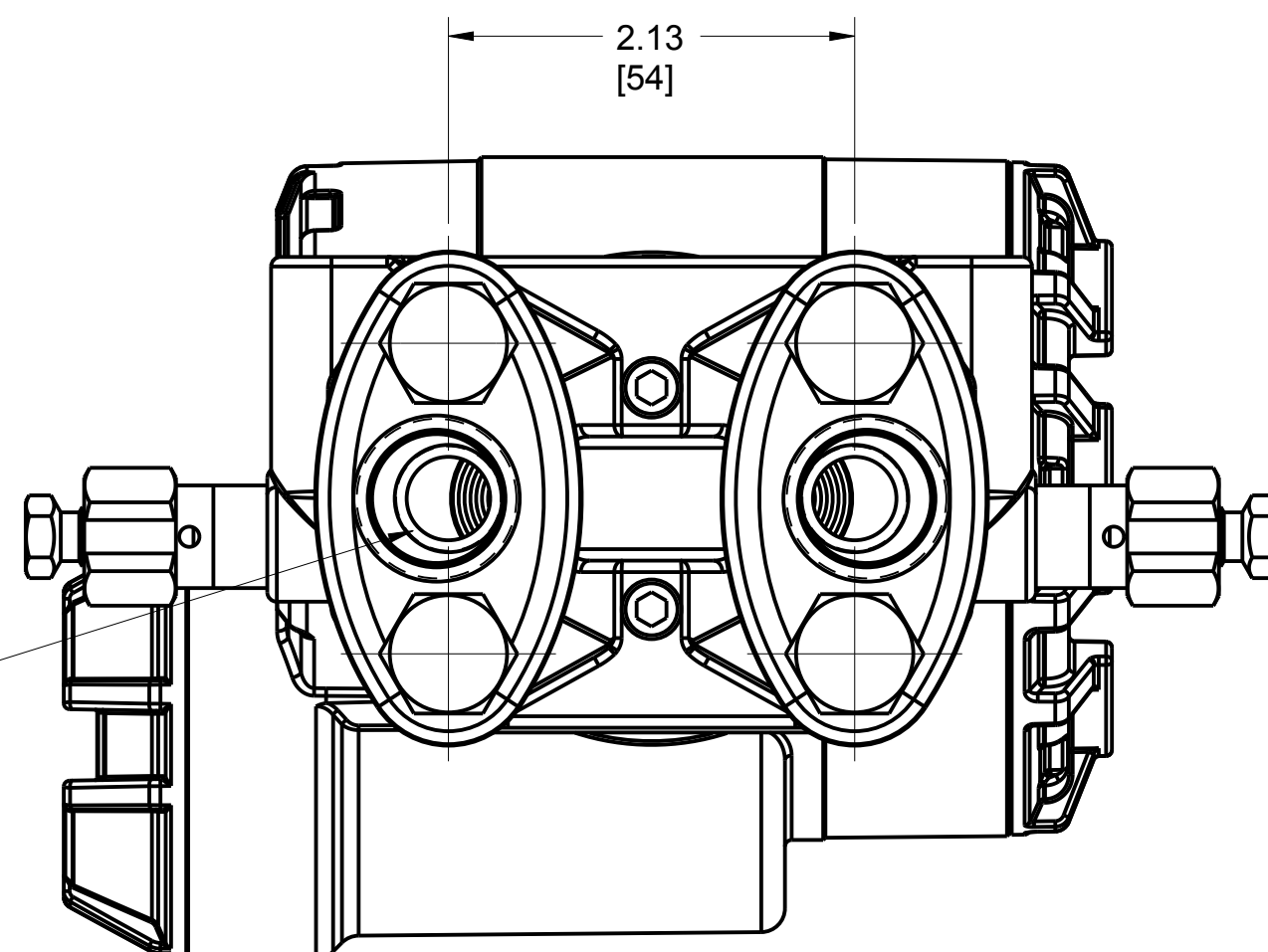
7.41
[188]

1.10
[28]

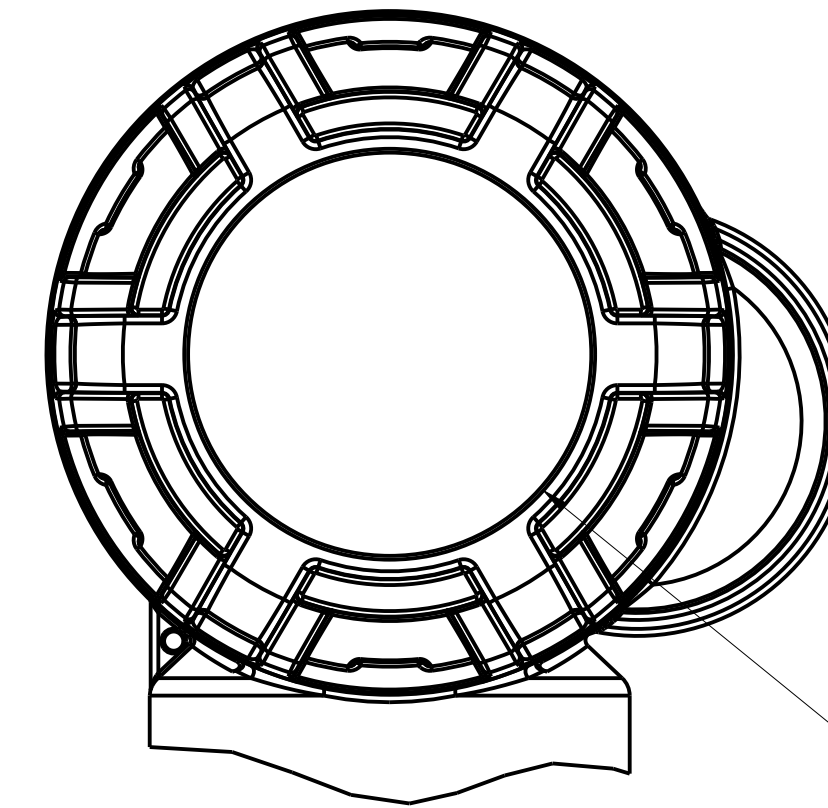
3.35
[85]

6.55
[166]

2.13
[54]



SHOWN WITH OPTIONAL DIGITAL DISPLAY



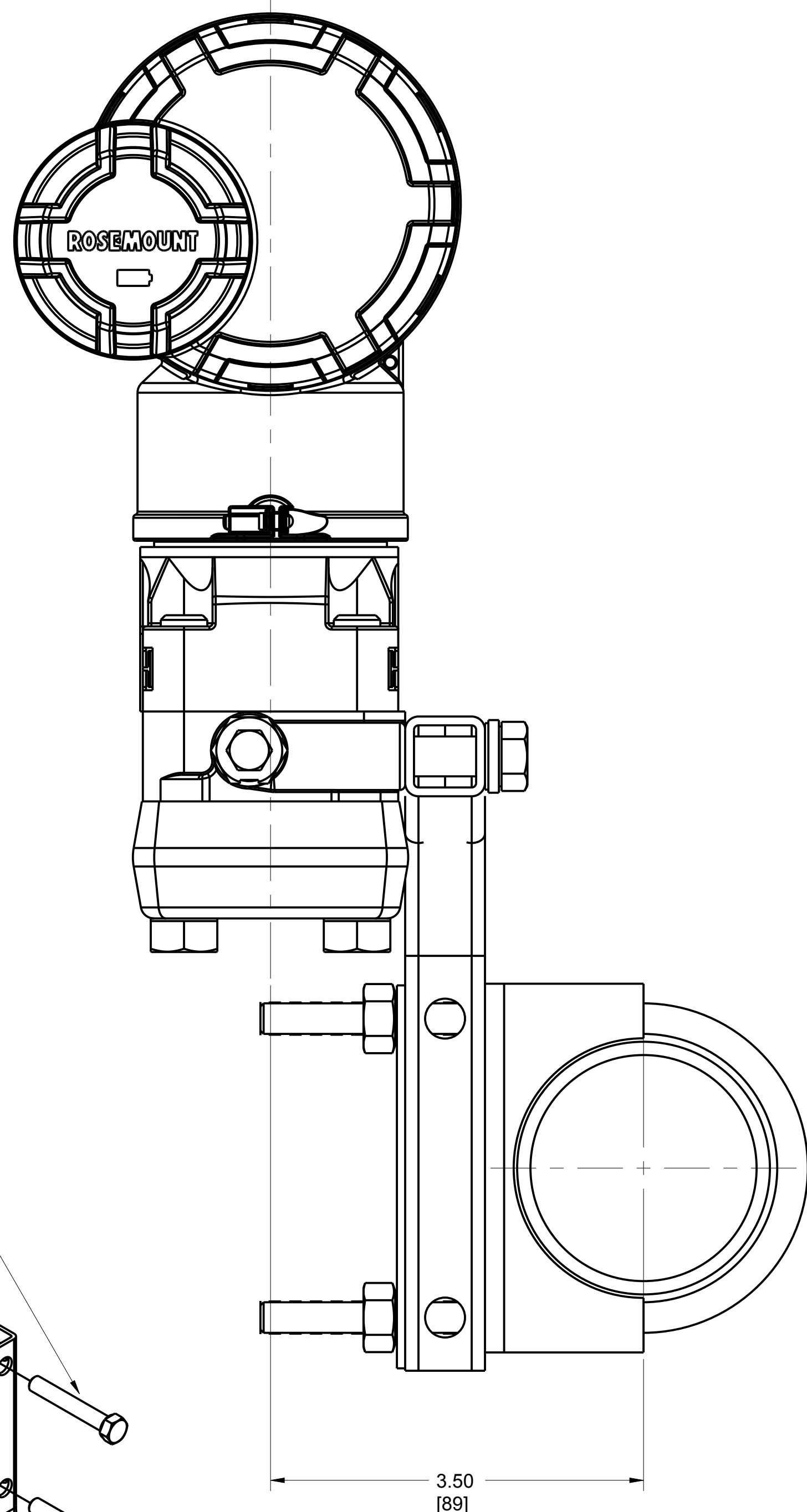
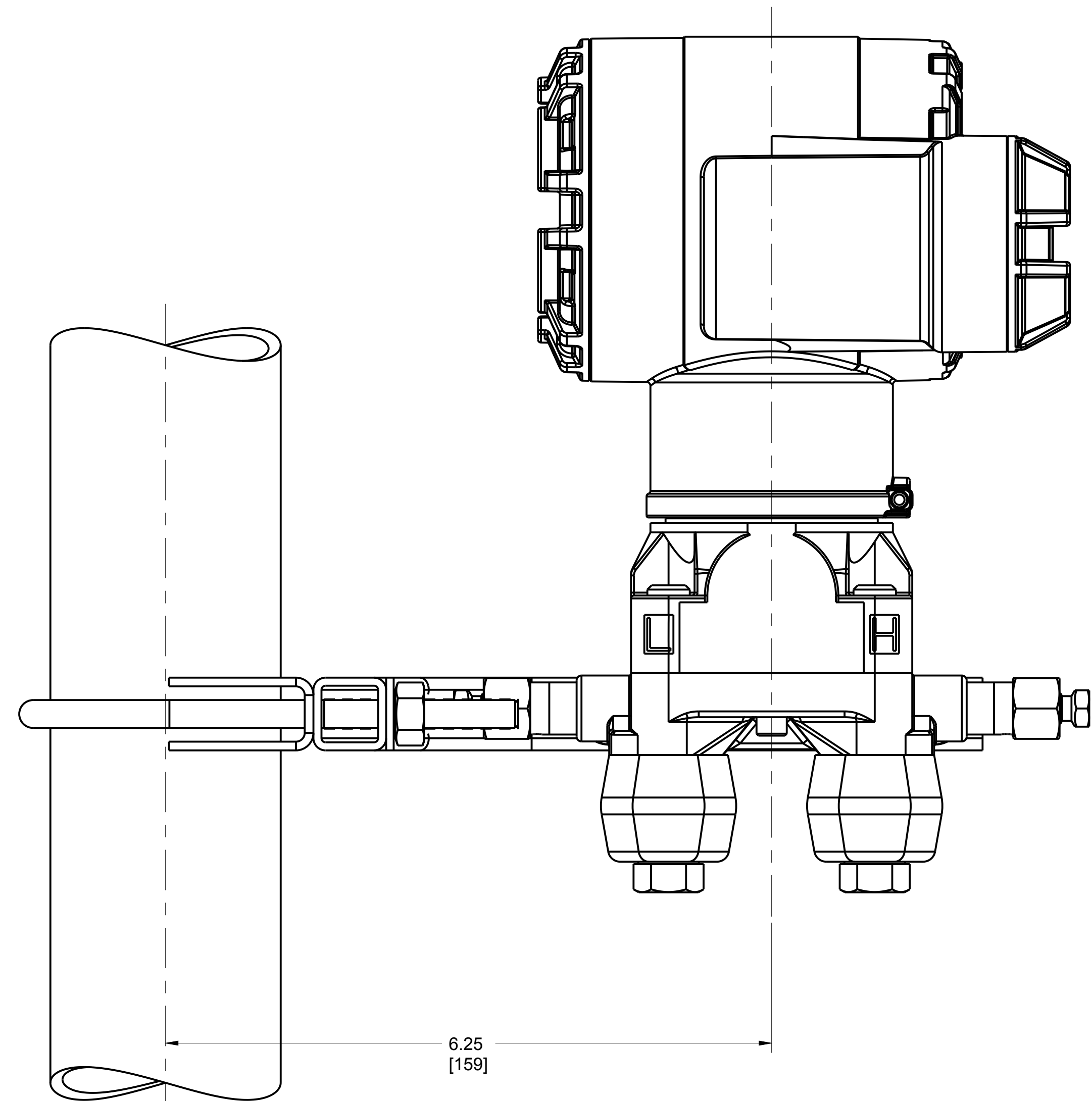
DIGITAL DISPLAY
COVER

<small>UNLESS OTHERWISE SPECIFIED DIMENSIONS AND TOLERANCES CONFORM TO THE FIRST PRIORITY INFORMATION CONTAINED HEREIN AND MUST BE HANDLED ACCORDINGLY. EMERSON</small>	CUSTOMER	***	3RD ANGLE		SIZE D	SCALE 1/2	REV AC
	CUSTOMER DWG NO.	***			TITLE ROSEMOUNT 2051C COPLANAR PRESSURE TRANSMITTER		
	P.O. No.	***					
	S.O. No.	***	DR. JLA 11/02/12 APPD. TW 3/4/14	DRAWING NO.	02051-7710		
PROJECT NAME	***	DO NOT SCALE PRINT CAD MAINTAINED, (PROE) PRODUCT CODE - DOC TYPE - SHEET 6 OF 10					

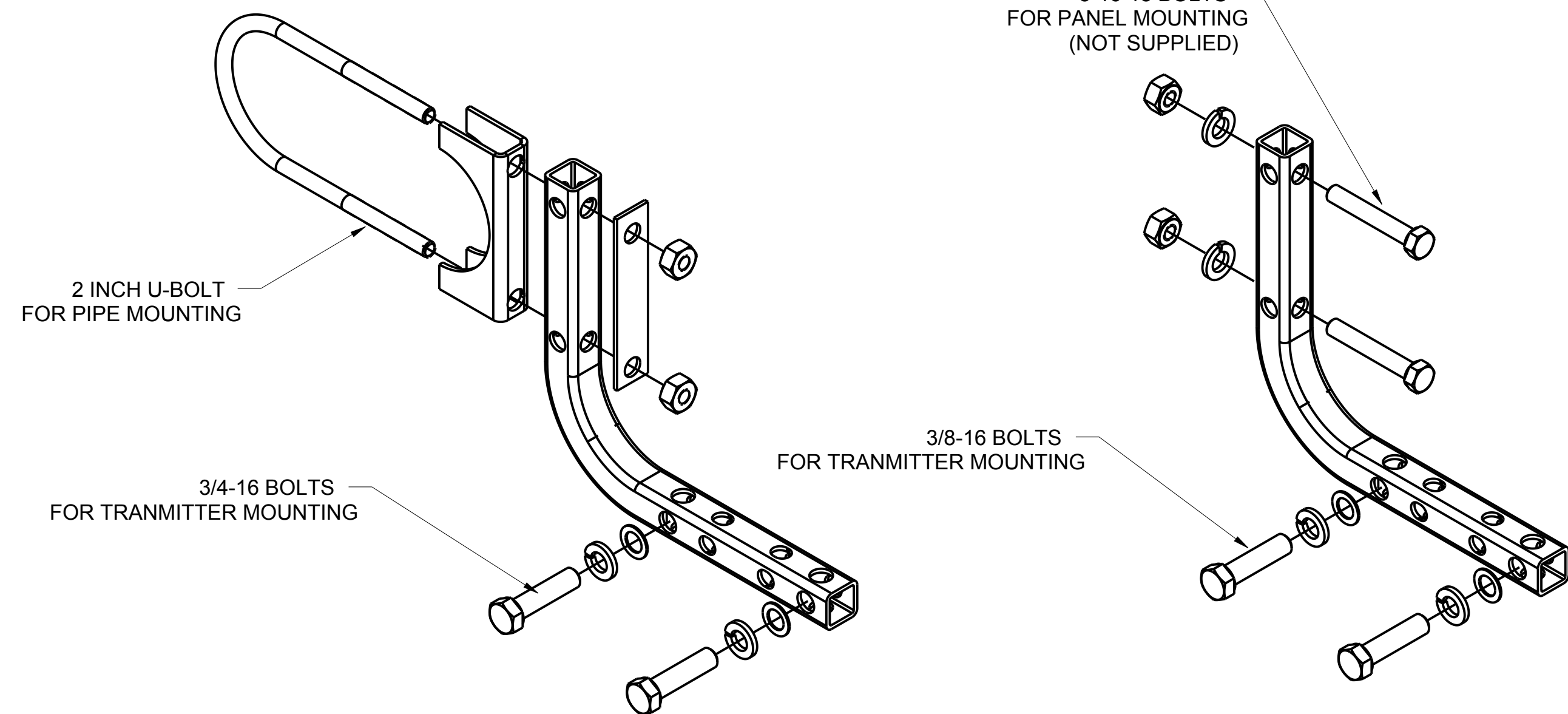
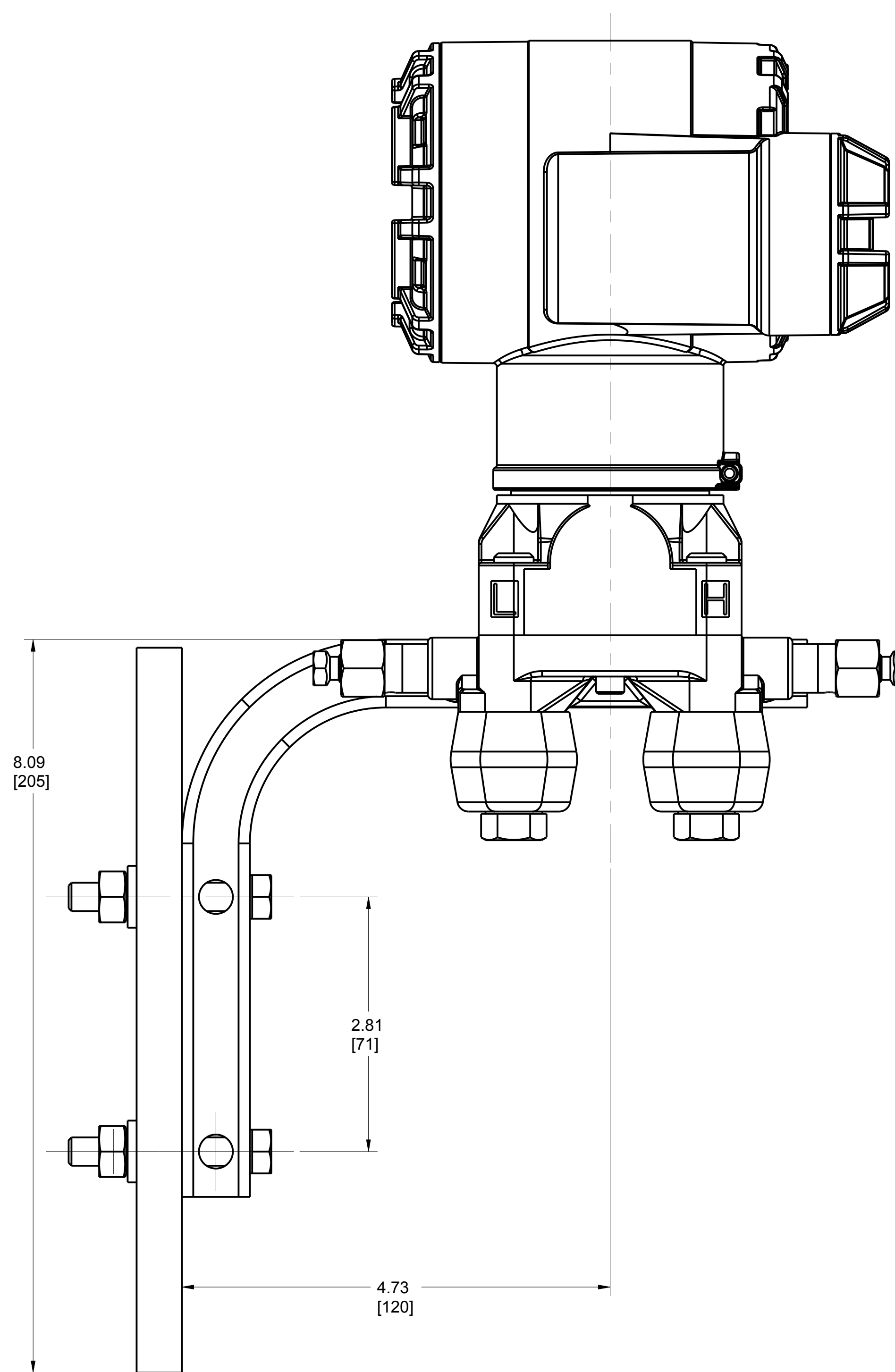
DRAWING NO. 02051-7710
 TAG NO. CAL

ROSEMOUNT 2051C WIRELESS COPLANAR PRESSURE TRANSMITTER
 COPLANAR FLANGE MOUNTING CONFIGURATIONS

PIPE MOUNTING



PANEL MOUNTING



UNLESS OTHERWISE SPECIFIED DIMENSIONS AND DIMENSIONS INFORMATION IS CONTAINED HEREIN AND MUST BE HANDLED ACCORDINGLY. EMERSON INFORMATION WITHIN THIS DOCUMENT IS UNCLASSIFIED NOTICE NOT INTENDED FOR ENGINEERING USE. REFERENCE FOR ENGINEERING INFORMATION.	CUSTOMER	***	3RD ANGLE	SIZE	SCALE	REV
	CUSTOMER DWG NO.	***	D	1/1	AC	
	P.O. No.	***	EMERSON Process Management ROSEMOUNT®			
	S.O. No.	***	TITLE ROSEMOUNT 2051C COPLANAR PRESSURE TRANSMITTER			
PROJECT NAME	DR.	JLA	11/02/12	DRAWING NO.	02051-7710	
DO NOT SCALE PRINT	APPD	TW	3/4/14	DOC TYPE	SHEET 7 OF 10	

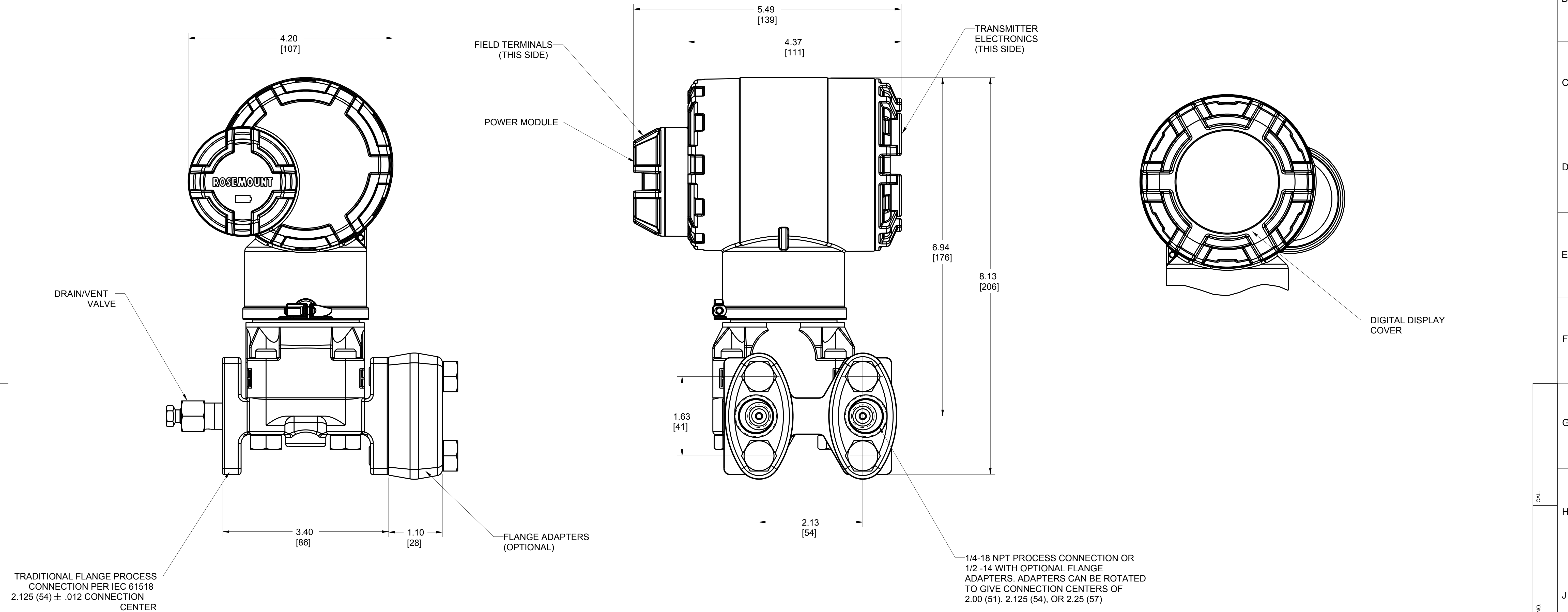
DRAWING NO. 02051-7710
 TAG NO. CAL.

ROSEMOUNT 2051C WIRELESS COPLANAR PRESSURE TRANSMITTER

TRADITIONAL FLANGE MOUNTING CONFIGURATIONS

OUTPUT CODE X
POLYMER HOUSING

SHOWN WITH OPTIONAL DIGITAL DISPLAY

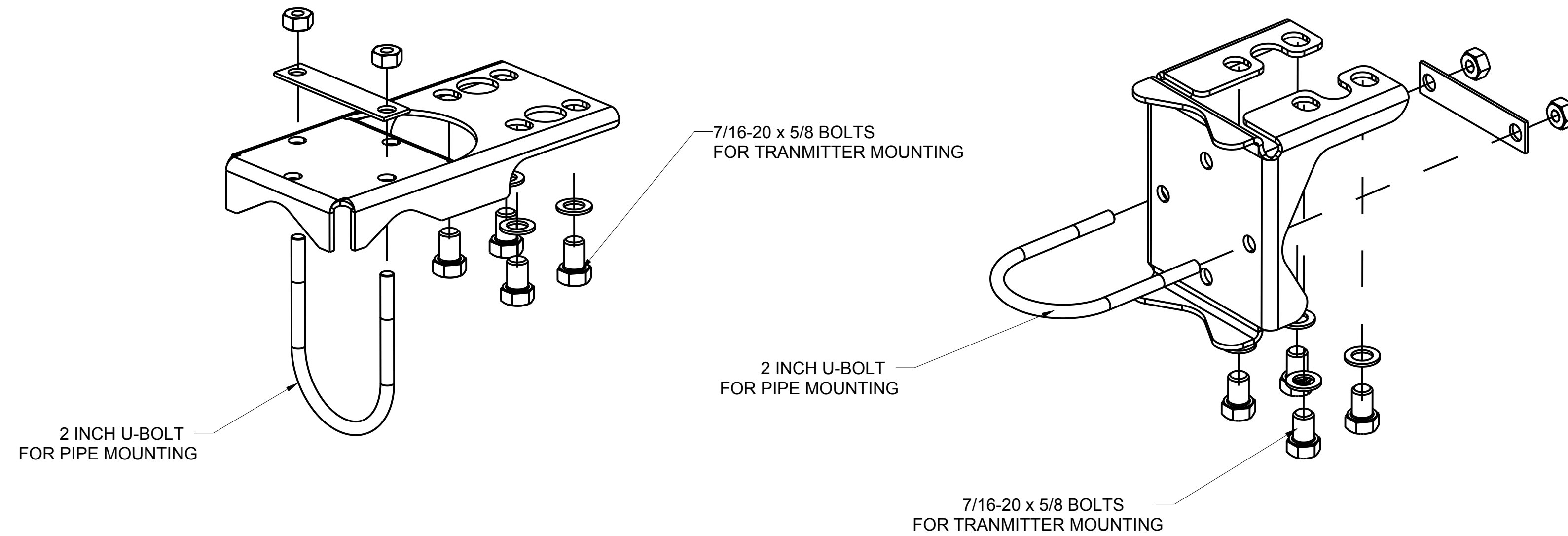
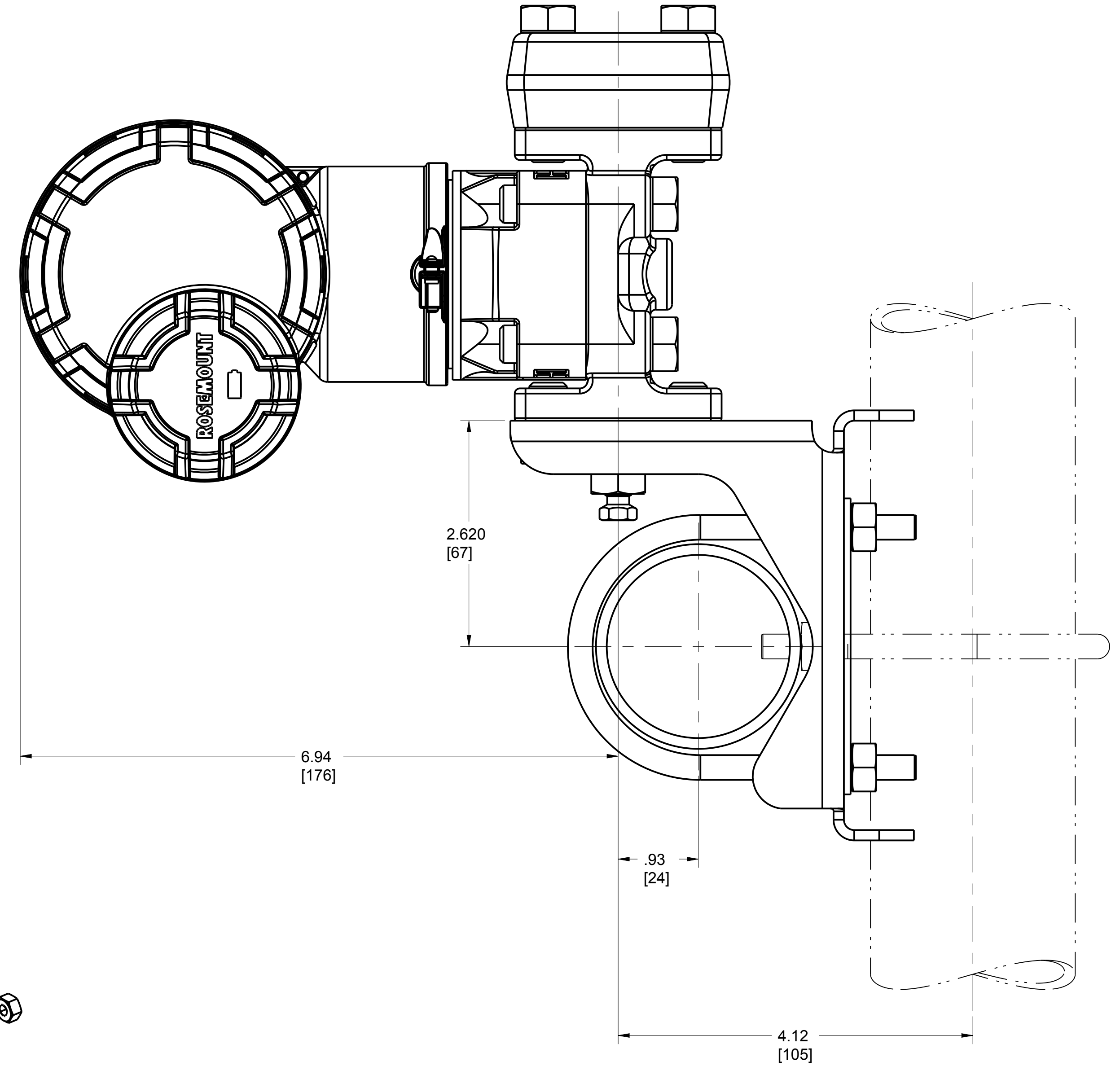
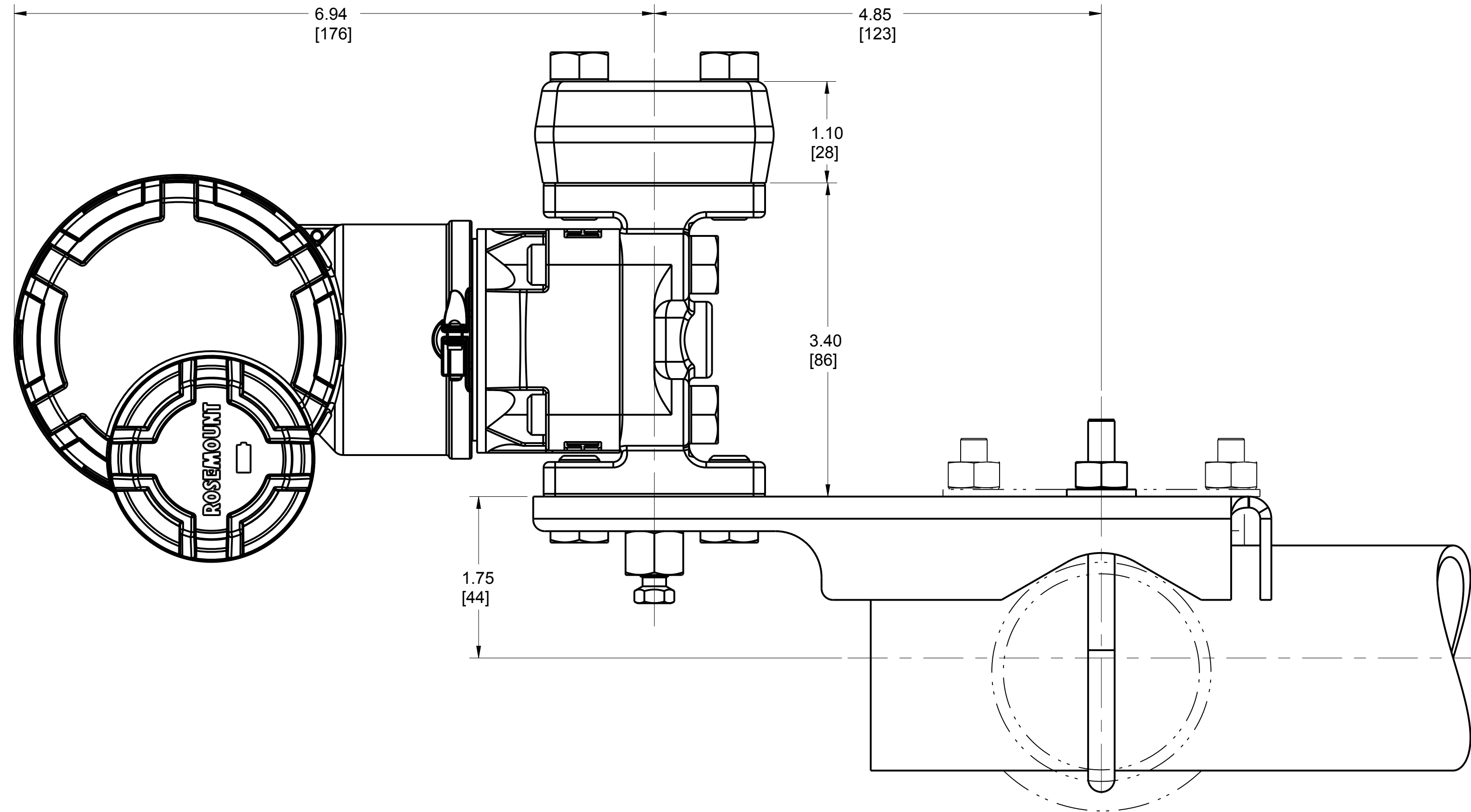


<small>UNLESS OTHERWISE SPECIFIED DIMENSIONS AND TOLERANCES CONFORM TO THE FIRST PRIORITY INFORMATION CONTAINED HEREIN AND MUST BE HANDLED ACCORDINGLY. EMERSON</small>	CUSTOMER	***	3RD ANGLE	SIZE	SCALE	REV
	CUSTOMER DWG NO.	***	D	1/2	AC	
	P.O. No.	***				
	S.O. No.	***				
PROJECT NAME	DR. JLA 11/02/12	DRAWING NO.	02051-7710			
	APPD TW 3/4/14					
DO NOT SCALE PRINT		CAD MAINTAINED, (PROE)	PRODUCT CODE	DOC TYPE	SHEET 8 OF 10	

DRAWING NO. 02051-7710 TAG NO. CAL.

ROSEMOUNT 2051C WIRELESS COPLANAR PRESSURE TRANSMITTER
 TRADITIONAL FLANGE MOUNTING CONFIGURATIONS

PIPE MOUNTING

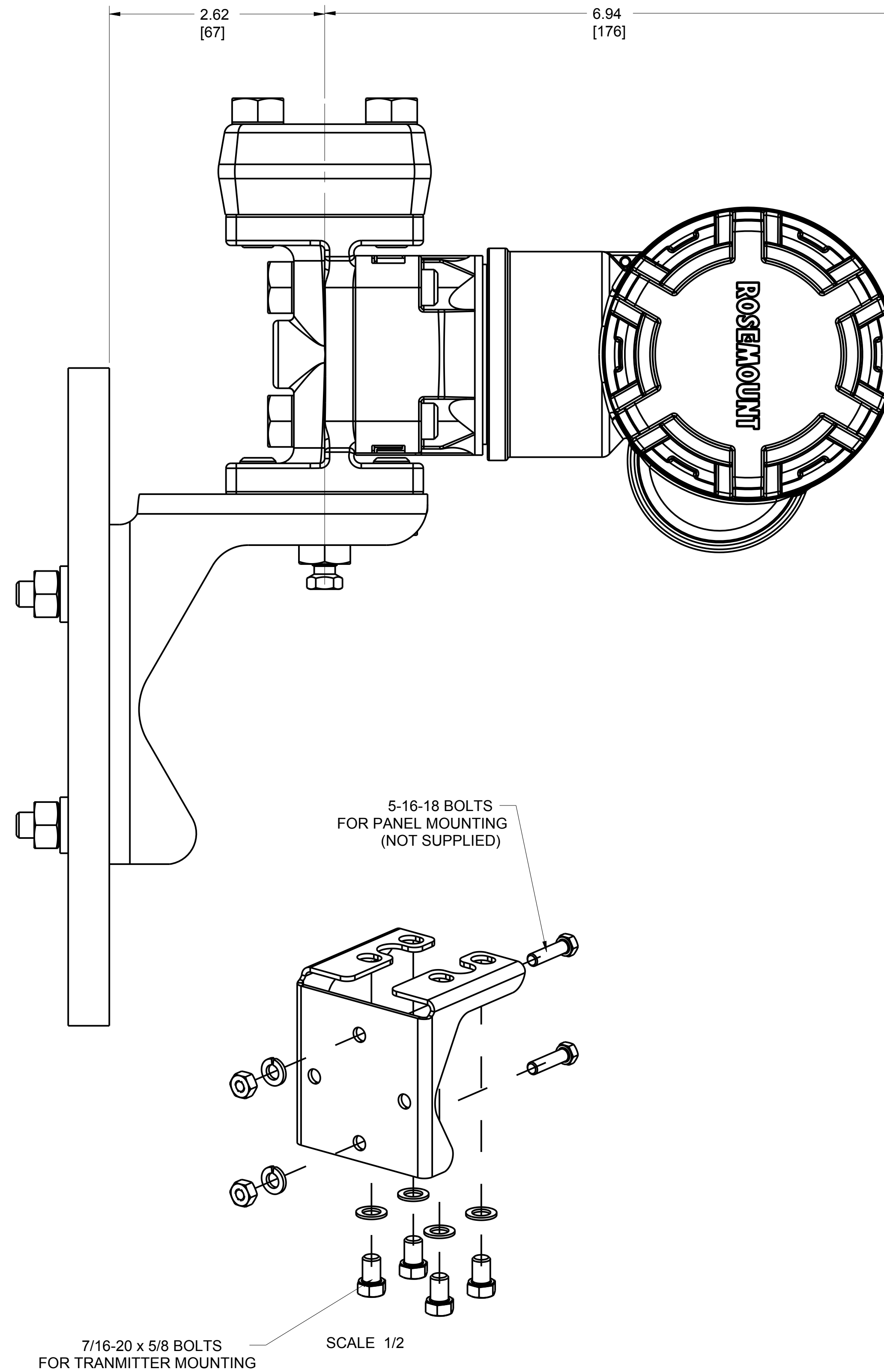


UNLESS OTHERWISE SPECIFIED DIMENSIONS AND TOLERANCES INFORMATION IS CONTAINED HEREIN AND MUST BE HANDLED ACCORDINGLY. EMERSON INFORMATION WITHIN THIS DOCUMENT IS UNCLASSIFIED NOTICE NOT INTENDED FOR REPRODUCTION OR DISTRIBUTION WITHOUT PERMISSION OF EMERSON FOR ENGINEERING INFORMATION	CUSTOMER	***	3RD ANGLE	SIZE	SCALE	REV
	CUSTOMER DWG NO.	***	D	1/2	AC	
	P.O. No.	***	EMERSON Process Management ROSEMOUNT®			
	S.O. No.	***	TITLE ROSEMOUNT 2051C COPLANAR PRESSURE TRANSMITTER			
PROJECT NAME	DR.	JLA	11/02/12	DRAWING NO.	02051-7710	
	APPD	TW	3/4/14			
DO NOT SCALE PRINT	CAD MAINTAINED, (PRO/E)	PRODUCT CODE	-	DOC TYPE	-	SHEET 9 OF 10

TAG NO. 02051-7710
 DRAWING NO.

ROSEMOUNT 2051C WIRELESS COPLANAR PRESSURE TRANSMITTER
 TRADITIONAL FLANGE MOUNTING CONFIGURATIONS

PANEL MOUNTING



UNLESS OTHERWISE SPECIFIED DIMENSIONS AND TOLERANCES CONTAINED HEREIN ARE IN INCHES AND MUST BE HANDLED ACCORDINGLY. EMERSON	CUSTOMER	***	3RD ANGLE	SIZE D	SCALE 1/3	REV AC
	CUSTOMER DWG NO.	***				
P.O. No.	***					
S.O. No.	***	TITLE ROSEMOUNT 2051C COPLANAR PRESSURE TRANSMITTER				
PROJECT NAME	DR. JLA	11/02/12	DRAWING NO. 02051-7710			
	APPD. TW	3/4/14				
DO NOT SCALE PRINT	CAD MAINTAINED, (PRO/E)	PRODUCT CODE	DOC TYPE	SHEET 10 OF 10		

TAG NO. 02051-7710
 DRAWING NO.